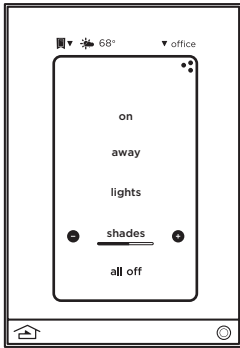



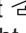
**EQ41TB-TI / EQ41TB-NI • Les Numéros de Catalogue • Los Números de Catálogo:**

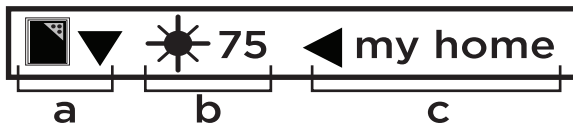
Country of Origin: Made in China • Pays d'origine: Fabriqué en Chine • País de origen: Hecho en China


**OVERVIEW**

Vantage's Equinox 41 LCD Touchscreen has been designed to be located in the same space as a traditional keypad, installed in a single gang wall box. Vantage's Equinox 41 uses self discovering widgets, eliminating countless hours of tedious programming. Navigate and control, with real time feedback. Widgets may be further personalized or additional controls setup directly on the touchscreen, by selecting the top right side of each widget and moving to additional screens of control and/or setup preferences. The interface uses intuitive gestures; swipe left and right to change widgets, touch and release for normal button operation, or press and hold for dim-cycle, volume controls, etc.

**FEATURES AND OPERATION OVERVIEW**

- Vertical screen orientation displays one widget per page.
- Equinox platform provides built-in widgets using Vantage proprietary auto discovery widgets for fast automatic screen design.
- Equinox 41 incorporates Vantage's consistent user experience interface. In-wall touchscreens, tablets and smart phones use the same user interface.
- Power over Ethernet, PoE or PoE+.
  - PoE optional Ethernet 4 Port PoE Injector part number DA2400
- Communicates over Ethernet, via Vantage Ethernet bus.
- Firmware upgradeable over Ethernet from Design Center.
- Built-in ambient light sensor for "Active," AUTO mode screen brightness.
- Built-in proximity activation, 6" maximum, may be programmed to execute a task with a hand wave across front of station.
- Dual operation mechanical buttons, bottom left and right;
  - Left  navigates to home screen,
  - Right  may be programmed with a task from Design Center.
- Profiles; show/hide available widgets and other personal settings:
  - Show or hide widgets\*, settings are unique to the current profile selected.
  - Create profiles for different areas, users, time of day, etc. in a project.
- \*NOTE: Available widgets are dependent on system design and drivers used in the Design Center project.
- Top of screen displays:
  - (Left-a) icon, touch for vertical ribbon list of widgets.
  - (Left-b) icon for current weather conditions and temperature, via Vantage weather service,
  - (Right-c) selected profile. Touch to enter Settings, select another profile, or select another home.



- Main screen automatically displays Widgets (order may be changed in profile/settings directly from the App).
- - Widgets (based on Design Center project file):

• Scenes	• Weather	• Cameras
• Music	• Timers	• Shades
• Video	• Lighting	• Pool and Spa
• Climate	• Security	• More coming

- Raise/lower dimmable loads and volume control via **minus/plus (-/+)** graphical buttons.
- Graphical icons and text color track load status; orange = ON and white = OFF.
- Press and release the upper right section on each widget for additional control and/or personalization.

## FEATURES AND OPERATION OVERVIEW (continued)

- Access screen settings - touch profile name (upper right).
  - Select Profiles
  - Select Settings
    - Edit Dashboard
    - Edit Options
  - Supported Languages (see right):
 

• Arabic	• French	• Japanese	• Portuguese
• German	• Hebrew	• Korean	• Russian
• English	• Italian	• Dutch	• Chinese (simplified)
• Spanish			
  - Edit Device
  - Edit Profiles
- Station Reset – simultaneously press and hold both mechanical buttons for about three seconds.
- Station reset into **Service Mode** – simultaneously press and hold both mechanical buttons for 10 seconds.
  - Service mode is automatically used when updating firmware from Design Center.
  - If the application code is corrupt it may cause the screen to lock, preventing Design Center from updating or reloading the firmware. Use this option to reboot the screen to service mode allowing Design Center to update the corrupted firmware.
  - To manually exit *Server Mode* use the *Station Reset* option (above)

## SPECIFICATIONS

Description	Specification
Dimensions, HWD (at wall surface)	4.9" x 3.44" x 0.44" (124mm x 87mm x 11mm)
Dimensions, HWD (overall)	4.9" x 3.44" x 1.1" (124mm x 87mm x 28mm)
Finished Weight	8.8 oz. or 249.5g
Power	Ethernet with PoE, PoE+, 5W
Wiring Connections	Communication and power: PoE/PoE+ via Ethernet RJ45
Surge Suppression	Yes
Maximum Gangs	Single gang only
LCD Button Status	Automatic (white = off, orange = on)
Mounting	US/European style, single gang, wall boxes or low-voltage brackets
Addressing	Self-addressing through software
Finish	Trim: Titanium (TI), Nickel (NI) Touchscreen: Black Glass
Glass Surface	Chemically strengthened
Ambient Operating Temperature	32-95°F (0-35°C)
Ambient Operating Humidity	5-95% non-condensing
Compliance	UKCA, CE, FCC, EN 55032, EN 55035, EN 61000-3-2, EN 61000-3-3, EN 50130-4

### WIDGETS OVERVIEW

For detailed information about all widgets and other profile and settings screens, click on the file link to load Widget Instructions:  
 LINK: [Equinox Widgets\\_install.pdf](#)

### SYSTEM REQUIREMENTS

Equinox 41 is compatible with InFusion Design Center version 3.3 software or higher. For new projects it is recommended that firmware and software be kept to the most current release.

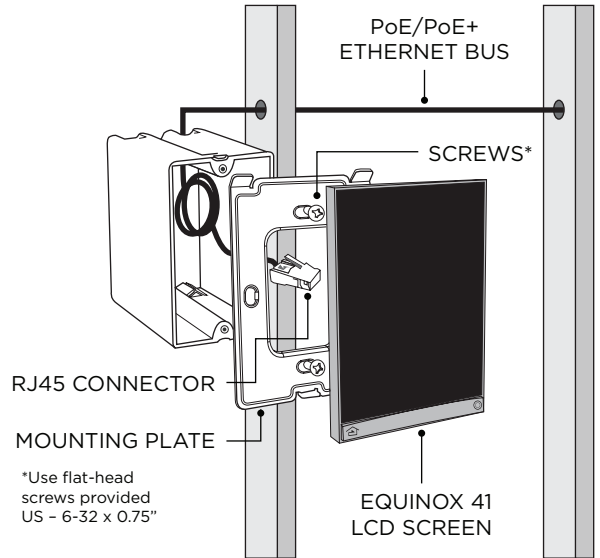
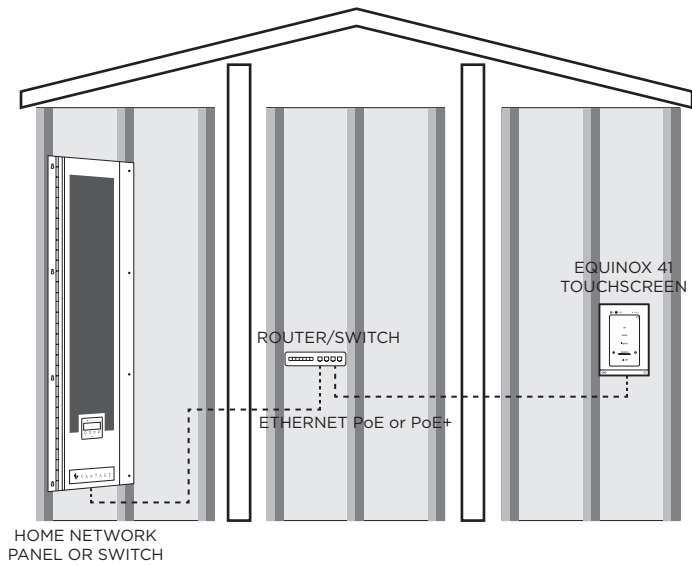
### INSTALLATION

Installation of Vantage products should be performed or supervised by a Certified Vantage Installer. The Vantage Equinox 41 Touchscreen installs into US/European style, single gang, wall boxes or low-voltage brackets. Connect to local network via PoE/PoE+ RJ45 Ethernet connection.

## EULA

"In order to enhance the security of our products, Legrand ships its products with all insecure ports closed and insecure protocols disabled. You are free to configure your device as needed, but in doing so note that you may be decreasing the security of your device and any information contained in the device. As you modify the device's default settings, keep in mind how this may impact the security of the device and your network. In addition, you should use caution in connecting your device to the Internet, especially if you have altered the default security settings. If you have any questions or concerns about how your modifications of the device may affect its security, please contact the Legrand customer service team at 1-800-879-8585 / <https://www.legrand.us/contact-and-support>"

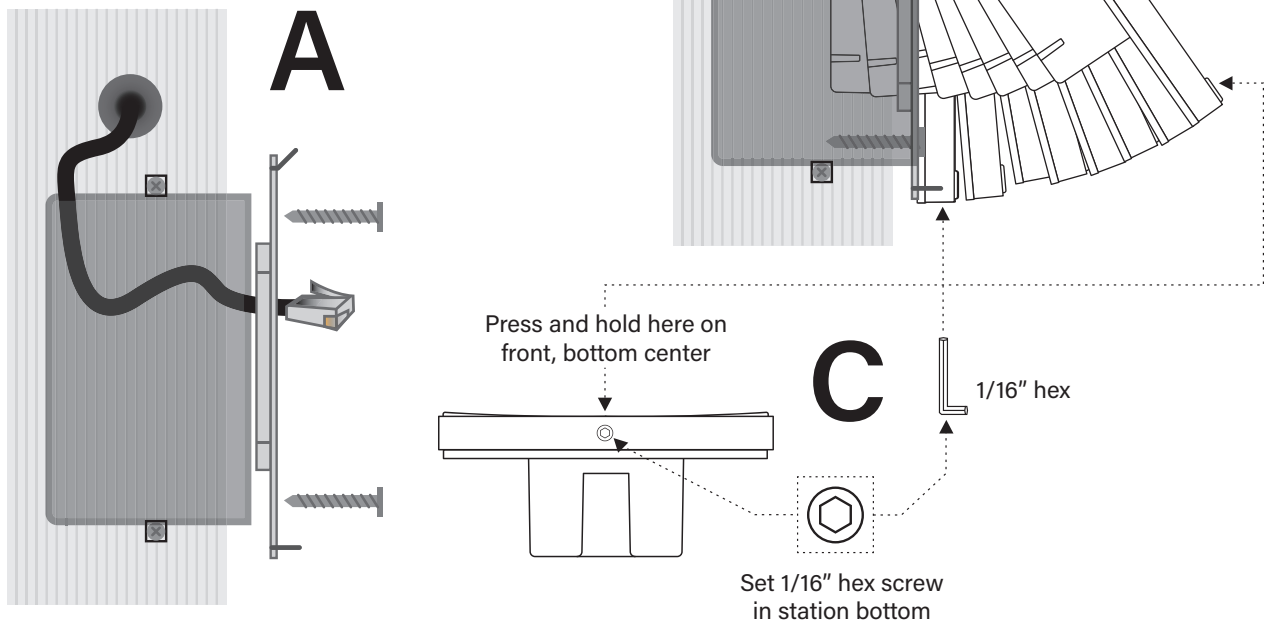
## INSTALLATION OVERVIEW



**\*Ethernet Bus:** Power and communication; Ethernet, PoE or PoE+, (Optional) - Ethernet PoE Injector  
For more information contact: <https://www.legrand.us/contact-and-support>

## STATION INSTALLATION STEPS

1. Run PoE Ethernet bus to single-gang box
2. Install mounting plate with screws provided (figure A)
3. Connect RJ45 to station
4. Install station by rotating (figure B) and connecting the top first. Press station in and hold on bottom center while securing the hex screw with provided allen wrench (figure C)



## CONFIGURATION

1. Connect PoE Ethernet Bus
2. Highlight station in Design Center; click **Configure Stations**
  - In **Settings | System Preferences | General Preferences**, make sure **Exclude Ethernet Bus when configuring stations** is not checked
3. When station displays **configure mode, touch to configure**, tap station - **OR** -
4. The station may also be configured by typing the serial number in the project file. Using this method the station will be configured when the system is programmed.

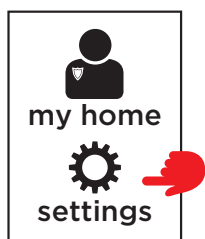
## DEVICE AND INFO SETTINGS

Device settings are accessed through the **Profile** pages

**NOTE:** Changes on the **device** page are specific to the device and are not part of any profile setting.



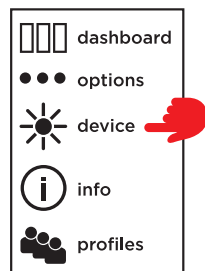
1. Press the profile button, **my home**, upper right, in this example



2. Press the **settings** button on the next screen

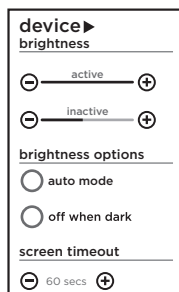


3. The first time **settings** is pressed, the screen will go to the dashboard edit screen. Press **dashboard**, upper left, to open the **settings** menu



4. Select the **device** option from the settings menu

**NOTE:** The other pages are covered in the [Equinox Widgets\\_install.pdf](#) installation sheet and in [Design Center Help](#)

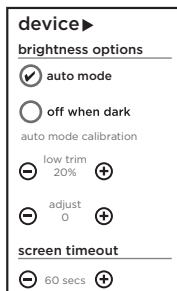


5. **NOTE:** The first time the controller is programmed, the Equinox 41 device should use the brightness settings specified in the Equinox Widget Styles object in Design Center. Subsequent system downloads depend on whether or not the Read and Restore – Equinox Profiles and User Data is checked. When checked, it will retain the brightness settings on the device. When unchecked, it will use the brightness settings specified in the Equinox Widget Styles object in Design Center.

The **device** screens are accessed by swiping up or down to see all **device** settings.

### **brightness**

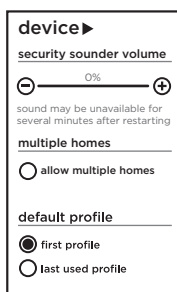
- Press the plus or minus buttons to set the active brightness level. The active brightness level is used when interacting with the touchscreen.
- Press the plus or minus buttons to set the inactive brightness level. The inactive brightness level is used when the touchscreen is not in use and the screen timeout setting has expired.



**brightness options**

- auto mode** – uses ambient light to enhance the screen’s brightness level in active mode.
- auto mode calibration** – the settings only appear when auto mode is selected.
- low trim** – (range 1% to 25%) if screen is too dim when used in a dark room, increase the low trim setting and conversely when screen is too bright.
- adjust** – (range, -5 to +5) if screen is too dim when used in a moderately lit room, increase the adjust setting and conversely when screen is too bright.
- off when dark** – when ambient light is very low and the screen has entered inactive mode, the screen’s illumination turns off saving power.
- screen timeout** – adjusts from 1 to 10 minutes (60 to 600 seconds).

**NOTE:** Adjustments take a few seconds for the screen brightness to change. This delay action is deliberate to avoid sudden changes in screen brightness.



**6. Scroll down to the next device screen for:**

- security sounder volume** – set security sound level from 0% to 100% - sound is on the Equinox security pad display.
  - multiple homes** – Selecting multiple homes allows this device to connect to more than one home
- NOTE:** *multiple homes* is covered in Design Center Help.

- default profile** –
- security sounder volume** – When the device is reset, (power outage, etc.) this selects whether the first (enabled) profile in the profile list or the last (enabled) used profile is active when the screen boots.



**7. Scroll down to the bottom of device screen:**

- network settings** – select dhcp or static\*, see below if static is selected.
- reset user settings / reload:** - This will reload, (replace) **all** of the devices information from the controller.

**static**

- ip address - xxx.xxx.xxx.xxx
- netmask - xxx.xxx.xxx.xxx
- default gateway - xxx.xxx.xxx.xxx
- dns server - xxx.xxx.xxx.xxx

Click **save** when IP information is completed

Scroll left to the *info* screen



**device information**

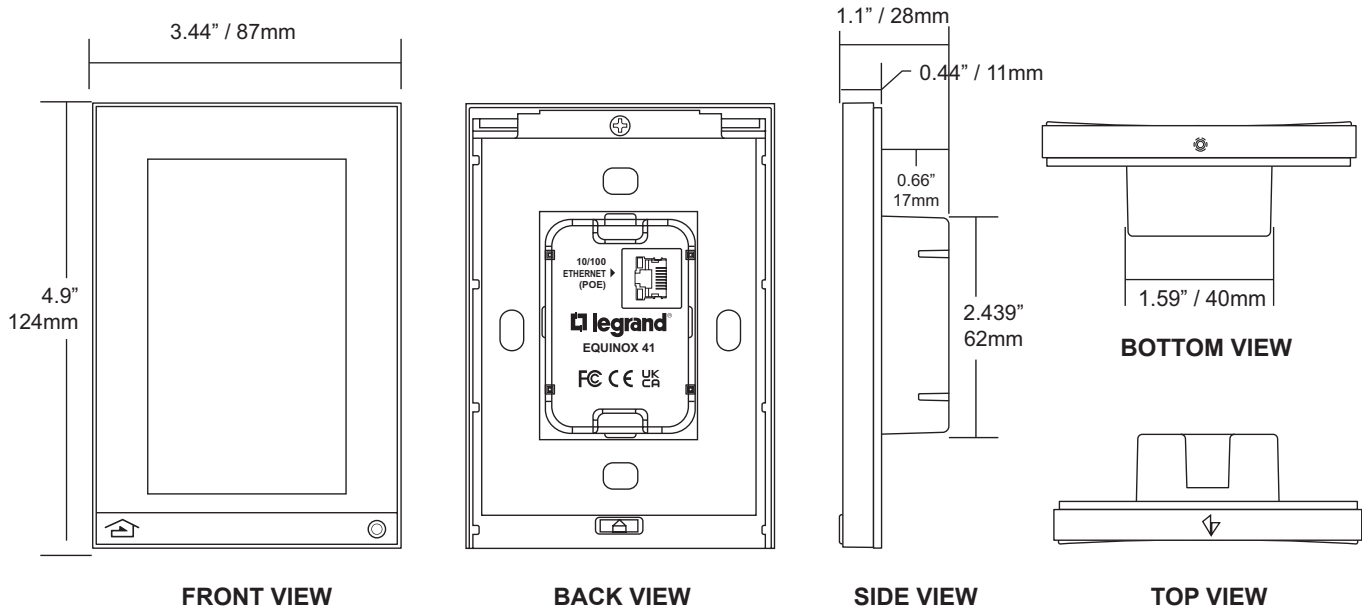
- ip address - xxx.xxx.xxx.xxx
- part number: xxxxxx
- serial number: xxxxxxx
- app version: xx.xx.xx (used in diagnostics)
- kernel version - version and date (used in diagnostics)
- rootfs version - xx.xx.xx (used in diagnostics)
- up to time: x day(s) x:xx



**controller information**

- controller ip - xxx.xxx.xxx.xxx
- controller firmware: x.X.x.x
- connection location: local
- connection mode: multicast

## MULTI-VIEW LINE DRAWING



### CLEANING

- Dampen a soft cloth in water and wring-out to barely damp
- Use a light buffing motion to wipe clean
- Do not take the station apart
- **Never** spray station with any cleaners

**NOTE:** Please reference local and NEC codes for appropriate electrical and communication install methodology.

### MOUNTING PLATE

Use flat-head screws provided to mount the mounting plate.  
Do not bend mounting plate.



**CAUTION:** Pan head screws will not allow the station to fit snugly to the wall and may damage electronics. Use screws supplied: 2 each: US: VHC-01090-SCREW, 6-32 x 0.75" P-FH, ZINC



### WARRANTY INFORMATION

Vantage warrants its products to be free of defects in materials and workmanship for a period of five (5) years. There are no obligations or liabilities on the part of Vantage for consequential damages arising out of, or in connection with, the use or performance of this product or other indirect damages with respect to loss of property, revenue or profit, or cost of removal, installation or reinstallation.

### INFORMATIONS RELATIVES À LA GARANTIE

Vantage garantit que ses produits sont exempts de défauts de matériaux et de fabrication pour une période de cinq (5) ans. Vantage ne peut être tenu responsable de tout dommage consécutif causé par ou lié à l'utilisation ou à la performance de ce produit ou tout autre dommage indirect lié à la perte de propriété, de revenus, ou de profits, ou aux coûts d'enlèvement, d'installation ou de réinstallation.

### INFORMACIÓN DE LA GARANTÍA

Vantage garantiza que sus productos están libres de defectos en materiales y mano de obra por un período de cinco (5) años. No existen obligaciones ni responsabilidades por parte de Vantage por daños consecuentes que se deriven o estén relacionados con el uso o el rendimiento de este producto u otros daños indirectos con respecto a la pérdida de propiedad, renta o ganancias, o al costo de extracción, instalación o reinstalación.