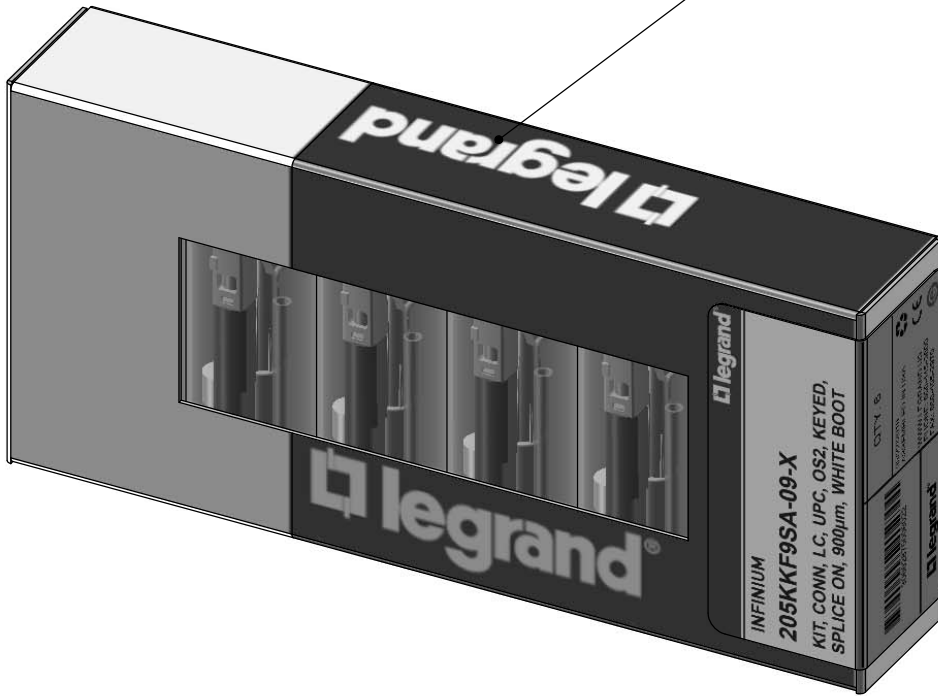


NOTES, UNLESS OTHERWISE SPECIFIED:  
 1. ALL DIMENSIONS ARE IN INCHES.

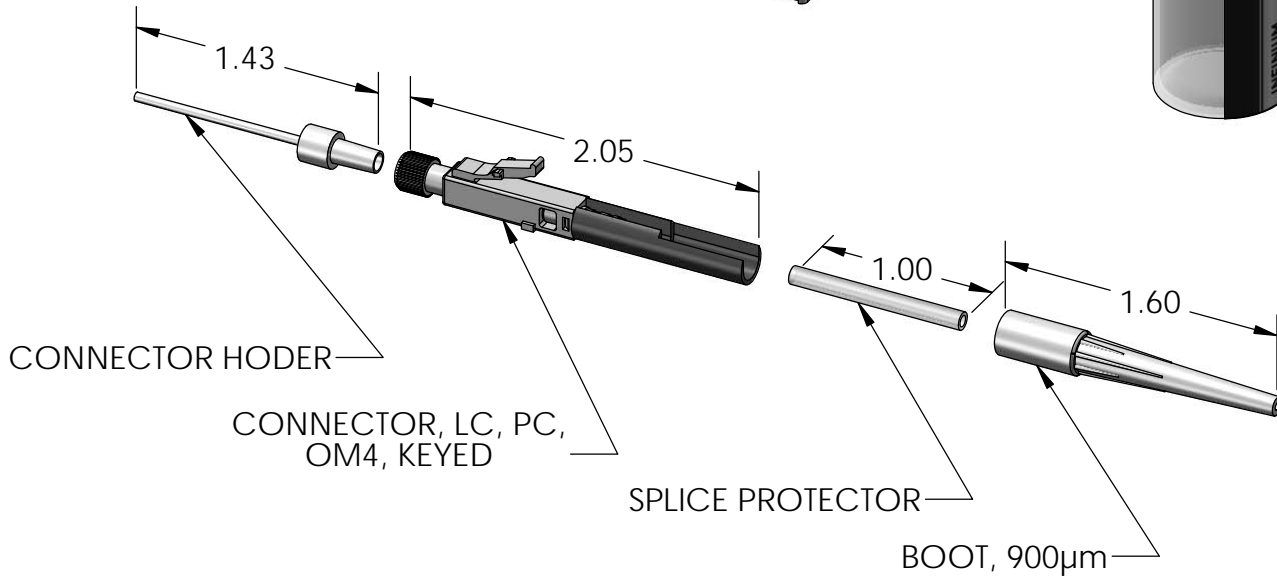
KEYING

-X	COLOR
A	ROSE
B	WHITE
C	YELLOW
D	RED
E	ORANGE
F	VIOLET
G	GRAY
H	BLUE
J	BROWN
K	AQUA
L	MAGENTA
M	GREEN
U	BLACK

BOX OF 6



INDIVIDUAL CONTAINER



\*\*\* NOTICE \*\*\*  
 THIS DOCUMENT CONTAINS CONFIDENTIAL AND/OR PROPRIETARY INFORMATION INTENDED FOR USE ONLY BY THE INDIVIDUAL(S) PROVIDED. NEITHER THIS DOCUMENT, NOR ANY INFORMATION CONTAINED HEREIN, MAY BE COPIED, DISTRIBUTED, DISCLOSED TO ANY THIRD PARTY OR USED IN ANY MANNER OTHER THAN FOR WHICH IT HAS BEEN PROVIDED, WITHOUT THE PRIOR WRITTEN CONSENT OF LEGRAND. MANUFACTURING RELEASE. PRODUCT SPECIFICATIONS AND STANDARDS ARE SUBJECT TO CHANGE WITHOUT NOTICE.



WWW.LEGRAND.US

TITLE

SOC,CONN,LC,OM4,900UM, KEYED

	NAME	DATE	SIZE	CAD FILE	DWG NO	REV
DWN	TK	5/22/2019	A	205KKF9SA09XC	205KKF9SA-09-X	00
CHK	RJG	5/22/2019	SCALE	1:1	SHEET	1 OF 1
APPR	RH	5/22/2019				