

Catalog Number • Numéro de Catalogue • Número de Catálogo: FS-PP

Country of Origin: Made in China • Pays d'origine: Fabriqué en Chine • País de origen: Hecho en China

SPECIFICATIONS



Power.....	120/277/347VAC, 60Hz
Relay Type.....	Form C with Zero Crossing on N.O. only
Output.....	70mA @ +24VDC with relay connected
Load Requirements	
@120VAC	5.0A (N/O), 3.0A (N/C), 1/6hp
@277VAC	4.3A (N/O), 2.5A (N/C), 1/6hp
@347VAC	3.4A (N/O), 2.0A (N/C)
Low Voltage Connections	RJ45 connection to FS sensors
.....	Control in, common, +24VDC
Line and Load Connections.....	12-18AWG screw terminals
Terminal Torque Rating.....	4.428 inch pound-force (0.5Nm)
Operating Temperature	32° to 131°F (0° to 55°C)
Dimensions.....	7.5" x 0.87" x 1.0" (190 x 22 x 25mm)

DESCRIPTION AND OPERATION

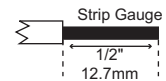
The FS-PP v2 power pack supplies low voltage power to FS series occupancy sensors and switches line voltage in response to control signals from the sensors. The FS-PP v2 is designed for installation inside the lighting fixture housing.

A 6' long cable fitted with a male RJ45 plug is supplied with each FS series 24VDC occupancy sensor. The FS-PP has a corresponding female RJ45 receptacle. This cable carries power to the sensor and lighting control signals to the power pack.

Each Watt Stopper FS-PP v2 can supply power for up to seven FS series low voltage sensors. FS-CK accessory kits are required to connect multiple sensor or multiple power pack wiring configurations. Wiring connected to the RJ45 is limited to an aggregate total of 100'.

High voltage connections should use at least 16 gage wire. Always check local building codes.

**High voltage wiring:
12-18 AWG, Cu Only**



INSTALLATION

**WARNING: TURN THE POWER OFF
AT THE CIRCUIT BREAKER BEFORE
INSTALLING THE POWER PACK**

1. Determine an appropriate mounting location inside the light fixture.
2. Use the holes or mounting slots at both ends of the power pack to secure it to the fixture.
3. Connect wires to load as described in the wiring section.
4. Connect wires to electrical supply as described in the wiring section.
5. Connect the RJ45 from the sensor to the RJ45 on the power pack.
6. Restore power from the circuit breaker.

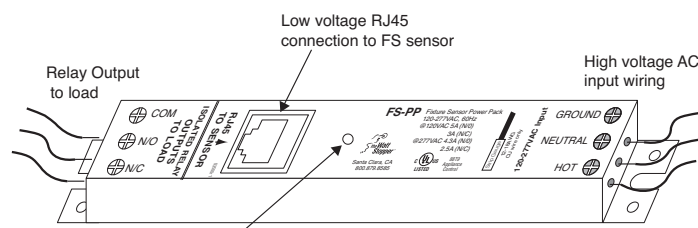


Fig. 1: FS-PP v2 wire connections and operation monitor LED

WIRING A SINGLE SENSOR

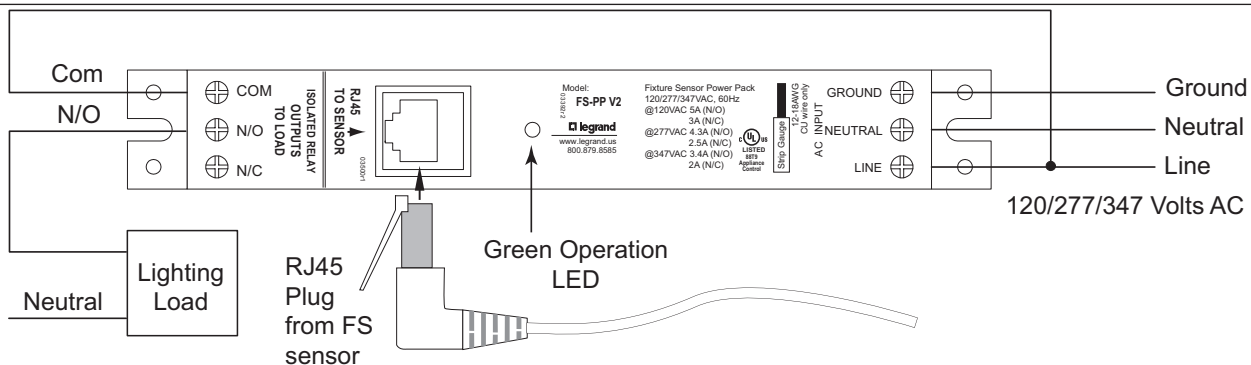


Fig 2: FS-PP v2 direct wiring to lighting load

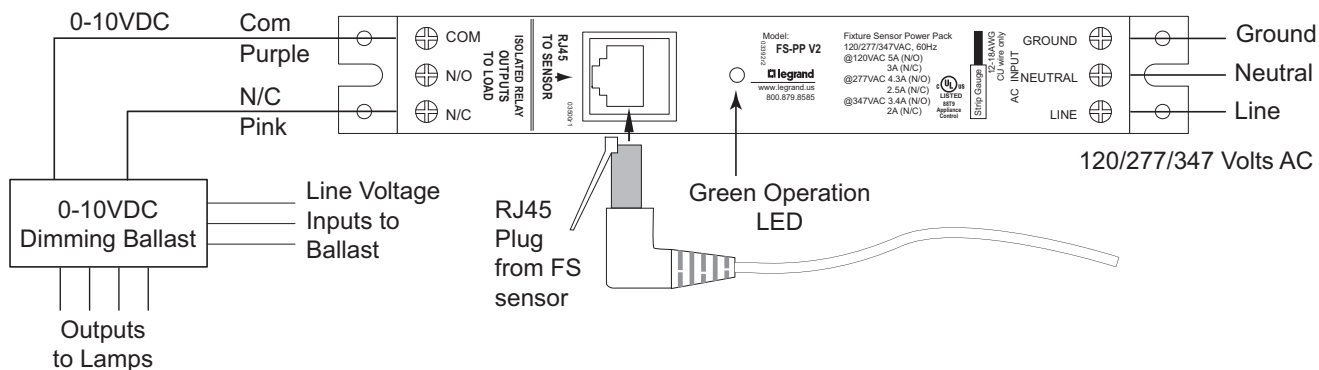


Fig 3: FS-PP v2 wiring to 0-10V dimming ballast

NOTE: Per UL, the 0-10V negative dimming wire color has been changed from gray to pink.

CONTROL CONFIGURATIONS

Standard connection between FS Sensor and FS-PP Power Pack

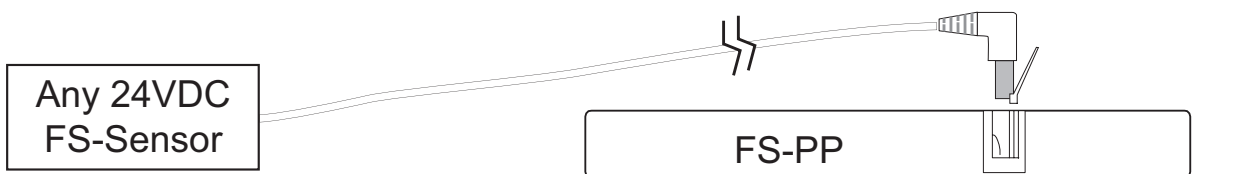


Fig 4: One sensor controlling one power pack

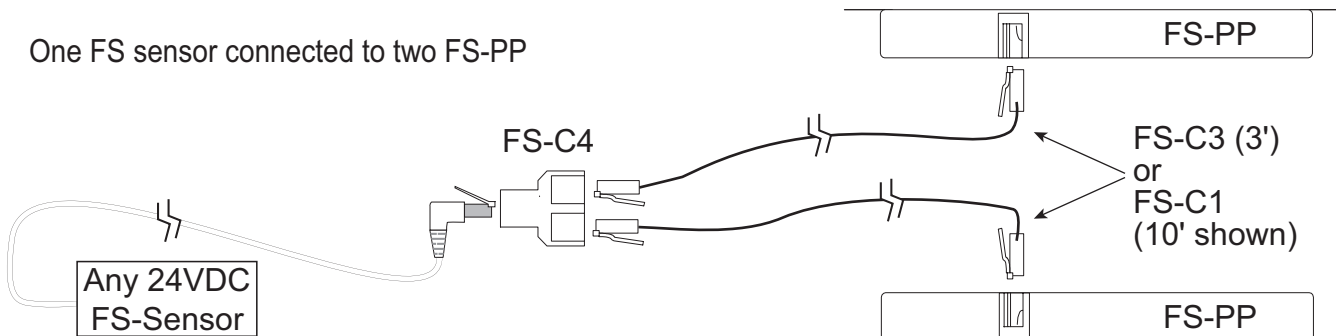


Fig 5: One sensor controlling Two Power Packs

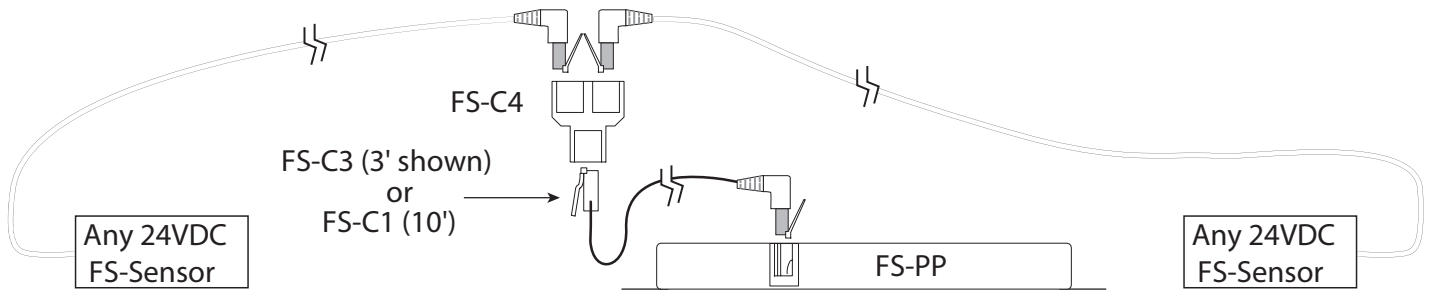


Fig 6: Two Sensors controlling One Power Pack

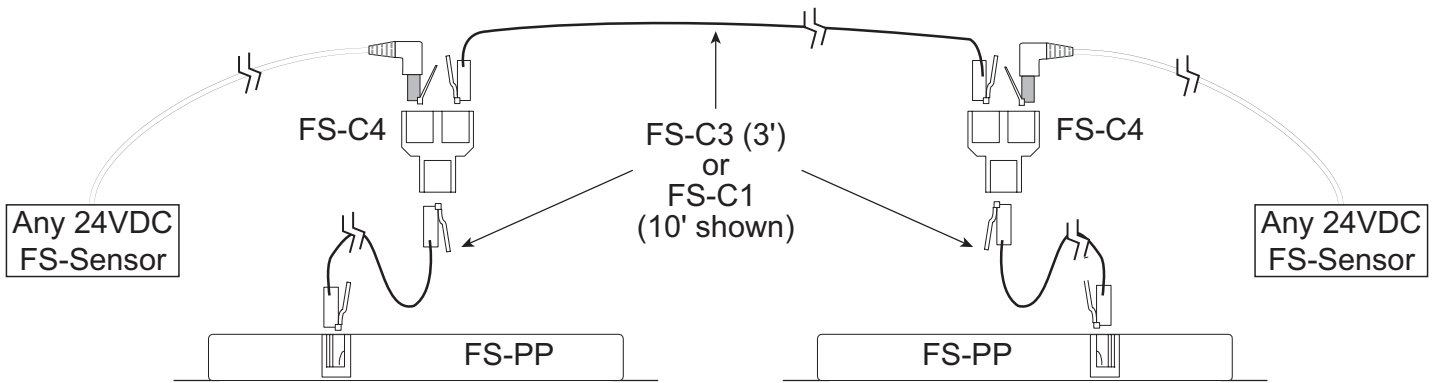


Fig 7: Two Sensors controlling Two Power Packs

TROUBLESHOOTING

Lights will not turn on:

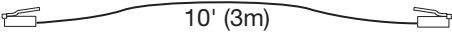


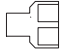

- Sensor LED does not flash:
 - Is green power pack LED on?
 - If yes, check RJ45 connections at sensor and power pack.
 - If no, check circuit breaker and wiring to power pack.
 - Check all wire connections.
- LED does flash:
 - Check all wire connections and verify the load wire is tightly secured.
- If lights still do not turn on, call 800.879.8585 for technical support.

Lights will not turn off:

The time delay can be set from 30 seconds to 30 minutes. Ensure that the time delay is set to the desired delay and that there is no movement within the sensor's view for that time period.

- To quickly test the unit for proper operation, turn the time delay to minimum and move out of the sensor's view. Lights should turn off after 30 seconds.
- If lights still do not turn off, call 800.879.8585 for technical support.

ORDERING INFORMATION

Catalog #	Description
FS-PP v2	Fixture Mount Power Pack: 120/277/347VAC, 60Hz with NO/NC Relay output
FS-105	Ceiling tile mount, low voltage PIR occupancy sensor with adjustable time delay and light level
FS-205	Fixture mount, low voltage PIR occupancy sensor with adjustable time delay and light level
FS-305	Fixture or Ceiling tile mount, low voltage PIR occupancy sensor, adjustable time delay
FS-405	Fixture mount, low voltage PIR occupancy sensor w/20' diameter coverage, adjustable time delay and light level
FS-505	Fixture mount, low voltage ultrasonic occupancy sensor
FS-505C	Same as FS-505, with directional cones
FS-C1	One 10' cable with a shielded RJ45 male connector at each end 
FS-C2	One 6" (152mm) cable with 3 flying leads at one end and a shielded RJ45 male connector at the other 
FS-C3	One 3' cable with a shielded 90° RJ45 male connector at one end and a shielded straight male RJ45 connector at the other end, for space-limited areas 
FS-C4	Shielded RJ45 splitter with female to dual female receptacles 
FS-C5	Shielded RJ45 male-to-male coupler 

Sensors and power packs are White.

WARRANTY INFORMATION

Wattstopper warrants its products to be free of defects in materials and workmanship for a period of five (5) years. There are no obligations or liabilities on the part of Wattstopper for consequential damages arising out of, or in connection with, the use or performance of this product or other indirect damages with respect to loss of property, revenue or profit, or cost of removal, installation or reinstallation.

INFORMATIONS RELATIVES À LA GARANTIE

Wattstopper garantit que ses produits sont exempts de défauts de matériaux et de fabrication pour une période de cinq (5) ans. Wattstopper ne peut être tenu responsable de tout dommage consécutif causé par ou lié à l'utilisation ou à la performance de ce produit ou tout autre dommage indirect lié à la perte de propriété, de revenus, ou de profits, ou aux coûts d'enlèvement, d'installation ou de réinstallation.

INFORMACIÓN DE LA GARANTÍA

Wattstopper garantiza que sus productos están libres de defectos en materiales y mano de obra por un período de cinco (5) años. No existen obligaciones ni responsabilidades por parte de Wattstopper por daños consecuentes que se deriven o estén relacionados con el uso o el rendimiento de este producto u otros daños indirectos con respecto a la pérdida de propiedad, renta o ganancias, o al costo de extracción, instalación o reinstalación.