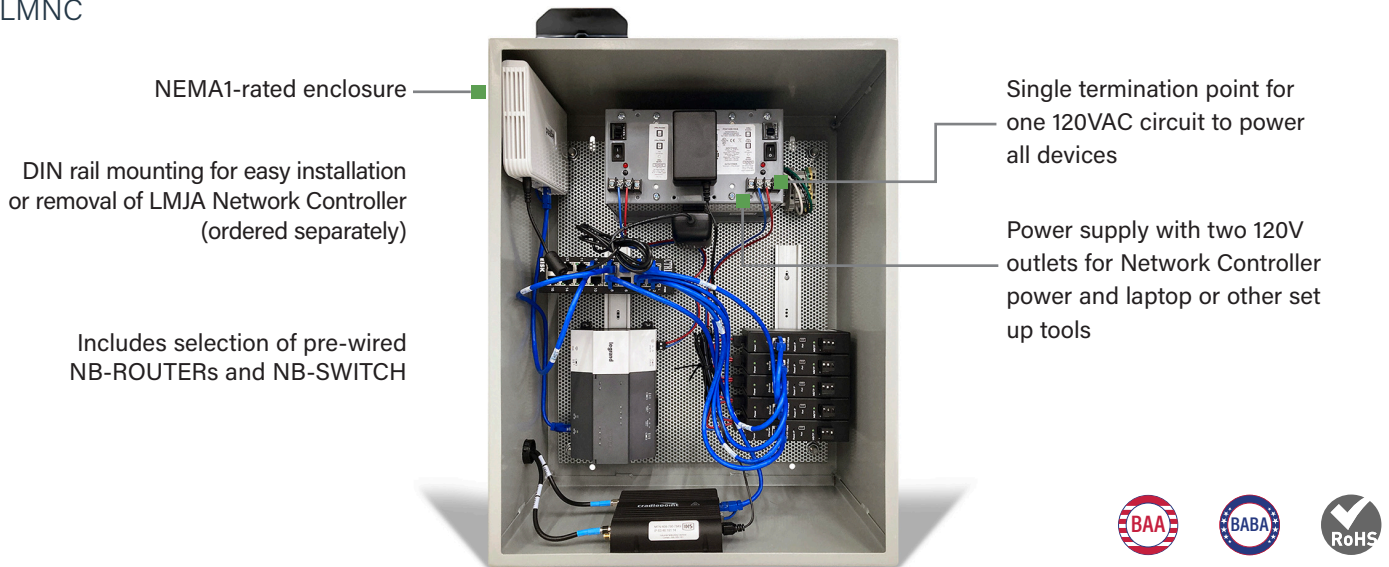


DLM NETWORK COMPONENT ENCLOSURE

LMNC



DESCRIPTION

The LMNC is a surface-mount NEMA1-rated enclosure with DIN rails for mounting DLM network components. Comes with hinged cover and provided empty (LMNC-MT) or with 1-9 installed routers. Based on the catalog number suffix, a specific number of NB-ROUTERS and an NB-SWITCH can be installed in the panel and pre-wired to a power supply. Two single outlets are provided on the power supply, one for connecting an LMJA Network Controller plug-in power supply, and a convenience outlet for a laptop or other technician required components.

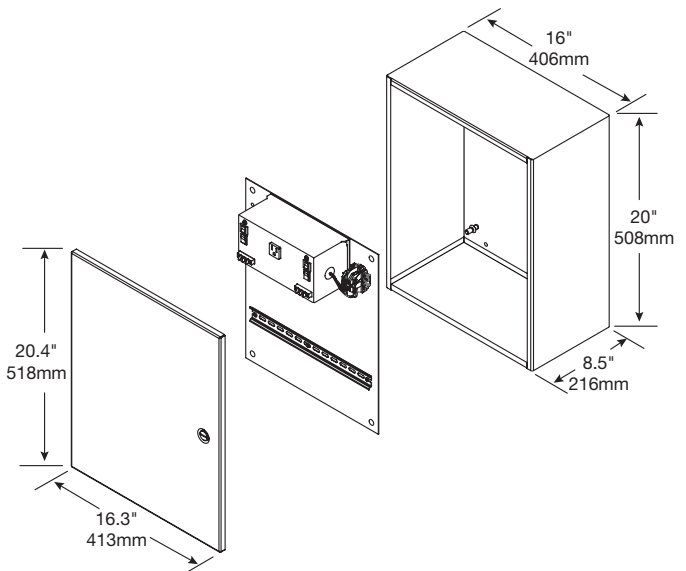
SPECIFICATIONS

- Single input terminal for 120VAC, 50/60Hz circuit
- 120 to 24VAC power supply
- DIN rails for mounting LMJA Network Controller (ordered separately), NB-ROUTERS, and selected NB-SWITCH
- Housing: NEMA1, 14 gauge steel, surface-mount enclosure with hinged locking cover; ANSI 61 gray paint finish
- UL/cUL Listed
- Five year warranty

APPLICATIONS

The LMNC allows the networking devices required for a large DLM installation to be mounted in a single enclosure. A DIN rail facilitates installation of an LMJA Network Controller (ordered separately). Components are mounted on a single removable backplate to simplify cabinet installation.

DIMENSIONS AND MOUNTING



Enclosure includes two pairs of mounting holes (top keyhole and bottom plain), spaced 11" apart.

PROJECT	LOCATION/ TYPE

ORDERING INFORMATION

Catalog #	Description	# of pre-installed NB-ROUTERS	Pre-installed NB-SWITCH type
<input type="checkbox"/> LMNC-MT	Network component enclosure with no routers or switches	none	n/a
<input type="checkbox"/> LMNC-3	Network component enclosure with 3 routers, 8-port switch	3	NB-SWITCH-8
<input type="checkbox"/> LMNC-4	Network component enclosure with 4 routers, 8-port switch	4	NB-SWITCH-8
<input type="checkbox"/> LMNC-5	Network component enclosure with 5 routers, 16-port switch	5	NB-SWITCH-16
<input type="checkbox"/> LMNC-6	Network component enclosure with 6 routers, 16-port switch	6	NB-SWITCH-16
<input type="checkbox"/> LMNC-7	Network component enclosure with 7 routers, 16-port switch	7	NB-SWITCH-16
<input type="checkbox"/> LMNC-8	Network component enclosure with 8 routers, 16-port switch	8	NB-SWITCH-16
<input type="checkbox"/> LMNC-9	Network component enclosure with 9 routers, 16-port switch	9	NB-SWITCH-16
<input type="checkbox"/> LMNC-0-5	Large network enclosure with no router, 5-port switch	none	NB-SWITCH
<input type="checkbox"/> LMNC-0-8	Large network enclosure with no router, 8-port switch	none	NB-SWITCH-8
<input type="checkbox"/> LMNC-0-16	Large network enclosure with no router, 16-port switch	none	NB-SWITCH-16
<input type="checkbox"/> LMNC-1-8	Large network enclosure with one router, 8-port switch	1	NB-SWITCH-8
<input type="checkbox"/> LMNC-1-16	Large network enclosure with one router, 16-port switch	1	NB-SWITCH-16
<input type="checkbox"/> LMNC-2-8	Large network enclosure with two routers, 8-port switch	1	NB-SWITCH-8
<input type="checkbox"/> LMNC-2-16	Large network enclosure with two routers, 16-port switch	2	NB-SWITCH-16
<input type="checkbox"/> LMNC-3-16	Large network enclosure with three routers, 16-port switch	3	NB-SWITCH-16
<input type="checkbox"/> LMNC-4-16	Large network enclosure with four routers, 16-port switch	4	NB-SWITCH-16
<input type="checkbox"/> LMNC-LG-KIT	Large network enclosure kit with configurable options	as configured*	as configured*

*LMNC-LG-KIT is configured using DLM Design Software (LMDS) or Wattstopper Quote Tool.
All LMNC models are compliant with the Buy American Act and Build America, Buy America Act