

# ANALOG PHOTOCELLS AND DLM INPUT INTERFACE

LMPO-200, LMPS-6000, LMIN-104

Module and selected photocell read light levels for exterior or interior applications

Works with LMJA segment manager or LMCP panel

Connects to segment network via DLM local network connection



DIN rail clamp allows mounting in LMCP Series panel

Works with a choice of photocells for exterior and skylight locations

## DESCRIPTION

The LMIN-104 input interface is an accessory for a networked Digital Lighting Management (DLM) installation that allows a DLM system to read ambient light levels for use in controlling exterior lighting or interior lighting installed in brightly daylight spaces such as atriums. When used in Photocell Mode, the LMIN-104 works in conjunction with either the LMPO-200 exterior or LMPS-6000 skylight photocells.

## OPERATION

The LMIN-104 operates on Class 2 power supplied to a DLM local network by one or more room controllers. It transmits light levels over the segment network as read from one of the optional remote analog LMPO or LMPS photocell sensors. The LMIN-104 converts the 0-10 VDC signal from the photocell sensor to a digital signal that is shared across the network. The segment manager is configured to control the lighting based on user-defined setpoints and time delay settings.

## NETWORK COMMUNICATION

The LMIN-104 can be installed on any DLM local network. The actual ambient light level as reported by the connected LMPO or LMPS photocell is communicated to the segment network via an LMBC-300 network bridge, and made available for use by an LMJA segment manager or BAS system. LMCP panels can read LMIN-104 footcandle levels directly.

## APPLICATIONS

The LMIN-104 with an LMPO-200 is an ideal solution for any application where exterior lighting needs to be controlled based on actual ambient exterior light levels such as parking, site and landscape lighting. Applications with large expanses of skylight, clearstory or atrium glazing are easily served by the LMIN-104 with an LMPS-6000. When controlling outdoor lighting, the photocell head is mounted on the roof of the building facing north. The LMPO-200 photocell head is waterproof and has a built in hood to shield the lens from direct sunlight. The LMPS-6000 photocell head is designed for direct exposure to extremely high light levels as would be present adjacent to the glass in an atrium, skylight or clearstory.

## FEATURES

- Available accessory photocell heads for exterior and skylight/atrium applications
- Available range from 1 to 6000 footcandles
- LMIN-104 includes two RJ45 ports with hinged dust cover
- Supplied with DIN rail adapter for Class 2 installation
- Ambient light levels are available to connected building automation system
- UL 2043 plenum rated
- This product meets the materials restrictions of RoHS

PROJECT

LOCATION/  
TYPE

## SPECIFICATIONS

### LMIN-104:

- Operating voltage: 24VDC from DLM local network
- Maximum current consumption: 20mA
- Class 2 connection terminals: 24VDC photocell supply,
- DLM local network connection: 2 RJ45 ports
- Removable terminal block for connections third party inputs
- Input ratings:
  - Input max. sink/source current: 1- 5 mA
  - Logic input signal voltage High: >18 VDC
  - Logic input signal voltage Low: < 2 VDC
- Operating conditions: for indoor use only; 32-104°F (0-40°C)
- Fits inside 4" x 4" j-box, 1-gang back box or 3" octagonal box; optional DIN rail mounting
- UL and cUL listed

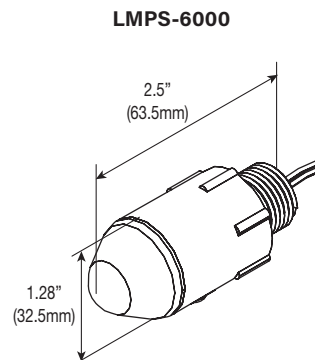
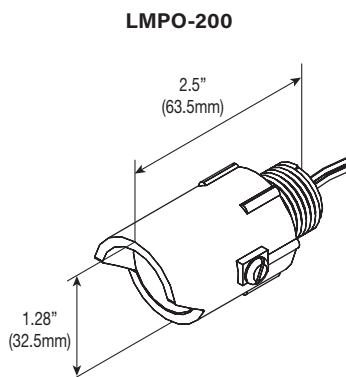
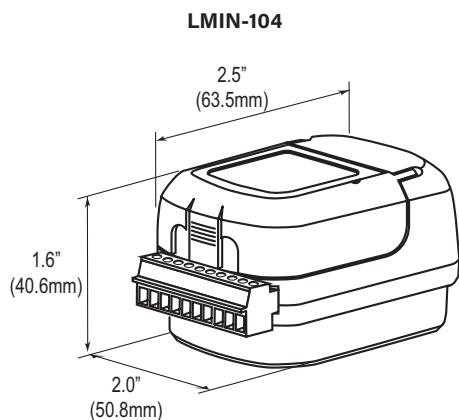
- FCC part 15 compliant
- Five year warranty

### Analog Photocells:

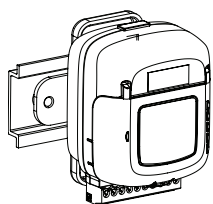
- Input voltage: 24 VDC, from LMIN-104
- Light level resolution:
  - LMPO-200: 0-200fc (0-2153 lux), 1fc/step
  - LMPS-6000: 0-6000fc (0-64583 lux), 24fc/step
- Mounting, ½" NPT x .69" threaded stem
- Housing, UV stabilized plastic
- Slew rate, one minute full scale response time
- Operating temperature: -40-140°F (-40-60°C)
- UL and cUL listed
- Five year warranty

## DIMENSIONS AND MOUNTING

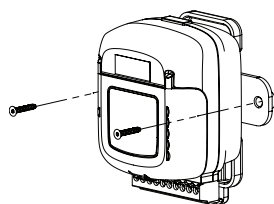
### Dimensions



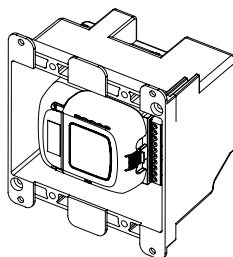
### Mounting Options



Mount on DIN Rail



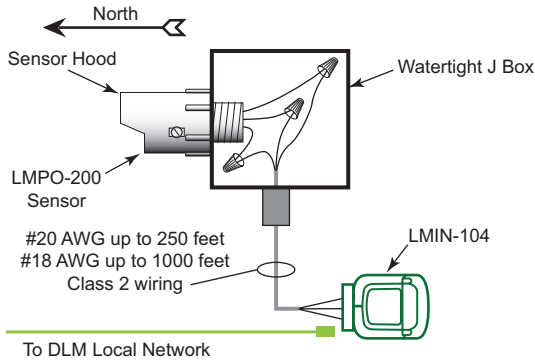
Mount to Wall



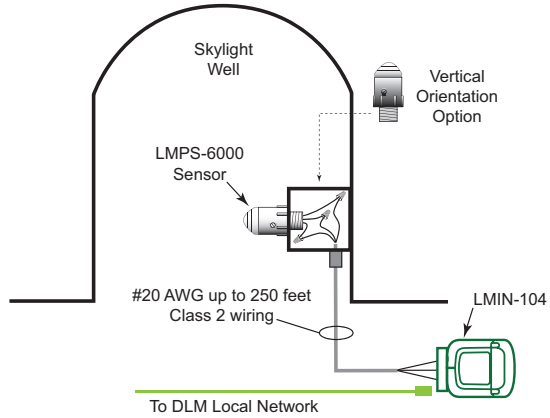
Inside a 2-gang J-box

## WIRING AND PHOTOCELL PLACEMENT

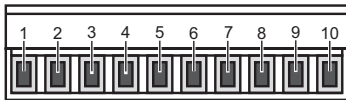
### LMPO-200 Outdoor Application



### LMPS-6000 Skylight Application

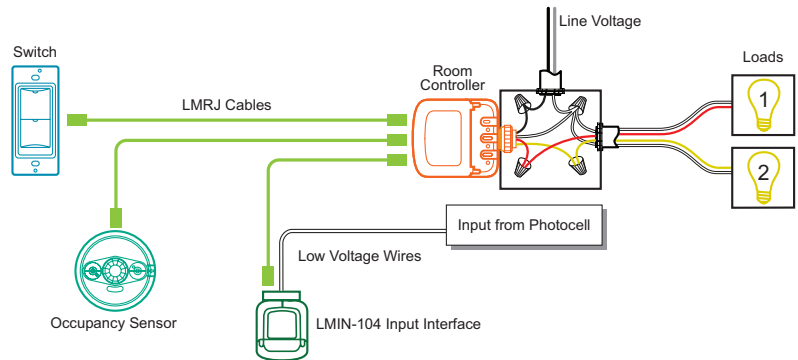


### LMIN-104 Terminal Block Wiring when in Photocell Mode



Position (L - R)	Default Setting
1	Not Used
2	Not Used
3	Not Used
4	Not Used
5	+24 VDC
6	+24 VDC
7	+24 VDC
8	+24 VDC
9	Ground
10	0-10V input (standard)

### Connection to DLM Network



## ORDERING INFORMATION

Catalog #	Description
<input type="checkbox"/> LMIN-104	Input Interface
<input type="checkbox"/> LMPO-200	Analog Exterior Photocell Accessory, 0-200 footcandles
<input type="checkbox"/> LMPS-6000	Analog Interior Photocell Accessory, 0-6000 footcandles

Note: Order LMIN-104 and either LMPO-200 or LMPS-6000.

33939r1 Rev 10/24