



Walker® Infloor Systems Raised Floor Box Cat. Nos. AF1 and AF2 INSTALLATION INSTRUCTIONS

Installation Instruction No.: IJ0100 R1 – Updated April 2003

Walker® electrical systems conform to and should be properly grounded in compliance with requirements of the current National Electrical Code or codes administered by local authorities.

All electrical products may present a possible shock or fire hazard if improperly installed or used. Walker electrical products may bear the mark as UL Listed and/or Classified and should be installed in conformance with current local and/or the National Electrical Code.

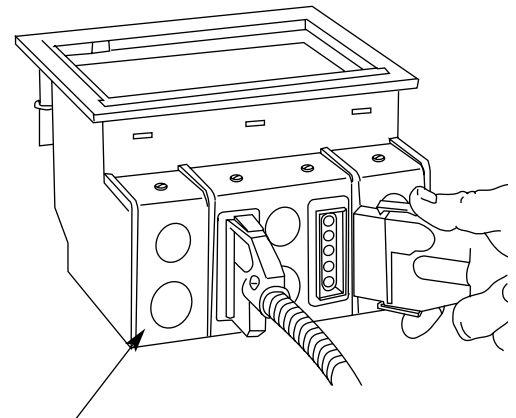
IMPORTANT: Please read all instructions before beginning.

NOTE: Products are suitable for use in air handling spaces in accordance with Sec. 300-22(C) of the National Electrical Code.

1. Prior to installing the Walker Raised Floor Box, an 8" x 6" [203mm x 152mm] (+1/16" - 0") opening must be cut or formed in the raised floor panel.
2. Carpet squares need to be laid in position if not pre-attached to the panel, and an 8" x 6" [203mm x 152mm] opening needs to be cut over the opening in the panel prior to pulling wires and cables to the box.
3. The Walker Raised Floor Box will accept up to four power devices or a combination of power and low voltage devices in its three compartments. The power and low voltage configurations must be determined.

Caution: Do not mix power and low voltage devices in the same compartment.

4. Due to the unique structure of the box, all wires and cables can be attached prior to attaching the unit to the raised floor panel and while the floor is in place. Wire and cables are pulled under the floor and brought out through the mounting hole.
5. Low voltage cables may be pulled through a bushing in one of the device plates, or may be attached to a device that is mounted to the box or a device plate. The back cover must be attached behind a compartment used for low voltage except in installations where the raised floor is not used as a plenum. Where required by local codes, connect conduit to the back cover. Type CMP communications plenum cable is required in raised floor plenums when wiring methods as described in NEC Article 300.22 are not followed.
6. a. **Field Wired Boxes – Cat. No. AF1:**
The power compartments of these boxes are to be field wired. Use only UL Listed receptacles. Feed enough flexible conduit to the hole in the panel to extend at least 18" [457mm] above the raised floor panel. Attach a conduit connector to the conduit. Remove the appropriate knockout from the back cover and attach the conduit connector. At least 9" [229mm] of wire should extend beyond the conduit connector. Wire the devices in accordance with the National Electrical Code and attach the back cover to the box. Mount devices to the box and install device cover plates.
- b. **Prewired Boxes – Cat. No. AF2:**
The boxes are prewired with Walkerflex® Prefabricated Modular Wiring System. Follow the installation instructions supplied with the Walkerflex System to connect the power cables to the box.



Back Cover Shown

-
7. After all the power and low voltage connections have been made, the box is ready to be inserted into the panel. The locking tabs should be adjusted below the box flange about 1/4" [6.4mm] greater than the thickness of the panel. The tabs are adjusted by turning the screws located just underneath the cover. The tabs should be turned towards the box prior to the insertion.
 8. Insert the back of the box through the hole and rotate the box so the back extends underneath the panel and lower the front flush with the panel.
 9. Once the box is in place, tighten the locking screws. The tabs will rotate outward and travel up the locking screws until they pull snug up against the underside of the panel.
 10. Take the 8" x 6" [203mm x 152mm] carpet blank remaining from the box opening, and cut a 7 1/4" x 4 7/16" [184mm x 113mm] blank and glue it in the top of the lid.
 11. When this box is not in service, the wire retainer should be installed (textured side up) to block off the cable exit. Otherwise, any exiting cables should be routed through the wire retainer prior to closing the lid.



The Wiremold Company

U.S. and International:

60 Woodlawn Street • West Hartford, CT 06110

1-800-621-0049 • FAX 860-232-2062 • Outside U.S.: 860-233-6251

Canada:

850 Gartshore Street • Fergus, Ontario N1M 2W8

1-800-741-7957 • FAX 519-843-5980

