



Wattstopper®

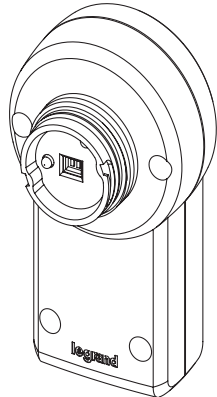
Low Voltage, Continuous Dimming, PIR Fixture Integrated Outdoor Sensor In IP66 Enclosure with Bluetooth wireless technology
 Basse Tension, Gradation Continue, Luminaire avec détecteur IRP extérieur intégré dans un boîtier IP66 avec Bluetooth sans fil
 Sensor PIR de bajo voltaje para luminarias de exterior, tipo IP66 con función de Atenuación Continua y con Bluetooth inalámbrica
 Installation Instructions • Instructions d'Installation • Instrucciones de Instalación

No: 25745 – 12/25 rev. 13

Catalog Numbers • Les Numéros de Catalogue • Números de Catálogo: FSP-301B, FSP-301B-S, FSP-301B-D

Country of Origin: Made in China • Pays d'origine: Fabriqué en Chine • País de origen: Hecho en China

SPECIFICATIONS



Voltage	12–32 VDC
Current Consumption	15 mA maximum
Wiring	20 AWG
Length	12" (30.5cm), 10" (25.4cm) for FSP-301B-D
Primary Voltage	+VDC, Com, Ctrl
Control Output	100 mA maximum
Dimming Voltage	Dim + (purple), Dim – (pink)
Operating Temperature	-40°F (-40°C) to 167°F (75°C)
Tightening Skirt/Nut Torque	25-30 in-lbs
Dimensions	
Collar	1.30" diameter (33.0mm)
Collar height	0.64" (16.3mm)
Body	5.7"L x 2.3"W x 3.5"H (145mm x 60mm x 90mm)
Weight	2.8 oz (80 g)
Enclosure	IP66 (NEMA STD)
Coverage	
FSP-L2 Lens @ 8' height	up to 44' diameter
FSP-L3 Lens @ 20' height	up to 40' diameter
FSP-L7 Lens @ 40' height	up to 100' diameter

Adjustments and Features	
High Mode	0 V – 10 V
Low Mode	0 V – 9 V, Disabled
Time Delay	30 seconds, 1 min – 30 min
Cut Off	Disable, 1 min – 59 min, 1 hr – 5 hr
Sensitivity	On-Fix, Off-Fix, Low, Med, High
Hold Off Setpoint	Auto, Disabled, 1–250 fc
Ramp Up	Disabled, 1 sec – 60 sec
Fade Down	Disabled, 1 sec – 60 sec
Photocell Setpoint for On/Off	Disabled, 1–250 fc
Continuous Dimming	Disabled, 0–250 fc

Factory Defaults	
High Mode	10 V
Low Mode	1 V
Time Delay	5 min
Cut Off	1 hr
Sensitivity	High
Hold Off Setpoint	Disabled
Ramp Up	Disabled
Fade Down	Disabled
Photocell Setpoint for On/Off	Disabled
Continuous Dimming	Disabled

DESCRIPTION AND OPERATION

The FSP-301B is an IP66 rated motion sensor that dims lighting from high to low based on movement.

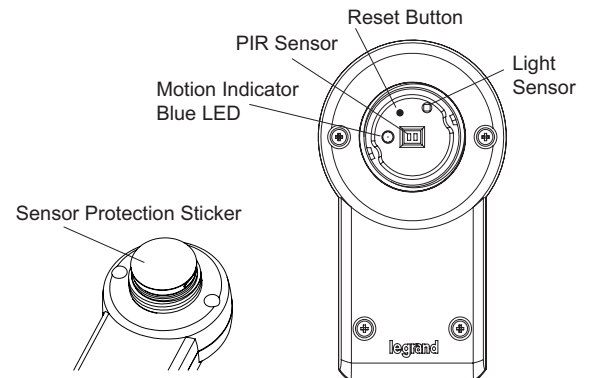
Three configurations are available. The FSP-301B mounts inside the fixture and the PIR lens connects to the FSP-301B through a 1.30" diameter hole in the bottom of the fixture. The FSP-301B-S mounts to a fixture/enclosure with a 1/2" knock out, via a nipple on the back. The FSP-301B-D has a drop mount nipple, for mounting on to a pole, or to a fixture.

The sensor uses passive infrared (PIR) sensing technology that reacts to changes in infrared energy (moving body heat) within the coverage area. Once the sensor stops detecting movement and the time delay elapses, lights will go from high to low mode and eventually to an OFF position if it is desired. Sensors must directly "see" motion of a person or moving object to detect them, so careful consideration must be given to sensor luminaire placement and lens selection. Avoid placing the sensor where obstructions may block the sensor's line of sight.

The FSP-301B has a photocell that can read the light level and continuously raise or lower the dimming level of the lighting loads, based on the ambient light and desired light level setting.

The FSP-301B operates at 12–32 VDC. It is designed to be installed in indoor and outdoor environments.

NOTE: When the FSP-301B is powered up the first time, it will use factory default parameters to operate. If adjustments are needed, the Sensor Configuration mobile app must be used.



NOTE: Remove Sticker before use

This device complies with Industry Canada licence-exempt RSS standard(s).

Operation is subject to the following two conditions: (1) This device may not cause interference, and (2) This device must accept any interference, including interference that may cause undesired operation of the device.

INSTALLATION

CAUTION

⚠ **WATTSTOPPER RECOMMENDS ADDING A 20KA SURGE SUPPRESSOR TO PROTECT THE FIXTURE, DRIVER AND FSP SENSOR.** ⚠

WARNING

⚡ **TURN THE POWER OFF AT THE CIRCUIT BREAKER BEFORE INSTALLING THE SENSOR.** ⚡

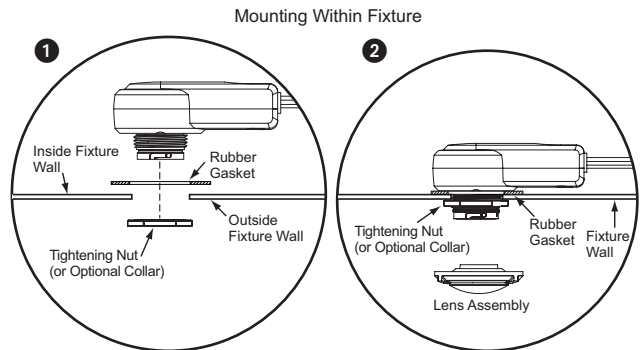
There are three configurations of the sensor:

- The FSP-301B mounts inside the fixture.
- The FSP-301B-S mounts to a fixture or an enclosure with a 1/2" knockout.
- The FSP-301B-D mounts to a pole or fixture.

Mounting Inside the Fixture

1. Determine an appropriate mounting location inside the light fixture minimizing the electric light contribution to the sensor's photocell. Allow a minimum distance of 0.2" (5.1mm) from the wiring end of the sensor to the wall of the fixture.
2. Drill a hole 1.30" (33.0mm) in diameter through the sheet metal in the bottom of the fixture.
3. Add the rubber gasket to the threaded collar, and install the sensor face down, parallel to the mounting surface. Ensure the rubber gasket touches the inside surface of the fixture. Install the tightening nut securely against the fixture to a torque of 25-30 in-lbs to ensure IP rating is maintained.

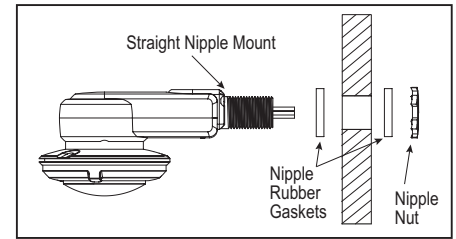
NOTE: An optional collar can be installed in place of the tightening nut on the FSP-301B. This collar is included with the FSP-301B-S and FSP301B-D, as shown below.



NOTE: The Outside Fixture Wall thickness should be no greater than 0.125" (3.18mm) for optimal sensor mounting and security.

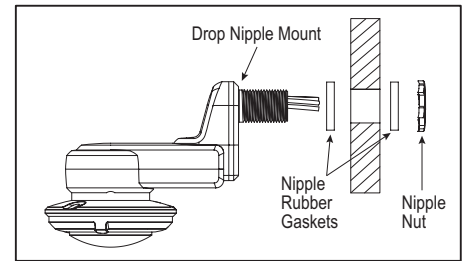
Mounting to a Fixture/Enclosure – Straight Nipple

1. Determine an appropriate mounting location minimizing the electric light contribution to the sensor's photocell.
2. If there is no knockout, drill a hole 0.875" (22mm) in diameter through the sheet metal in the fixture or enclosure.
3. Add the rubber gasket to the nipple, and install the sensor face down. Ensure the rubber gasket touches the surface of the fixture. Install the nipple nut securely against the fixture to a torque of 25–30 in-lbs to ensure IP rating is maintained.



Mounting to a Pole or Fixture – Drop Nipple

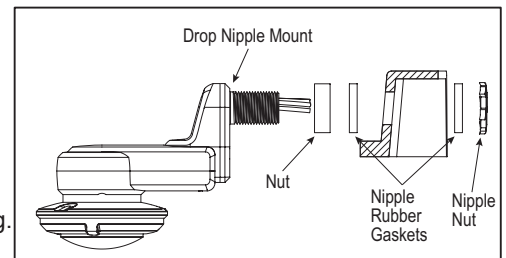
1. Determine an appropriate mounting location on the pole.
2. Drill a hole 0.875" (22mm) in diameter through the pole.
3. Add the rubber gasket to the nipple, and install the sensor face down. Ensure the rubber gasket touches the surface of the fixture. If needed, add the nut between the sensor body and the rubber gasket to ensure a secure fit. Install the nipple nut securely against the fixture to a torque of 25–30 in-lbs to ensure IP rating is maintained.



Completing the Installation

1. Align the locking features between the sensor and lens module and push the lens module forward until the o-ring seals firmly. Turn the lens module clockwise to ensure it locks in place.
2. Connect wires as shown in wiring diagram.
3. Restore power from the circuit breaker.

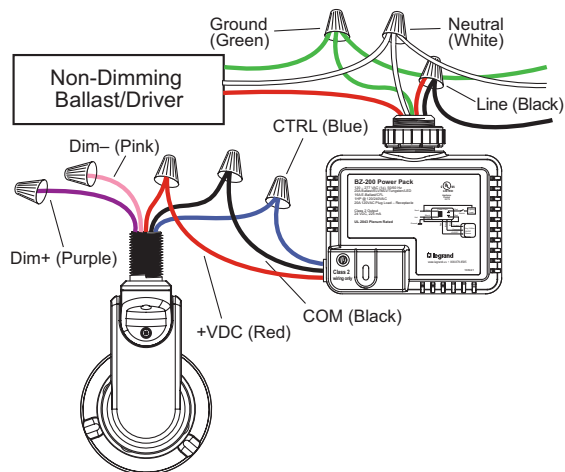
NOTE: The IP66 rating for this unit is based on proper installation as indicated above. However, as Fixture housings may vary in thickness, material, and hole dimensions to accommodate this unit, all precautions to maintain IP66 should be considered with the combination and installation of the unit to the Fixture Housing. This includes installation to an IP66 rated Fixture Housing and use of suitable outdoor rated silicone seals or accessories.



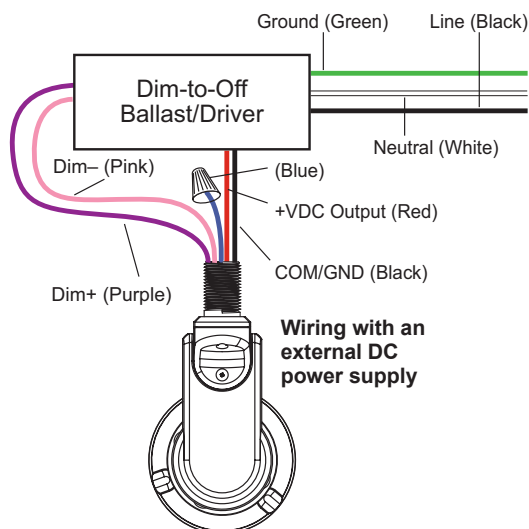
LENS OPTIONS

Several lenses are available for use with the FSP-301B. Lenses give coverage at mounting heights between 8'–40' for applications such as, offices, warehouses and outdoor use. Density and range of the coverage is determined by the type of lens and mounting height. A lens with shroud option is also available. The shroud blocks light coming from the fixture, to prevent interference with the photocell function of the sensor. Lens modules are IP-66 rated when combined with an FSP-301B sensor mounted to an outdoor rated fixture. See the FSP-Lx Coverage Guide for more information.

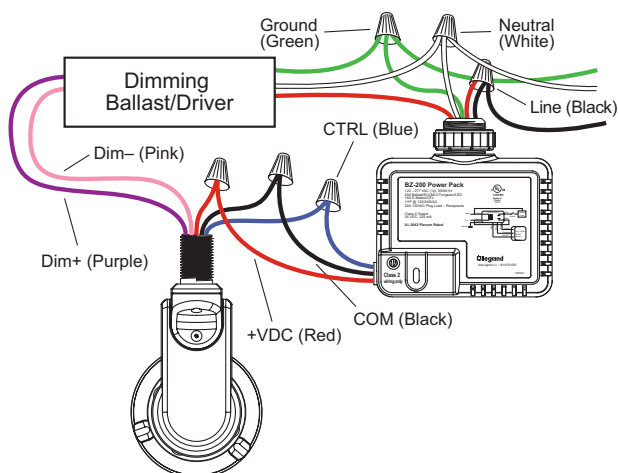
WIRING



NOTE: Per UL, the 0-10V negative dimming wire color has been changed from gray to pink.



Wiring with an external DC power supply



FSP-301B CONFIGURATION WITH THE SENSOR CONFIG APP

The Sensor Configuration App is available for both iOS® and Android® devices. Search "Wattstopper Sensor Config" on your device to download.



NOTE: Bluetooth communication ranges can vary depending on the device, as well as mobile carrier. Wattstopper recommends devices with Bluetooth 5.0. Iphone 8 and Samsung Galaxy S8 and later devices are recommended for optimal performance.

The Sensor Configuration tool is a mobile app for changing defaults and testing of the FSP-301B. It provides wireless access to the FSP-301B sensors for parameter changes and testing. Within a certain mounting height of the sensor, the Sensor Configuration app allows modification of the system without requiring ladders or tools. **If no configuration steps are taken, the sensor will use its default parameter values.**

The Sensor Configuration app display shows menus and prompts to lead you through each process. The mobile app provides a simple way to navigate through the customization fields.

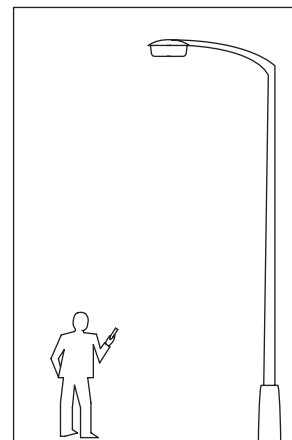
The Sensor Configuration app allows bi-directional communication between the FSP-301B and the mobile app. Simple menu screens let you see the current status of the sensor and make changes. It can change FSP-301B sensor parameters such as high/low mode, sensitivity, time delay, cut off and more. With the Sensor Configuration app you can also establish and store FSP-301B parameter profiles and enable continuous dimming.

The Sensor Configuration mobile app has the ability to detect multiple sensors based on signal strength or distance. Every time the commissioning tool establishes communication with the FSP-301B, the controlled load will flash, providing a visual indication of which FSP-301B you are configuring.

For details on the features and operation, download the Config App User Guide from the wattstopper web site at : <https://www.legrand.us/wattstopper.aspx>

IMPORTANT: We recommend that you secure the sensor with a **jobsite password**. Do not lose your jobsite password. Jobsite passwords are stored on the app on the phone that was used to commission the sensor. Forgetting the password or not sharing with the appropriate authority will require you to reset the FDP-301SR in order to communicate with it. **For Fixture manufacturers**, Wattstopper recommends that you do **not** create a Jobsite and Password when preprogramming devices at the assembly line.

NOTE: The Bluetooth wireless technology radio stops broadcasting after 7 days of being powered on if no password is set for the device. Cycling the power turns the Bluetooth radio back on.



RESET BUTTON FUNCTIONALITY

The button on the FSP-301B is used to to reset the unit.

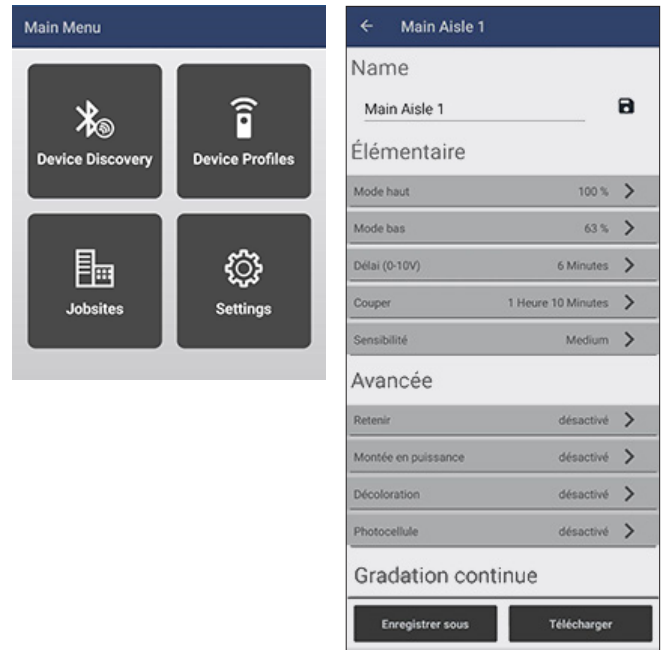
- **Press and Hold for 10 seconds** – Any jobsite passwords in which the device is bound will reset, then the device will reboot.
- **Press and Hold for 15 seconds** – A full reset returns sensor to factory default operation, then the device will reboot.

NOTE: If you press but do not hold the button, the load will toggle between On and Off.

NAVIGATION

Navigation is achieved by selecting any of the desired parameters. Settings can be changed via number of inputs or sliders.

NOTE: When you change parameter values on the FSP-301B, you need to wait about 3 minutes before the new parameters are saved into the memory.



END-OF-LINE TESTING

The sequence of operation shown below will occur during each power cycle of the device, until it has been commissioned with a set password using the Sensor Configuration App.

Notes:

- Bluetooth and Reset Button functionality is disabled during the startup sequence
- If the device is reset to default or if the password is reset, the device will begin the sequence of operation again.

Step	Action	Relay State	Output State	Ramp/Fade Time	Hold	Total Duration
1	Power On	Relay Closes	0V→10V	1s	2s	3s
2	Fade Down	Relay Opens	10V→0V	1s	1s	2s
3	Ramp Up	Relay Closes (at start)	0V→10V	2s	5s	7s
4	Fade Down	Relay Opens (at end)	10V→0V	2s	5s	7s
5	Ramp Up	Relay Closes (at start)	0V→5V	2s	5s	7s
6	Ramp Up	Closed (no change)	5V→10V	2s	1s	3s
7	Fade Down	Relay Opens (at end)	10V→0V	2s	1s	3s
8	Normal Sensor Operation	Closed	0V→10V	N/A	N/A	N/A

UPDATING SENSOR FIRMWARE

NOTE: When performing firmware updates, ensure your mobile device is not interrupted by other apps or processes. An interruption during an update could lead to an unrecoverable sensor failure. It is highly recommended to place your mobile device in airplane mode (with only Bluetooth enabled) to reduce risk of an interruption.

The Update Firmware option is also located within the Sensor Options screen. When you select this option, the screen displays the version of firmware within the specific sensor, and the version of firmware that is included with the app. If a newer version is available and you want to update the sensor, tap **Start Update**. A progress screen will show the progress of the update. Once complete, the display indicates completion and you can return to the **Sensor Options** screen.

NOTE: While the update is in progress, do **not** press the **Back** button. Doing so could result in an unrecoverable sensor failure.

NOTE: The app contains the latest versions of the firmware for each model sensor. If a new version of firmware is released, a new version of the app will be made available for download, containing the updated firmware.

TROUBLESHOOTING

Lights will not go to High Mode:

- Check all wire connections and verify the load and the ground wires are tightly secured.
- Make sure that the sensor is not obstructed.
- Check light level parameter, to find out the amount of light that the sensor is detecting. Cover the sensor lens to simulate darkness in the room. If the lights come ON, the setpoint needs to be adjusted. If set for minimum, more than 1 fc at the sensor of ambient light will cause the lights to be held OFF. See the new settings section for instructions.

- If lights still do not turn ON, call 800.879.8585 for technical support.

Lights will not go into Low Mode:

- The time delay can be set from a minimum of 30 seconds to a maximum of 30 minutes. Ensure that the time delay is set to the desired delay and that there is no movement within the sensor’s view for that time period.
- To quickly test the unit operation, enable test mode and move out of the sensor’s view. Lights should fade to low mode after 5 seconds.
- If lights still do not fade to Low Mode, call 800.879.8585 for technical support

Lights will not turn OFF:

- Cut Off time may be set to “Disable.”
- Ensure that the Cut Off is set to the desired time and that there is no movement within the sensor’s view for that time period when the lights are in Low Mode.
- To quickly test the unit operation, enable test mode and move out of the sensor’s view. Lights should fade to low mode after 5 seconds and then turn OFF (if cut off is enabled) after 10 sec.
- If lights still do not turn OFF, call 800.879.8585 for technical support.

False Triggering may occur if the sensor is exposed to high ambient temperature conditions and the unit is set to maximum sensitivity for PIR detection.

- If this occurs, reduce the PIR sensitivity setting from maximum to a medium point and re-check unit operation.
- If experiencing false triggering during fade down/Off, try increasing the fade time.

Lights do not turn ON:

Check for blinking blue LED. If the LED blinks twice, the sensor has reached its Hold Off setpoint, if the LED blinks 3 times, the sensor has reached it’s Photocell Light Level setpoint.

Lights suddenly turn off and will not come back on:

Check for blinking blue LED. If the LED blinks twice, the sensor has reached its Hold Off setpoint, if the LED blinks 3 times, the sensor has reached its Photocell Light Level setpoint.

I forgot my password:

Hold the reset button under the sensor lens for 15 seconds. This will reset the device to default values and allow you to assign a new password.

I can’t discover the sensor on the app:

If you do not connect with the sensor for 7 days after being powered on, the radio stops broadcasting. Power cycle the sensor in order to enable the radio.

ORDERING INFORMATION

Catalog #	Description
FSP-301B	Single/ Dual Phase, Continuous Dimming PIR Fixture Integrated Sensor in IP66 Enclosure
FSP-301B-S	Single/ Dual Phase, Continuous Dimming PIR Fixture Integrated Sensor in IP66 Enclosure, with Straight Nipple Mount
FSP-301B-D	Single/ Dual Phase, Continuous Dimming PIR Fixture Integrated Sensor in IP66 Enclosure, with Drop Nipple Mount
FSP-L2	360° lens, up to 44’ diameter at 8’ height
FSP-L2-S	360° lens, up to 44’ diameter at 8’ height, with shroud
FSP-L3	360° lens, up to 40’ diameter at 20’ height
FSP-L3-S	360° lens, up to 40’ diameter at 20’ height, with shroud
FSP-L7	360° lens, up to 100’ diameter at 40’ height
FSP-L7-S	360° lens, up to 100’ diameter at 40’ height, with shroud
FSP-C1	Small collar, for use with FSP-L2 and FSP-L3 lenses
FSP-C2	Large collar, for use with FSP-L7 lens

Sensor colors indicated by one of the following suffixes at the end of the catalog #:

-W = White; -BL = Black; -BR = Bronze/Brown; -G = Gray/Silver

FCC ID: Q4B-FSP-3X1

FCC REGULATORY STATEMENTS

This device complies with part 15 of the FCC Rules. Operation is subject to the following two conditions: (1) This device may not cause harmful interference, and (2) this device must accept any interference received, including interference that may cause undesired operation.

NOTE: This equipment has been tested and found to comply with the limits for a Class A digital device, pursuant to part 15 of the FCC Rules. These limits are designed to provide reasonable protection against harmful interference when the equipment is operated in a commercial environment.

This equipment generates, uses, and can radiate radio frequency energy and, if not installed and used in accordance with the instruction manual, may cause harmful interference to radio communications. Operation of this equipment in a residential area is likely to cause harmful interference in which case the user will be required to correct the interference at his own expense.

This device complies with FCC and IC safety levels of radio frequency (RF) exposure for Mobile devices.

This device is only authorized for use in a mobile application. At least 20 cm of separation distance between this device and the user's body must be maintained at all times.

Any changes or modifications not expressly approved by The Watt Stopper Inc. could void the user's authority to operate the equipment.

RF EXPOSURE WARNING

This equipment complies with FCC radiation exposure limits set forth for an uncontrolled environment. This equipment should be installed and operated with minimum distance 20cm between the radiator & your body.

IC REGULATORY STATEMENTS

This device complies with Industry Canada licence-exempt RSS standard(s).

Operation is subject to the following two conditions: (1) This device may not cause interference, and (2) This device must accept any interference, including interference that may cause undesired operation of the device.

In order to enhance the security of our products, Legrand ships its products with all insecure ports closed and insecure protocols disabled. You are free to configure your device as needed, but in doing so note that you may be decreasing the security of your device and any information contained in the device. As you modify the device's default settings, keep in mind how this may impact the security of the device and your network. In addition, you should use caution in connecting your device to the Internet, especially if you have altered the default security settings. If you have any questions or concerns about how your modifications of the device may affect its security, please contact the Legrand customer service team at 1-800-879-8585 / <https://www.legrand.us/support/wattstopper.aspx>

SPÉCIFICATIONS

<p>Tension 12–32 VCC</p> <p>Consommation de courant 15 mA maximum</p> <p>Câblage 20 AWG</p> <p style="padding-left: 20px;">Longueur .. 12 po (30,5cm), 10 po (25,4cm) pour le modèle FSP-301B-D</p> <p style="padding-left: 20px;">Tension d'entrée primaire + VCC, Com, Ctrl</p> <p style="padding-left: 20px;">Sortie de régulation 100 mA maximum</p> <p style="padding-left: 20px;">Tension du gradateur Dim + (violet), Dim – (rose)</p> <p>Température de fonctionnement ... De -40°F (-40°C) jusqu'à 167°F (75°C)</p> <p>Serrage de la jupe/Couple de serrage des écrous 25–30 po-lb</p> <p>Dimensions</p> <p style="padding-left: 20px;">Col 1,30 po de diamètre (33,0 mm)</p> <p style="padding-left: 20px;">Hauteur du col 0,64 po de diamètre (16,3 mm)</p> <p style="padding-left: 20px;">Corps 5,7 po L x 2,3 po La x 3,5 po H (145 mm x 60 mm x 90 mm)</p> <p>Poids 2,8 oz (80 g)</p> <p>Boîtier IP66 (NEMA STD)</p> <p>Couverture</p> <p style="padding-left: 20px;">Lentille FSP-L2 @ 8 pi de hauteur jusqu'à 44 pi de diamètre</p> <p style="padding-left: 20px;">Lentille FSP-L3 @ 20 pi de hauteur jusqu'à 40 pi de diamètre</p> <p style="padding-left: 20px;">Lentille FSP-L7 @ 40 pi de hauteur jusqu'à 100 pi de diamètre</p>	<p>Ajustements et caractéristiques</p> <p style="padding-left: 20px;">Mode « haut » 0 V – 10 V</p> <p style="padding-left: 20px;">Mode « bas » 0 V – 9 V, Désactivé</p> <p style="padding-left: 20px;">Temps Retard 30 secondes, 1 min – 30 min</p> <p style="padding-left: 20px;">Coupure Désactivé, 1 min – 59 min, 1 h – 5 h</p> <p style="padding-left: 20px;">Sensibilité Allumé-Fixe, Éteint-Fixe, Bas, Moyen, Haute</p> <p style="padding-left: 20px;">Retenir Auto, Désactivé, 1 pied-bougie–250 pieds-bougies</p> <p style="padding-left: 20px;">Montée en puissance Désactivé, 1 sec – 60 sec</p> <p style="padding-left: 20px;">Décoloration Désactivé, 1 sec – 60 sec</p> <p style="padding-left: 20px;">Point de consigne de la cellule photovoltaïque pour la Marche/Arrêt Désactiver, 1–250 fc</p> <p style="padding-left: 20px;">Gradation Continue Désactivé, 0–250 pieds-bougies</p> <p>Réglages par défaut</p> <p style="padding-left: 20px;">Mode « haut » 10 V</p> <p style="padding-left: 20px;">Mode « bas » 1 V</p> <p style="padding-left: 20px;">Temps Retard 5 min</p> <p style="padding-left: 20px;">Coupure 1 h</p> <p style="padding-left: 20px;">Sensibilité Haute</p> <p style="padding-left: 20px;">Retenir Désactivé</p> <p style="padding-left: 20px;">Montée en puissance Désactivé</p> <p style="padding-left: 20px;">Décoloration Désactivé</p> <p style="padding-left: 20px;">Point de consigne de la cellule photovoltaïque pour la Marche/Arrêt Désactivé</p> <p style="padding-left: 20px;">Gradation Continue Désactivé</p>
--	--

DESCRIPTION ET FONCTIONNEMENT

Le FSP-301B est un détecteur de présence coté IP66 qui tamise la lumière de forte à faible selon le mouvement.

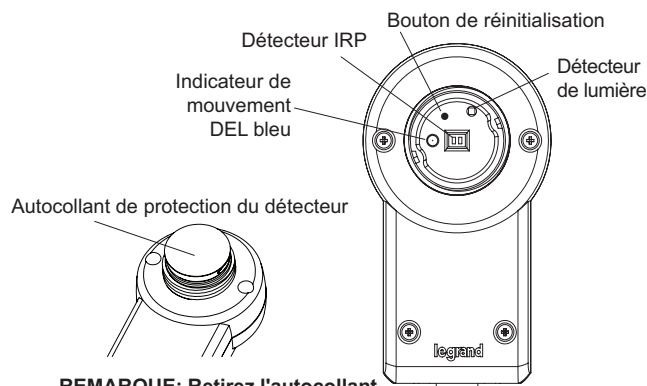
Trois configurations sont disponibles. Le FSP-301B s'installe à l'intérieur du luminaire et la lentille IRP se connecte au FSP-301B par un trou de 1,30 po de diamètre au bas du luminaire. Le FSP-301B-S s'installe dans un luminaire/boîtier avec un obturateur de 1/2 po par le raccord situé à l'arrière. Le FSP-301B-D a un raccord de fixation suspendu pour l'installation sur un poteau ou sur un luminaire.

Le détecteur utilise la technologie de détection par infrarouge passif (IRP) qui réagit aux changements dans l'énergie infrarouge (chaleur d'un corps en mouvement). Une fois que le détecteur ne détecte plus le mouvement et que la temporisation s'est écoulée, les lumières passeront du mode "haut" au mode "bas" pour finalement s'éteindre si souhaité. Les détecteurs doivent « voir » directement le mouvement d'une personne ou d'un objet afin de le détecter, considérez bien l'endroit où installer votre détecteur et votre choix de lentille. Évitez de placer le détecteur à un endroit où son champ de vision pourrait être obstrué.

Le FSP-301B est doté d'une cellule photoélectrique capable de lire le niveau de lumière et d'augmenter ou de réduire en permanence le niveau de variation des charges lumineuses, en fonction de la lumière ambiante et du réglage souhaité du niveau de luminosité.

Le FSP-301B fonctionne à 12–32 VCC. Il est conçu pour être installé à l'intérieur et à l'extérieur.

REMARQUE: Lorsque le FSP-301B est activé pour la première fois, il utilisera les paramètres de fonctionnement par défaut. Si des ajustements sont nécessaires, l'application mobile Sensor Configuration doit être utilisée.



REMARQUE: Retirez l'autocollant avant utilisation

CHOIX DE LENTILLES

Plusieurs choix de lentilles sont offerts pour le FSP-301B. Les lentilles offrent une couverture à une hauteur de montage de 8 pi–40 pi pour les endroits tels que bureaux, entrepôts et pour un usage extérieur. La densité et la portée de la couverture sont déterminées par le type de lentille et la hauteur de montage. Une lentille avec obturateur est également disponible en option. L'obturateur bloque la lumière provenant du luminaire afin d'éviter toute interférence avec la fonction photocellule du capteur. Les modules de lentilles sont cotés IP66 lorsque combinés avec un détecteur FSP-301B installé sur un luminaire extérieur. Voir le guide de couverture du FSP-Lx pour plus de renseignements.

INSTALLATION

MISE EN GARDE

⚠ NATTSTOPPER RECOMMANDE D'AJOUTER UN SUPPESSEUR DE SURTENSION DE 20KA POUR PROTÉGER L'APPAREIL, LE DRIVER ET LE DÉTECTEUR FSP. ⚠

Il existe trois configurations pour le détecteur :

- Le FSP-301B s'installe dans le luminaire.
- Le FSP-301B-S s'installe sur un luminaire ou un boîtier avec un obstruteur de 1/2 po.
- The FSP-301B-D s'installe sur un poteau ou un luminaire.

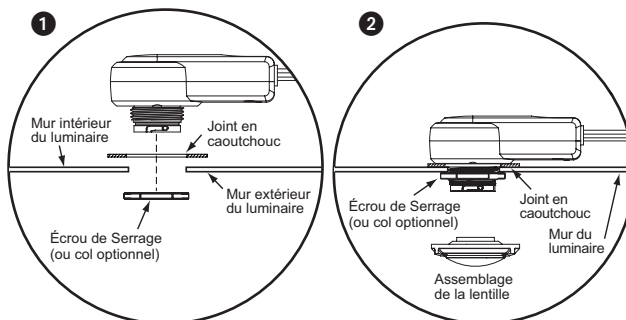
Montage à l'intérieur d'un luminaire

1. Déterminez l'endroit approprié pour l'installation à l'intérieur du luminaire minimisant l'apport de lumière électrique à la cellule photoélectrique du détecteur. Laissez une distance minimale de 0,2 po (5,1 mm) entre l'extrémité de connexion du détecteur et le mur du luminaire.
2. Percez un trou de 1,30 po (33,0 mm) de diamètre dans la feuille de métal au bas du luminaire.
3. Ajoutez le joint en caoutchouc au collier fileté et installez le détecteur face vers le bas, parallèle à la surface d'installation. Assurez-vous que le joint en caoutchouc touche la surface intérieure du luminaire. Installez l'écrou de serrage solidement contre le luminaire avec un couple de serrage de 25-30 lb pour conserver la cote IP.

REMARQUE: Un col optionnel peut être installée à la place de l'écrou de serrage sur le FSP-301B. Ce col est inclus avec les FSP-301B-S et FSP301B-D, comme indiqué ci-dessous.

⚠ AVERTISSEMENT : COUPER LE COURANT AU DISJONCTEUR PRINCIPAL AVANT D'INSTALLER LE DÉTECTEUR. ⚠

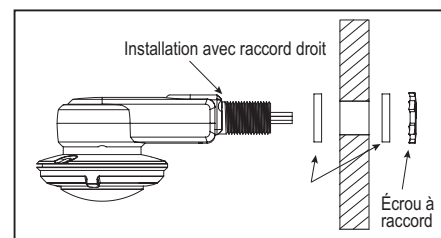
Installation dans le luminaire



REMARQUE: L'épaisseur de la paroi du luminaire à l'extérieur ne devrait pas dépasser 0,125 po (3,18 mm) pour une sécurité et une installation optimale du détecteur.

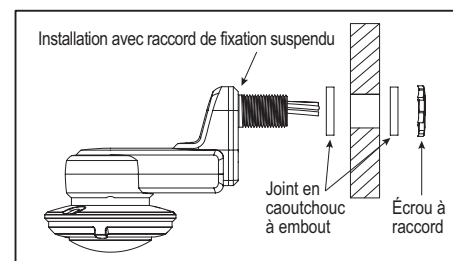
Installation sur un luminaire/boîtier — Raccord droit

1. Déterminez l'endroit approprié pour l'installation minimisant l'apport de lumière électrique à la cellule photoélectrique du détecteur.
2. S'il n'y a pas d'obstruteur, percez un trou de 0,875 po (22 mm) de diamètre dans la feuille de métal dans le luminaire ou le boîtier.
3. Ajoutez le joint en caoutchouc au raccord et installez le détecteur face vers le bas. Assurez-vous que le joint en caoutchouc touche la surface du luminaire. Installez l'écrou de raccord solidement contre le luminaire avec un couple de serrage de 25-30 lb pour conserver la cote IP.



Installation sur un poteau ou un luminaire -- Écrou de fixation suspendu

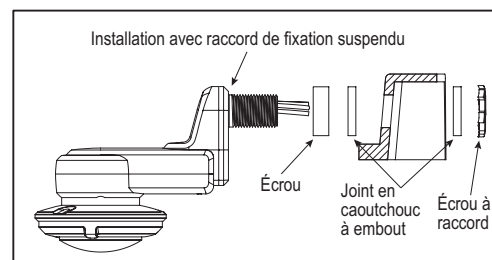
1. Déterminez l'endroit approprié pour l'installation sur le poteau.
2. Percez un trou de 0,875 po (22 mm) de diamètre dans le poteau.
3. Ajoutez le joint en caoutchouc au raccord et installez le détecteur face vers le bas. Assurez-vous que le joint en caoutchouc touche la surface du luminaire. Si nécessaire, ajoutez l'écrou entre le corps du détecteur et le joint en caoutchouc pour assurer une bonne tenue. Installez l'écrou de raccord solidement contre le luminaire avec un couple de serrage de 25-30 lb pour conserver la cote IP.



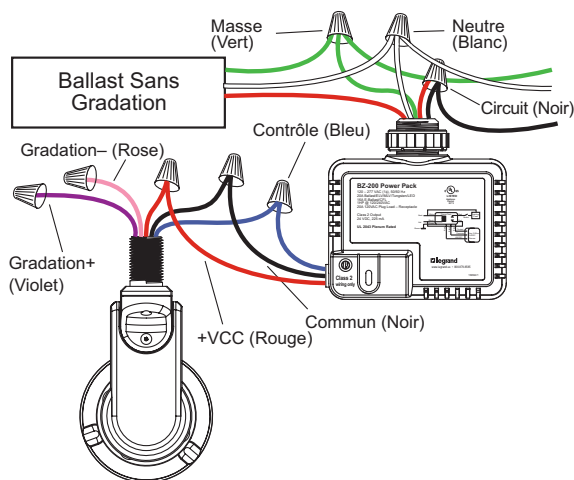
Terminer l'installation

1. Alignez les éléments de verrouillage entre le détecteur et le module de lentille et poussez le module de lentille vers l'avant jusqu'à ce que les joints toriques soient fermement scellés. Tournez la lentille dans le sens des aiguilles d'une montre pour assurer qu'elle est bien en place.
2. Connectez les fils comme indiqué dans le diagramme de câblage.
3. Rétablissez le courant du disjoncteur principal.

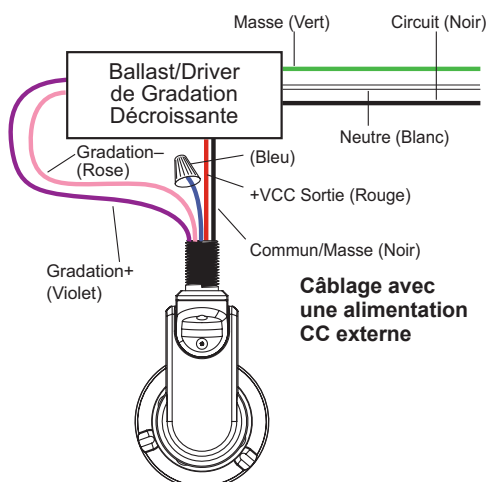
REMARQUE: La norme IP66 pour ce module est basée sur une installation correcte, tel qu'indiqué ci-dessus. Cependant, comme les luminaires peuvent varier en épaisseur, matériaux, et dimensions des trous pour accueillir ce module, toutes les précautions pour maintenir la norme IP66 doivent être considérées avec la combinaison et l'installation du module au luminaire. Ceci comprend l'installation à un luminaire avec la norme IP66, d'utiliser des joints en silicone approprié pour l'extérieur ou accessoires.



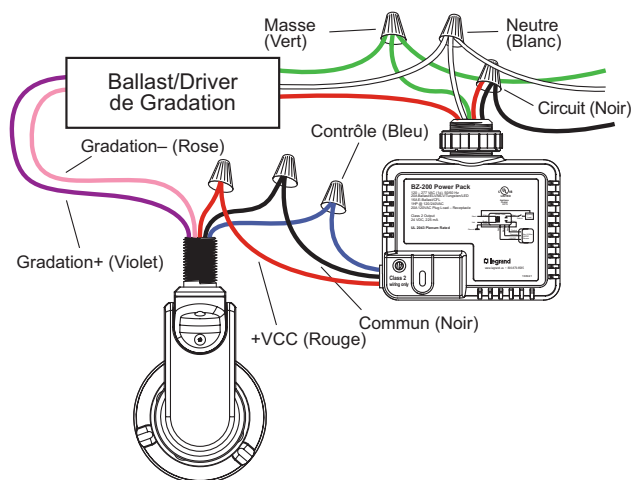
CÂBLAGE



REMARQUE: Selon UL, la couleur du fil de gradation négative 0-10V est passée du gris au rose.



Câblage avec une alimentation CC externe



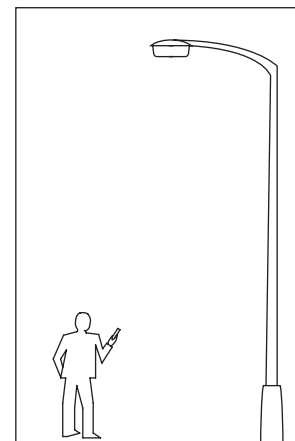
FSP-301B CONFIGURATION AVEC LE APPLICATION DE CONFIGURATION DU DÉTECTEUR

L'App Configuration du détecteur est disponible pour les appareils iOS® et Android®. Recherchez "Wattstopper Sensor Config" sur votre appareil pour le télécharger.



REMARQUE: La qualité du signal et la distance de communication Bluetooth peuvent varier en fonction de l'appareil et de l'opérateur mobile. Wattstopper recommande des appareils avec Bluetooth 5.0. Les appareils Iphone 8 et Samsung Galaxy S8 et versions ultérieures sont recommandés pour des performances optimales.

L'outil de configuration du détecteur est une application mobile pour modifier les valeurs par défaut et les tests du FSP-301B. Il fournit un accès sans fil aux détecteurs FSP-301B pour les changements de paramètres et les tests. À l'intérieur d'une certaine hauteur de montage du détecteur, l'application de configuration du détecteur permet de modifier le système sans avoir besoin d'échelles ou d'outils. **Si aucune étape de configuration n'est prise, le détecteur utilisera ses valeurs de paramètres par défaut.**



L'écran de l'application Configuration du détecteur affiche des menus et des instructions pour vous guider dans chaque processus. L'application mobile fournit un moyen simple de naviguer dans les champs de personnalisation.

L'application Configuration du détecteur permet une communication bidirectionnelle entre les FSP-301B et l'application mobile. Les écrans de menu simples vous permettent de voir l'état actuel du détecteur et de modifier. Il peut changer les paramètres du détecteur FSP-301B tels que le mode "HI/LO", la sensibilité, le délai, la coupure et plus encore. Avec l'application Configuration du détecteur, vous pouvez également créer et enregistrer des profils de paramètres FSP-301B et permettre une gradation continue.

L'application mobile Sensor Configuration permet de détecter plusieurs détecteurs en fonction de la puissance ou de la distance du signal. Chaque fois que l'outil de mise en service établit une communication avec le FSP-301B, la charge contrôlée clignote, fournissant une indication visuelle du FSP-301B que vous configurez.

Pour plus d'informations sur les fonctionnalités et le fonctionnement, téléchargez le Guide de l'utilisateur de l'application Config à partir du site Web wattstopper à l'adresse suivante: <https://www.legrand.us/wattstopper.aspx>

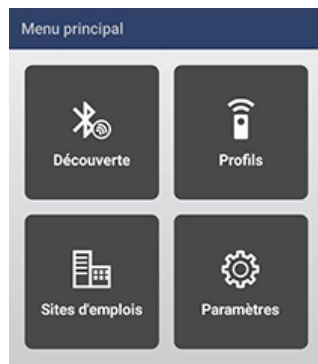
IMPORTANT: nous vous recommandons de sécuriser le détecteur avec un **mot de passe du site**. Ne perdez pas votre mot de passe de projet. Les mots de passe du site sont stockés dans l'application du téléphone utilisé pour mettre en service le détecteur. Si vous oubliez le mot de passe ou ne partagez pas le contenu avec l'autorité appropriée, vous devrez réinitialiser le FDP-301SR afin de communiquer avec lui. **Pour les fabricants de luminaires**, Wattstopper **recommande de ne pas** créer de chantier et de mot de passe lors de la préprogrammation des dispositifs sur la chaîne de montage.

REMARQUE: Si aucun mot de passe n'est défini pour l'appareil dans un délai de 7 jours après que celui-ci ait été allumé, les ondes radio de la technologie Bluetooth sans fil cesseront d'émettre. Le redémarrage met la radio Bluetooth sous tension.

LA NAVIGATION

La navigation est atteinte en sélectionnant l'un des paramètres souhaités. Les paramètres peuvent être modifiés par le nombre d'entrées ou de curseurs.

REMARQUE: Lorsque vous modifiez les valeurs des paramètres sur le FSP-301B, vous devez attendre environ 3 minutes avant que les nouveaux paramètres ne soient enregistrés dans la mémoire.



FONCTIONNALITÉ DU BOUTON RÉINITIALISATION

Le bouton du FSP-301B est utilisé pour réinitialiser l'unité.

- **Appuyez et maintenez pendant 10 secondes** – Tous les mots de passe de chantier auxquels l'appareil est lié seront réinitialisés, puis l'appareil redémarrera.
- **Appuyez et maintenez pendant 15 secondes** – Une réinitialisation complète rétablit le fonctionnement par défaut du détecteur, puis l'appareil redémarrera.

REMARQUE: Si vous appuyez sur le bouton mais ne le maintenez pas enfoncé, la charge basculera entre marche et arrêt.

TEST DE FIN DE LIGNE

La séquence de fonctionnement illustrée ci-dessous se produira pendant chaque cycle d'alimentation de l'appareil, jusqu'à ce qu'il ait été mis en service avec un mot de passe défini à l'aide de l'application de configuration du détecteur.

Remarques:

- La fonctionnalité Bluetooth et bouton de réinitialisation est désactivée pendant la séquence de démarrage
- Si le périphérique est réinitialisé à sa valeur par défaut ou si le mot de passe est réinitialisé, le périphérique recommencera la séquence de fonctionnement.

Étape	Action	État du relais	État de sortie	Temps de rampe / fondu	Temps de maintien	Durée totale
1	Mise sous tension	Relais se ferme	0V→10V	1s	2s	3s
2	Descente de la rampe	Ouverture du relais	10V→0V	1s	1s	2s
3	Montée en puissance	Relais se ferme (au démarrage)	0V→10V	2s	5s	7s
4	Descente de la rampe	Ouverture du relais (à la fin)	10V→0V	2s	5s	7s
5	Montée en puissance	Relais se ferme (au démarrage)	0V→5V	2s	5s	7s
6	Montée en puissance	Fermé (pas de changement)	5V→10V	2s	1s	3s
7	Descente de la rampe	Ouverture du relais (à la fin)	10V→0V	2s	1s	3s
8	Fonctionnement normal du détecteur	Fermé	0V→10V			

MISE À JOUR DU MICROLOGICIEL DU DÉTECTEUR

REMARQUE: Lorsque vous effectuez des mises à jour du micrologiciel, assurez-vous que votre appareil mobile n'est pas interrompu par d'autres applications ou processus. Une interruption pendant une mise à jour peut entraîner une défaillance irrécupérable du détecteur. Il est fortement recommandé de placer votre appareil mobile en mode avion (avec uniquement Bluetooth activé) pour réduire le risque d'interruption.

L'option Mettre à jour le micrologiciel se trouve dans l'écran Options du Détecteur. Lorsque vous sélectionnez cette option, l'écran affiche la version du micrologiciel du détecteur spécifique et la version du micrologiciel inclus avec l'application. Si une version plus récente est disponible et que vous souhaitez mettre à jour le détecteur, appuyez sur Démarrer la mise à jour (**Start Update**). Un écran de progression affichera la progression de la mise à jour. Une fois terminé, l'affichage indique la fin et vous pouvez revenir à l'écran Options du Détecteur (**Sensor Options**).

REMARQUE: Pendant que la mise à jour est en cours, **n'appuyez pas** sur le bouton "**Back**". Cela pourrait entraîner une défaillance irrécupérable du détecteur.

REMARQUE: L'application contient les dernières versions du micrologiciel pour chaque modèle de détecteur. Si une nouvelle version du micrologiciel est publiée, une nouvelle version de l'application sera disponible pour téléchargement, contenant le micrologiciel mis à jour.

DÉPANNAGE

Les lumières ne vont pas en mode «haut» :

- Vérifiez toutes les connexions et la charge et assurez-vous que les fils de terre sont bien fixés.
- Assurez-vous que le détecteur n'est pas obstrué.
- Vérifiez le paramètre du niveau de luminosité pour déterminer la quantité de lumière détectée par le détecteur. Couvrez la lentille du détecteur pour simuler un effet de noircissement dans la pièce. Si les lumières s'allument, la valeur doit être ajustée. Si la valeur est programmée au minimum, plus de 1 pied-bougie au détecteur de la lumière ambiante maintiendra les lumières éteintes. Consultez la section des nouveaux réglages pour avoir les instructions.
- Si les lumières ne s'allument toujours pas, appelez au 800.879.8585 pour obtenir du soutien technique.

Les lumières ne vont pas en mode «bas» :

- La temporisation peut être réglée d'un minimum de 30 secondes jusqu'à un maximum de 30 minutes. Assurez-vous que la temporisation est réglée au délai souhaité et qu'il n'y a pas de mouvement dans la vue du détecteur pour cette période de temps.
- Pour tester rapidement le fonctionnement de l'appareil, activez le mode d'essai et éloignez-vous de la vue du détecteur. Les lumières devraient diminuer en mode «bas» après 5 secondes.
- Si les lumières ne diminuent toujours pas en mode «bas», appelez au 800.879.8585 pour obtenir du soutien technique.

Les lumières ne s'éteignent pas :

- Le temps de coupure est peut-être réglé à «Désactivé».
- Assurez-vous que la coupure est réglée au temps souhaité et qu'il n'y a pas de mouvement dans la vue du détecteur pour cette période de temps quand les lumières sont en mode «Bas».
- Pour tester rapidement le fonctionnement de l'appareil, activez le mode d'essai et éloignez-vous de la vue du détecteur. Les lumières devraient diminuer en mode bas après 5 secondes puis s'éteindre (si la coupure est activée) après 10 secondes.
- Si les lumières ne s'éteignent toujours pas, appelez au 800.879.8585 pour obtenir du soutien technique.

Un faux déclenchement peut avoir lieu si le détecteur est exposé à des températures ambiantes élevées et que la sensibilité de détection des IRP de l'appareil est programmée au maximum.

- Si cela arrive, réduisez de maximum à moyen le réglage de sensibilité des IRP et vérifiez le fonctionnement de l'appareil de nouveau.
- Si de faux déclenchements se produisent pendant l'extinction, essayez d'augmenter le temps d'extinction.

Les lumières ne s'allument pas :

Vérifiez si une lumière DEL rouge clignote. Si la lumière DEL clignote deux fois, le détecteur a atteint sa valeur seuil d'attente, si la lumière DEL clignote 3 fois, le détecteur a atteint la valeur seuil du niveau de lumière de la cellule photoélectrique.

Les lumières s'éteignent soudainement et ne se rallument pas :

Vérifiez si une lumière DEL rouge clignote. Si la lumière DEL clignote deux fois, le détecteur a atteint sa valeur seuil d'attente, si la lumière DEL clignote 3 fois, le détecteur a atteint la valeur seuil du niveau de lumière de la cellule photoélectrique.

J'ai oublié mon mot de passe:

Maintenez le bouton de réinitialisation sous l'objectif du détecteur pendant 15 secondes. Cela réinitialisera l'appareil aux valeurs par défaut et vous permettra d'attribuer un nouveau mot de passe.

Je ne peux pas découvrir le détecteur sur l'application:

Si vous ne vous connectez pas avec le détecteur pendant 7 jours après la mise sous tension, la radio cesse de diffuser. Couper le courant du détecteur de manière à permettre à la radio de se réactiver.

RENSEIGNEMENTS POUR COMMANDES

Numéro de Catalogue	Description
FSP-301B	Monophasé/Biphasé (Universel), Gradation Continue, Luminaire avec détecteur intégré IRP dans un boîtier IP66.
FSP-301B-S	Monophasé/Biphasé (Universel), Gradation Continue, Luminaire avec détecteur intégré IRP dans un boîtier IP66, installé avec un raccord droit.
FSP-301B-D	Monophasé/Biphasé (Universel), Gradation Continue, Luminaire avec détecteur intégré IRP dans un boîtier IP66, installé avec un raccord de fixation suspendu.
FSP-L2	Lentille 360°, jusqu'à 44 pi de diamètre à 8 pi de hauteur
FSP-L2-S	Lentille 360°, jusqu'à 13,4 m (44 pi) de diamètre pour 2,4 m (8 pi) de hauteur, avec obturateur
FSP-L3	Lentille 360°, jusqu'à 12,2 m (40 pi) de diamètre pour 6 m (20 pi) de hauteur
FSP-L3-S	Lentille 360°, jusqu'à 12,2 m (40 pi) de diamètre pour 6 m (20 pi) de hauteur, avec obturateur
FSP-L7	Lentille 360°, jusqu'à 30,4 m (100 pi) de diamètre pour 12,2 m (40 pi) de hauteur
FSP-L7-S	Lentille 360°, jusqu'à 30,4 m (100 pi) de diamètre pour 12,2 m (40 pi) de hauteur, avec obturateur
FSP-C1	Petite col, à utiliser avec les lentilles FSP-L2 et FSP-L3
FSP-C2	Grand col, à utiliser avec la lentille FSP-L7

Les couleurs de détecteur indiquées par un des suffixes suivants à la fin du numéro de catalogue.

-W = Blanc; -BL = Noir; -BR = Bronze/Brun; -G = Gris/Argent

FCC ID: Q4B-FSP-3X1

DÉCLARATION FCC

Ce dispositif est conforme à la section 15 des règlements de la FCC. On peut s'en servir sous réserve des deux conditions suivantes. 1) Ce dispositif ne provoque pas d'interférences nuisibles; 2) Il doit être en mesure d'accepter toute interférence reçue, y compris les interférences qui peuvent causer un fonctionnement indésirable.

REMARQUE: Ce matériel a été mis à l'essai et a été jugé conforme aux limites d'un dispositif numérique de classe A, conformément à la section 15 des règlements de la FCC. Ces limites visent à offrir une protection raisonnable contre les interférences nuisibles dans un environnement commercial. Ce matériel génère, utilise et peut émettre des radiofréquences et, s'il n'est pas installé ou utilisé conformément aux directives, peut causer des interférences nuisibles aux communications radio. L'utilisation de cet équipement dans une zone résidentielle est susceptible de provoquer des interférences nuisibles, dans un tel cas l'utilisateur devra corriger les interférences à ses frais.

Cet appareil est conforme aux niveaux de sécurité FCC et IC de l'exposition aux radiofréquences (RF) pour les appareils mobiles.

Cet appareil n'est autorisé que pour une application mobile. Au moins 20 cm de distance de séparation entre cet appareil et le corps de l'utilisateur doivent être maintenus en tout temps.

Tout changement ou modification non expressément approuvé par The Watt Stopper Inc. pourrait annuler le droit de l'utilisateur à utiliser l'équipement.

DÉCLARATION ICC

Le présent appareil est conforme aux CNR d'Industrie Canada applicables aux appareils radio exempts de licence. L'exploitation est autorisée aux deux conditions suivantes: (1) l'appareil ne doit pas produire de brouillage, et (2) l'utilisateur de l'appareil doit accepter tout brouillage radioélectrique subi, même si le brouillage est susceptible d'en compromettre le fonctionnement.

Afin d'améliorer la sécurité de nos produits, Legrand expédie ses produits avec tous les ports non sécurisés fermés et les protocoles non sécurisés désactivés. Vous êtes libre de configurer votre appareil selon vos besoins, mais ce faisant, notez que vous risquez de diminuer la sécurité de votre appareil et toute information contenue dans l'appareil. Lorsque vous modifiez les paramètres par défaut de l'appareil, gardez à l'esprit l'impact que cela peut avoir sur la sécurité de l'appareil et de votre réseau. De plus, vous devez faire preuve de prudence lors de la connexion de votre appareil à Internet, surtout si vous avez modifié les paramètres de sécurité par défaut. Si vous avez des questions ou des inquiétudes sur la façon dont vos modifications de l'appareil peuvent affecter sa sécurité, veuillez contacter l'équipe du service client de Legrand au 1-800-879-8585 / <https://www.legrand.us/support/wattstopper.aspx>

ESPECIFICACIONES

<p>Voltaje 12–32 VCC</p> <p>Consumo de corriente 15 mA máximo</p> <p>Cableado 20 AWG</p> <p> Longitud 12" (30,5cm), 10" (25,4cm) para el modelo FSP-301B-D</p> <p> Voltaje primario +VCC, Com, Ctrl</p> <p> Salida de control 100 mA máximo</p> <p> Voltaje de regulación Reg + (violeta), Reg – (rosa)</p> <p> Temperatura de funcionamiento -40 °C (-40 °F) a 80 °C (176 °F)</p> <p> Faldón de ajuste/Torsión de tuerca 25 a 30 pulg.-lbs.</p> <p>Dimensiones</p> <p> Collarín 33 mm (1,30") de diámetro</p> <p> Altura del collarín 16,3 mm (0,64")</p> <p> Armazón... 5,7" largo x 2,3" ancho x 3,5" alto (145 mm x 60 mm x 90 mm)</p> <p>Peso 80 g (2,8 oz)</p> <p>Gabinete IP66 (NEMA STD)</p> <p>Cobertura</p> <p> Lente FSP-L2 a 2,43 m (8') de altura Hasta 13,41 m (44') de diámetro</p> <p> Lente FSP-L3 a 6,09 m (20') de altura Hasta 12,19 m (40') de diámetro</p> <p> Lente FSP-L7 a 12,19 m (40') de altura... Hasta 30,48 m (100') de diámetro</p>	<p>Ajustes y funciones</p> <p> Alto Modo 0 V a 10 V</p> <p> Modo de Bajo 0 V a 9 V, Desactivado</p> <p> Retraso de Tiempo 30 segundos, 1 minuto a 30 minutos</p> <p> Corte Desactivado, 1 minuto a 59 minutos, 1 hora a 5 horas</p> <p> Sensitividad Apagado fijo, Encendida fijo, Baja, Medio, Alto</p> <p> El Apartar Automático, Desactivado, 1 a 250 fc</p> <p> El Incrementar Desactivado, 1 segundo a 60 segundos</p> <p> El Fundir Desactivado, 1 segundo a 60 segundos</p> <p> Punto de ajuste de fotocelda para Encender/Apagar Desactivado, 1 a 250 fc</p> <p> Atenuación Continua Desactivado, 0 a 250 fc</p> <p>Valores predeterminado de fábrica</p> <p> Alto Modo 10 V</p> <p> Modo Bajo 1 V</p> <p> Retraso de Tiempo 5 minutos</p> <p> Corte 1 hora</p> <p> Sensitividad Alto</p> <p> Apartar Desactivado</p> <p> Incrementar Desactivado</p> <p> Fundir Desactivado</p> <p> Punto de ajuste de fotocélula para Encender/Apagar Desactivado</p> <p> Atenuación Continua Desactivado, 0 a 250 fc</p>
--	--

DESCRIPCIÓN Y FUNCIONAMIENTO

El FSP-301B es un sensor de movimiento con clasificación IP66 que regula la luz de alta a baja según el movimiento.

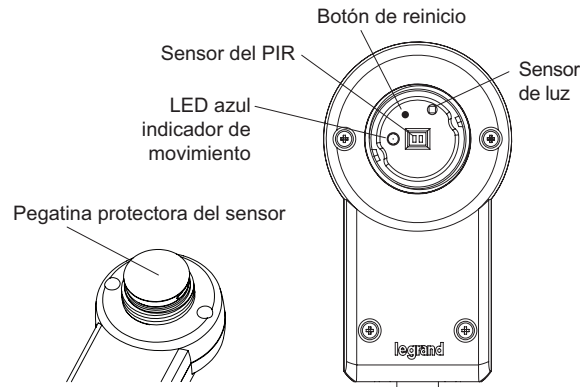
Se encuentran disponibles tres configuraciones. El FSP-301B se monta dentro de la luminaria y el lente PIR se conecta al FSP-301B a través de un orificio de 1,30" de diámetro en la parte inferior de la luminaria. El FSP-301B-S se monta en una luminaria/gabinete con un orificio ciego de 1/2" a través de una boquilla detrás. El FSP-301B-D posee una boquilla de montaje de caída, para montar en un polo o en la luminaria.

Los sensores usan tecnología de detección de infrarrojo pasivo (PIR) que reacciona a los cambios de energía infrarroja (temperatura de movimiento corporal) dentro del área de cobertura. Una vez que el sensor deja de detectar movimiento y transcurre el tiempo de demora, las luces pasan del modo alto al bajo y eventualmente a la posición APAGADA si se desea. Los sensores deben "ver" directamente el movimiento de una persona o un objeto en movimiento para detectarlos, por lo que se debe prestar especial atención a la colocación del sensor y a la selección de la lente. Evite colocar el sensor en lugares donde haya obstrucciones que puedan bloquear la línea de visión del sensor.

El FSP-301B tiene una fotocelda que puede leer el nivel de luz y aumentar o disminuir continuamente el nivel de atenuación de las cargas de iluminación, en función de la luz ambiental y la configuración deseada del nivel de luz.

El FSP-301B funciona de 12 a 32 V CC. Está diseñado para instalarse en ambientes interiores y exteriores.

NOTA: Cuando el FSP-301B recibe energía por primera vez, utilizará los parámetros predeterminados de fábrica para funcionar. Si se necesita realizar ajustes, debe utilizarse la aplicación móvil Sensor Configuration.



NOTA: Retire la pegatina antes de usar

OPCIONES DELENTE

Varios lentes están disponibles para usar con FSP-301B. Las lentes brindan cobertura a alturas de montaje entre 2,43 m (8') y 12,19 m (40') para aplicaciones como oficinas, depósitos y uso en exteriores. La densidad y el rango de cobertura están determinados por el tipo de lente y la altura de montaje. Lentes con cubierta integrada también están disponibles. La cubierta bloquea la luz proveniente de la luminaria, para evitar interferencias con la función de fotocélula del sensor. Los módulos de lentes tiene clasificación IP-66 cuando se combinan con un sensor FSP-301B montado en una luminaria para exteriores. Consulte la Guía de cobertura de FSP-Lx para obtener más información.

INSTALACIÓN

PRECAUCIÓN

WATTSTOPPER RECOMIENDA AGREGAR UN SUPRESOR DE SOBRETENSIONES DE 20 KA PARA PROTEGER EL DISPOSITIVO, EL CONTROLADOR Y EL SENSOR FSP.

ADVERTENCIA: APAGUE LA CORRIENTE EN EL DISYUNTOR ANTES DE INSTALAR EL SENSOR.

Existen tres configuraciones del sensor:

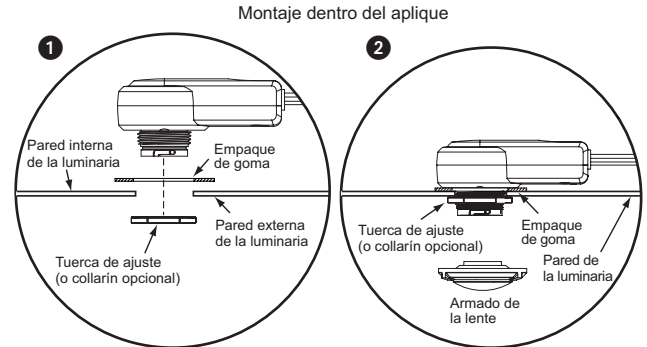
- El FSP-301B se monta dentro de la luminaria.
- El FSP-301B-S se monta en una luminaria o gabinete con un orificio ciego de 1/2".
- El FSP-301B-D se monta en un polo o luminaria.

NOTA: Wattstopper recomienda agregar un supresor de sobretensiones de 20 kA para proteger el dispositivo, el controlador y el sensor de FSP.

Montar dentro de luminaria

1. Determine una ubicación de montaje apropiada dentro de la luminaria de luz que minimice la contribución de luz eléctrica a la fotocelda del sensor. Deje una distancia mínima de 5,1 mm (0,2") desde el extremo de cableado del sensor hasta la pared de la luminaria.
2. Taladre un orificio de 33 mm (1,30") de diámetro a través de la placa metálica en la parte inferior de la luminaria.
3. Agregue la empaque de goma al collarín roscado e instale el sensor boca abajo, paralelo a la superficie de montaje. Asegúrese de que la empaque de goma toque la superficie interior de la luminaria. Instale la tuerca de ajuste firmemente contra el aplique con un par de 25 a 30 pulg.-lbs. para garantizar que se mantenga la clasificación IP.

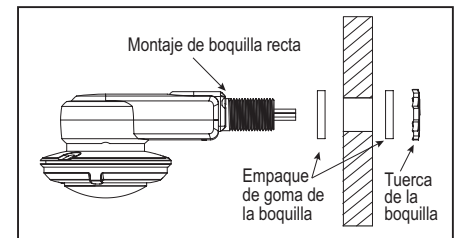
NOTA: Un collarín opcional se puede instalar en lugar de usar la tuerca en el FSP-301B. Este collar se incluye con FSP-301B-S y FSP301B-D, como se muestra a continuación.



NOTA: El espesor de la pared del aplique externo no debe ser mayor a 3,18 mm (0,125") para optimizar el montaje del sensor y la seguridad.

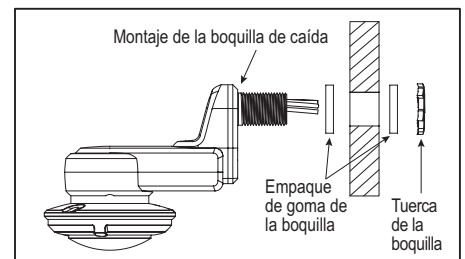
Montar en luminaria/gabinete: boquilla recta

1. Determine una ubicación de montaje apropiada que minimice la contribución de luz eléctrica a la fotocelda del sensor.
2. Si no hay orificio ciego, perforo un orificio de 22 mm (0,875") de diámetro a través de la placa metálica en el la luminaria o gabinete.
3. Agregue la empaque de goma a la boquilla e instale el sensor boca abajo. Asegúrese de que la empaque de goma toque la superficie de la luminaria. Instale la tuerca de la boquilla firmemente contra el la luminaria con un par de torsión de 25 a 30 pulg.-lbs. para garantizar que se mantenga la clasificación IP.



Montar a un polo o luminaria: boquilla de caída

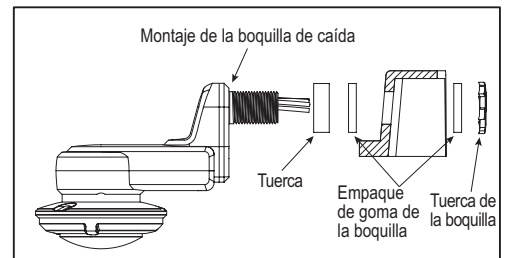
1. Determine una ubicación de montaje apropiada en el polo.
2. Perfore un orificio de 22 mm (0,875") de diámetro a través del polo.
3. Agregue la empaque de goma a la boquilla e instale el sensor boca abajo. Asegúrese de que la empaque de goma toque la superficie de la luminaria. Si es necesario, agregue la tuerca entre el cuerpo del sensor y la empaque de goma para garantizar un ajuste seguro. Instale la tuerca de la boquilla firmemente contra de la luminaria con un par de torsión de 25 a 30 pulg.-lbs. para garantizar que se mantenga la clasificación IP.



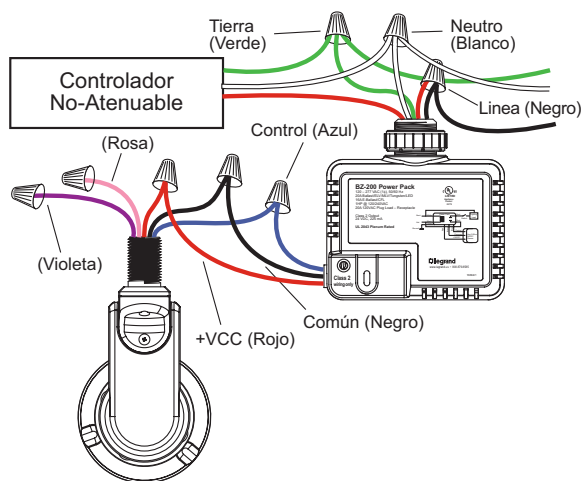
Completar la instalación

1. Alinee las características de bloqueo entre el sensor y la lente, y empuje el módulo de la lente hacia adelante hasta que la empaque tórica se selle firmemente. Gire el módulo de la lente en sentido de las agujas del reloj para garantizar que se bloquee en su lugar.
2. Conecte los cables como se muestra en el diagrama de cableado.
3. Restablezca la alimentación desde el disyuntor.

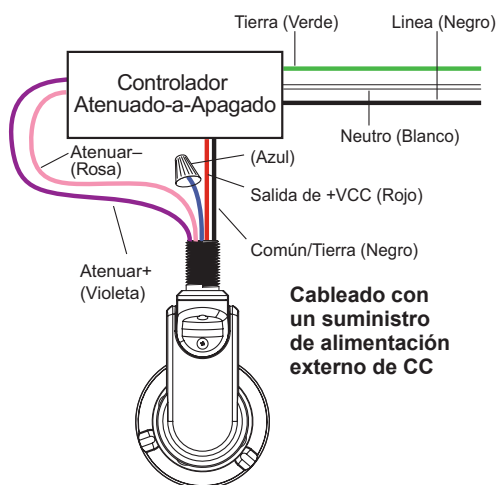
NOTA: El grado de protección IP66 para esta unidad depende de una instalación adecuada. Las luminarias pueden variar en espesor, materiales y dimensiones de los orificios para dar cabida a esta unidad. Tomando esto en cuenta, todas las precauciones para mantener el grado de IP66 deben ser consideradas durante la instalación de la unidad a la luminaria. Esto incluye la instalación a una luminaria de grado IP66 y uso de sellos de silicona o accesorios adecuados.



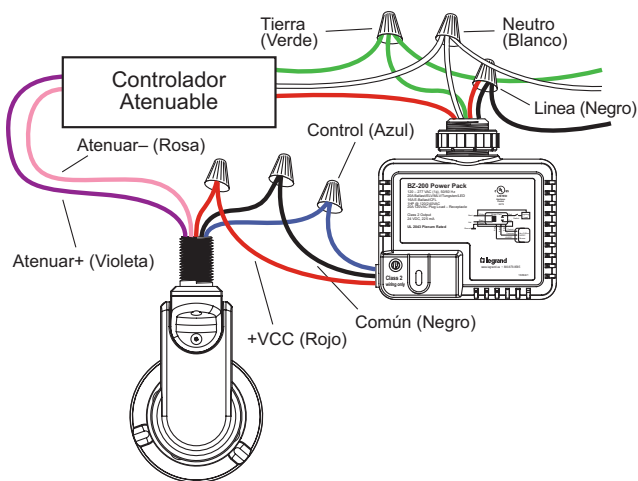
CABLEADO



NOTA: Según UL, el color del cable de atenuación negativa de 0-10 V ha cambiado de gris a rosa.



Cableado con un suministro de alimentación externo de CC



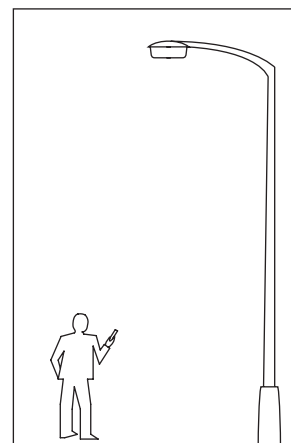
CONFIGURACIÓN FSP-301B CON EL APLICACIÓN DE CONFIGURACIÓN DEL SENSOR

La aplicación de configuración del sensor está disponible para dispositivos iOS® y Android®. Busque "Wattstopper Sensor Config" en su dispositivo para descargar.



NOTA: Los rangos de comunicación Bluetooth pueden variar según el dispositivo, así como el operador de telefonía móvil. Wattstopper recomienda dispositivos con Bluetooth 5.0. El iPhone 8 y Samsung Galaxy S8 y dispositivos posteriores, son recomendados para un rendimiento óptimo.

La herramienta de configuración del sensor es una aplicación móvil para cambiar los valores predeterminados y las pruebas del FSP-301. Proporciona acceso inalámbrico a los sensores FSP-301B para los cambios de parámetros y las pruebas. Dentro de una determinada altura de montaje del sensor, la aplicación Sensor Configuration permite la modificación del sistema sin necesidad de escaleras ni herramientas. **Si no se toman medidas de configuración, el sensor utilizará sus valores de parámetros predeterminados.**



La pantalla de la aplicación Sensor Configuration muestra menús e indicaciones para guiarle a través de cada proceso. La aplicación para móviles proporciona una forma sencilla de navegar por los campos de personalización.

La aplicación Sensor Configuration permite la comunicación bidireccional entre la FSP-301B y la aplicación. Pantallas de menú simples le permiten ver el estado actual del sensor y realizar cambios. Puede cambiar los parámetros del sensor FSP-301B tales como modo alto / bajo, sensibilidad, tiempo de retardo, corte y más. Con la aplicación Sensor Configuration también puede establecer y almacenar perfiles de parámetros FSP-301B y habilitar la atenuación continua.

La aplicación móvil Sensor Configuration tiene la capacidad de detectar múltiples sensores basados en la intensidad o la distancia de la señal. Cada vez que la herramienta establece comunicación con el FSP-301, la carga controlada parpadeará, proporcionando una indicación visual de qué FSP-301B está configurando.

Para obtener más información sobre las características y el funcionamiento, descargue la Guía del usuario de la aplicación de configuración del sitio web de wattstopper en: <https://www.legrand.us/wattstopper.aspx>

IMPORTANTE: Recomendamos que proteja su sensor con una **contraseña segura**. No pierda su contraseña, y asegúrese de compartirla con las autoridades apropiadas. Las contraseñas se almacenan en la aplicación en el teléfono que se utilizó para poner en marcha el sensor. Si olvida la contraseña o no la comparte con la autoridad correspondiente, tendrá que restablecer la contraseña del sensor FDP-301SR para comunicarse con él. Consulte cómo reiniciar el FDP-301SR en la página siguiente. **Para los fabricantes de luminarias, Wattstopper recomienda que no cree un Sitio de trabajo y una contraseña cuando preprograma los dispositivos en la línea de ensamble.**

NOTA: La radio con tecnología Bluetooth inalámbrica deja de transmitir 7 días después de haber encendido el dispositivo y no haber establecido una contraseña para el dispositivo. Apagar y prender la unidad, enciende de nuevo la radio Bluetooth.

NAVEGACIÓN

La navegación se logra seleccionando cualquiera de los parámetros deseados. Los ajustes se pueden cambiar a través del número de entradas o deslizadores.

NOTA: Al cambiar los valores de los parámetros en el FSP-301B, es necesario esperar unos 3 minutos antes de que los nuevos parámetros se guarden en la memoria.



FUNCIONALIDAD DEL BOTÓN DE REINICIO

El botón del FSP-301B se utiliza para restablecer la unidad.

Mantenga presionado durante 10 segundos – Cualquier contraseña del lugar de trabajo en la que esté vinculado el dispositivo se restablecerá, luego el dispositivo se reiniciará.

Mantenga presionado durante 15 segundos – Un restablecimiento completo devuelve el sensor a la operación predeterminada de fábrica, luego el dispositivo se reiniciará.

NOTA: Si presiona pero no mantiene presionado el botón, la carga alternará entre Encendido y Apagado.

PRUEBAS DE FINAL DE LÍNEA

La secuencia de operación que se muestra a continuación ocurrirá durante cada ciclo de encendido del dispositivo, hasta que se haya puesto en marcha con una contraseña establecida mediante la aplicación de configuración del sensor.

Notas:

- La funcionalidad del botón de reinicio y Bluetooth está deshabilitada durante la secuencia de inicio
- Si el dispositivo se restablece a los valores predeterminados o si se restablece la contraseña, el dispositivo comenzará la secuencia de funcionamiento nuevamente.

Paso	Acción	Estado de relé	Estado de salida	Tiempo de rampa / desvanecimiento	Tiempo de espera	Duración total
1	Encendido	El relé se cierra	0V→10V	1s	2s	3s
2	Desvanecerse	El relé se abre	10V→0V	1s	1s	2s
3	Rampa arriba	El relé se cierra (al inicio)	0V→10V	2s	5s	7s
4	Desvanecerse	El relé se abre (al final)	10V→0V	2s	5s	7s
5	Rampa arriba	El relé se cierra (al inicio)	0V→5V	2s	5s	7s
6	Rampa arriba	Cerrado (sin cambios)	5V→10V	2s	1s	3s
7	Desvanecerse	El relé se abre (al final)	10V→0V	2s	1s	3s
8	Operación normal del sensor	Cerrado	0V→10V			

ACTUALIZACIÓN DEL FIRMWARE DEL SENSOR

NOTA: Al realizar actualizaciones de firmware, asegúrese de que su dispositivo móvil no sea interrumpido por otras aplicaciones o procesos. Una interrupción durante una actualización podría provocar una falla irrecuperable del sensor. Se recomienda enfáticamente colocar su dispositivo móvil en modo avión (solo con Bluetooth habilitado) para reducir el riesgo de una interrupción.

La opción Actualizar firmware se encuentra dentro de la pantalla Opciones de Sensor. Cuando selecciona esta opción, la pantalla muestra la versión de firmware dentro del sensor específico y la versión de firmware que se incluye con la aplicación. Si hay una versión más nueva disponible y desea actualizar el sensor, toque Iniciar Actualización (**Start Update**). Una pantalla de progreso mostrará el progreso de la actualización. Una vez finalizado, la pantalla indica que ha finalizado y puede volver a la pantalla Opciones de Sensor (**Sensor Options**).

NOTA: Mientras la actualización está en progreso, **no presione** el botón “Back”. Si lo hace, podría provocar una falla irrecuperable del sensor.

NOTE: La aplicación contiene las últimas versiones del firmware para cada modelo de sensor. Si se lanza una nueva versión de firmware, una nueva versión de la aplicación estará disponible para su descargar, conteniendo el firmware actualizado.

SOLUCIÓN DE PROBLEMAS

Las luces no pasan al “Modo alto”:

- Controle todas las conexiones de cables y verifique la carga y que los cables de regulación estén bien ajustados.
- Asegúrese de que el sensor no esté bloqueado.
- Controle el parámetro de nivel de luz para conocer la cantidad de luz que el sensor está detectando. Cubra la lente del sensor para simular oscuridad en la habitación. Si la luz se enciende, se debe regular el punto de ajuste. Si se configura para el mínimo, más de 1 fc en el sensor de la luz ambiental causará que las luces se mantengan APAGADAS. Consulte la sección de nueva configuración para obtener instrucciones.
- Si las luces todavía no se encienden, llame al 800.879.8585 para obtener soporte técnico.

Las luces no pasan al “Modo bajo”:

- El tiempo de demora puede ajustarse desde un mínimo de 30 segundos hasta un máximo de 30 minutos. Asegúrese de que el tiempo de demora esté configurado en la demora deseada y que no haya movimiento dentro de la visión del sensor durante ese período de tiempo.
- Para probar el funcionamiento de la unidad, active el “Modo de prueba” y salga de la visión del sensor. Las luces deben atenuarse al “Modo bajo” después de 5 segundos.
- Si las luces todavía no se atenúan al “Modo bajo”, llame al 800.879.8585 para obtener soporte técnico.

Las luces no se apagan:

- El tiempo de corte puede configurarse en “Desactivado”.
- Asegúrese de que el tiempo de corte esté configurado en el tiempo deseado y que no haya movimiento dentro de la visión del sensor durante ese período de tiempo en el que las luces estén en “Modo bajo”.
- Para probar el funcionamiento de la unidad, active el “Modo de prueba” y salga de la visión del sensor. Las luces deben atenuarse al “Modo bajo” después de 5 segundos y luego apagarse (si está activado el corte) después de 10 segundos.
- Si las luces todavía no se apagan, llame al 800.879.8585 para obtener soporte técnico.

Pueden ocurrir falsas activaciones si el sensor se ve expuesto a condiciones de temperatura ambiental elevada y la unidad tiene una configuración de máxima sensibilidad para la detección de PIR.

- Si esto ocurre, reduzca la configuración de sensibilidad de PIR de máxima a media y vuelva a controlar el funcionamiento de la unidad.
- Si experimenta falsas activaciones durante la atenuación/el apagado, intente aumentar el tiempo de atenuación.

Las luces no se encienden:

Controle el LED rojo parpadeante. Si el LED parpadea dos veces, el sensor ha alcanzado su punto de ajuste de Mantener Apagado. Si el LED parpadea 3 veces, el sensor ha alcanzado su punto de configuración del Nivel de Luz Fotocelda.

Las luces se apagan de repente y no se vuelven a encender:

Controle el LED rojo parpadeante. Si el LED parpadea dos veces, el sensor ha alcanzado su punto de ajuste de Mantener Apagado. Si el LED parpadea 3 veces, el sensor ha alcanzado su punto de configuración del Nivel de Luz Fotocelda.

Se me olvidó mi contraseña:

Mantenga pulsado el botón de reinicio bajo la lente del sensor durante 15 segundos. Esto restablecerá los valores predeterminados del dispositivo y le permitirá asignar una nueva contraseña.

No puedo descubrir el sensor en la aplicación móvil:

Si no se conecta con el sensor durante 7 días después de encenderlo, la radio deja de transmitir. Encienda el sensor para activar la radio.

INFORMACIÓN PARA HACER PEDIDOS

N.º de catálogo	Descripción
FSP-301B	Fase simple/doble (universal), Atenuación Continua, sensor PIR para integración con luminaria tipo IP66
FSP-301B-S	Fase simple/doble (universal), Atenuación Continua, sensor PIR para integración con luminaria tipo IP66, con montaje de boquilla recta
FSP-301B-D	Fase simple/doble (universal), Atenuación Continua, sensor PIR para integración con luminaria tipo IP66, con montaje de boquilla de caída
FSP-L2	Lente de 360°, hasta 13,41 m (44') de diámetro a 2,43 m (8') de altura
FSP-L2-S	Lente de 360°, hasta 13,41 m (44') de diámetro a 2,43 m (8') de altura, con cubierta
FSP-L3	Lente de 360°, hasta 12,19 m (40') de diámetro a 6,09 m (20') de altura
FSP-L3-S	Lente de 360°, hasta 12,19 m (40') de diámetro a 6,09 m (20') de altura, con cubierta
FSP-L7	Lente de 360°, hasta 30,48 m (100') de diámetro a 12,19 m (40') de altura
FSP-L7-S	Lente de 360°, hasta 30,48 m (100') de diámetro a 12,19 m (40') de altura, con cubierta
FSP-C1	Collarín chico para uso con FSP-L2 y FSP-L3
FSP-C2	Collarín grande para uso con FSP-L7

Colores del sensor indicados por uno de los siguientes sufijos al final del n.º de catálogo:

-W = blanco; -BL = negro; -BR = bronce/marrón; -G = gris/plateado

FCC ID: Q4B-FSP-3X1

DECLARACIONES REGLAMENTARIAS DE LA FCC

Este dispositivo cumple con la parte 15 de las reglas de la FCC. La Operación está sujeta a las dos condiciones siguientes. (1) Este dispositivo no puede causar interferencias perjudiciales, y (2) este dispositivo debe aceptar cualquier interferencia recibida, incluidas las interferencias que puedan causar una operación no deseada.

NOTA: Este equipo ha sido probado y cumple con los límites de dispositivos digitales Clase A, de acuerdo con la parte 15 de las Reglas de la FCC. Estos límites están diseñados para ofrecer una protección razonable contra la interferencia perjudicial en un entorno comercial. Este equipo genera, utiliza y puede irradiar energía de radiofrecuencia y, si no se instala y usa de acuerdo con el manual de instrucciones, puede causar interferencia perjudicial en las comunicaciones de radio. El funcionamiento de este equipo en una zona residencial puede causar interferencias perjudiciales, en cuyo caso el usuario deberá corregir la interferencia por su propia cuenta.

Este dispositivo cumple con los niveles de seguridad de exposición a radiofrecuencia (RF) la FCC e IC para dispositivos móviles.

Este dispositivo solo está autorizado para su uso en una aplicación móvil. Al menos 20 cm de distancia de separación entre este dispositivo y el cuerpo del usuario debe ser mantenido en todo momento.

Cualquier cambio o modificación que no esté expresamente aprobado por The Watt Stopper Inc. podría anular la autoridad del usuario para operar el equipo.

Para mejorar la seguridad de nuestros productos, Legrand envía sus productos con todos los puertos inseguros cerrados y los protocolos inseguros deshabilitados. Puede configurar su dispositivo según sea necesario, pero al hacerlo tenga en cuenta que puede estar disminuyendo la seguridad de su dispositivo y cualquier información contenida en el dispositivo. A medida que modifica la configuración predeterminada del dispositivo, tenga en cuenta cómo esto puede afectar la seguridad del dispositivo y su red. Además, debe tener precaución al conectar su dispositivo a Internet, especialmente si ha modificado la configuración de seguridad predeterminada. Si tiene alguna pregunta o inquietud acerca de cómo sus modificaciones del dispositivo pueden afectar su seguridad, comuníquese con el equipo de servicio al cliente de Legrand al 1-800-879-8585 / <https://www.legrand.us/support/wattstopper.aspx>

WARRANTY INFORMATION

WattStopper warrants its products to be free of defects in materials and workmanship for a period of five (5) years. There are no obligations or liabilities on the part of WattStopper for consequential damages arising out of, or in connection with, the use or performance of this product or other indirect damages with respect to loss of property, revenue or profit, or cost of removal, installation or reinstallation.

INFORMATIONS RELATIVES À LA GARANTIE

WattStopper garantit que ses produits sont exempts de défauts de matériaux et de fabrication pour une période de cinq (5) ans. WattStopper ne peut être tenu responsable de tout dommage consécutif causé par ou lié à l'utilisation ou à la performance de ce produit ou tout autre dommage indirect lié à la perte de propriété, de revenus, ou de profits, ou aux coûts d'enlèvement, d'installation ou de réinstallation.

INFORMACIÓN DE LA GARANTÍA

WattStopper garantiza que sus productos están libres de defectos en materiales y mano de obra por un período de cinco (5) años. No existen obligaciones ni responsabilidades por parte de Legrand/WattStopper por daños consecuentes que se deriven o estén relacionados con el uso o el rendimiento de este producto u otros daños indirectos con respecto a la pérdida de propiedad, renta o ganancias, o al costo de extracción, instalación o reinstalación.

No. 25745– 12/25 rev. 13

© Copyright 2025 Legrand All Rights Reserved.
© Copyright 2025 Tous droits réservés Legrand.
© Copyright 2025 Legrand Todos los derechos reservados.

The Bluetooth® word mark and logos are registered trademarks owned by the Bluetooth SIG, Inc. and any use of such marks by Wattstopper is under license.

Google Play and the Google Play logo are trademarks of Google Inc.

The Apple logo, iPhone, iPod touch, and iTunes are trademarks of Apple Inc., registered in the U.S. and other countries.

 **legrand®**

800.879.8585

www.legrand.us/wattstopper