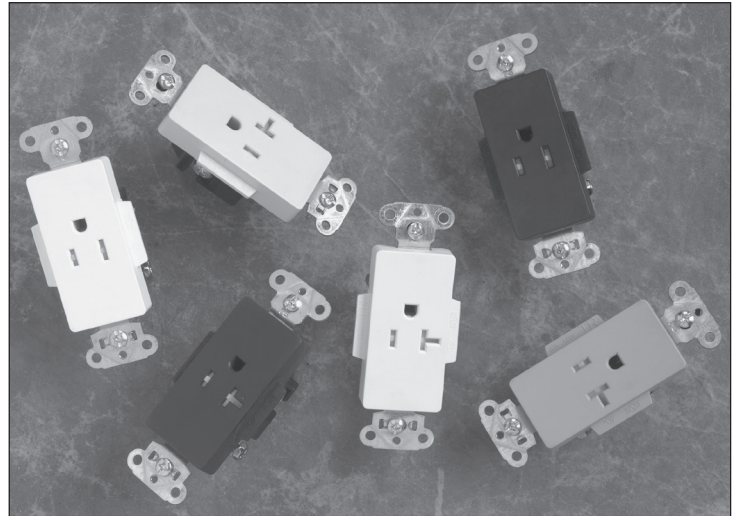


TR26261, TR26361

Sturdy tamper-resistant single receptacles in Decorator style.

Tamper-resistant child safety single receptacles that conform to NEC® Article 406.11 is now available in a Decorator-style. In addition to matching other Decorator devices, this product offers a Federal Specification UL WC596 listing. The sturdy mechanical shutter system helps prevent children from inserting foreign objects into the receptacle. Corrosion-resistant plated steel straps, rugged nylon faces and triple-wipe power contacts combine with tamper-resistant shutters to deliver safe and reliable long-term performance. Screw-pressure-plate back wiring ensures excellent electrical connections and easy installation.



FEATURES & BENEFITS

Two drive screws anchor steel strap to back body and face where abrupt removal torque is greatest.

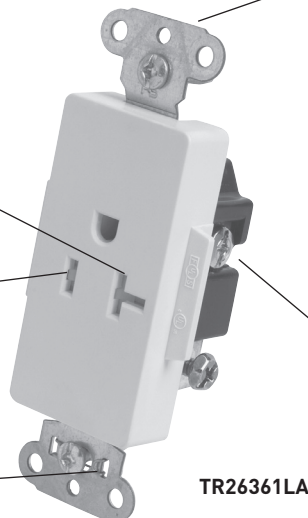
Heavy-duty corrosion-resistant zinc-plated steel strap for added strength.

One-piece brass triple-wipe power contacts for lasting retention.

Dual mechanical shutter system to help prevent insertion of foreign objects.

Backed-out tri-drive brass terminal screws for faster installation. Internal screw-pressure-plate back and side wire capability. Two back wire holes for additional wiring flexibility.

Auto-ground clip assures positive ground.



TR26361LA

FIELD USES/VERTICAL MARKETS

- Healthcare
- Institutional
- Hospitality/Lodging
- Multiple Dwelling



PASS & SEYMOUR®

Decorator Devices Heavy-Duty Single Receptacles Tamper-Resistant 15 & 20A, 125VAC

ORDERING INFORMATION

Catalog #	Ratings	Colors	NEMA Config. No.
Dead Front GFCIs — 11/2 HP Rating			
TR26261I	15A 125V	Ivory	5-15R
TR26261W	15A 125V	White	5-15R
TR26261	15A 125V	Brown	5-15R
TR26261GRY	15A 125V	Gray	5-15R
TR26261BK	15A 125V	Black	5-15R
TR26261LA	15A 125V	Light Almond	5-15R
TR26361I	20A 125V	Ivory	5-20R
TR26361W	20A 125V	White	5-20R
TR26361	20A 125V	Brown	5-20R
TR26361GRY	20A 125V	Gray	5-20R
TR26361BK	20A 125V	Black	5-20R
TR26361LA	20A 125V	Light Almond	5-20R



NEMA
5-15R



NEMA
5-20R

For more information on these and other P&S products refer to our Catalog or visit our web site.

Decorator Devices Heavy-Duty Single Receptacles Tamper-Resistant 15 & 20A, 125VAC

TECHNICAL SPECIFICATIONS

3rd Party Compliance

UL Listed, File Number E140596, Standard UL498.
 Federal Specification WC596.
 CSA Certified Standard CSA-C22.2 No. 42.
 Conforms to NEMA WD-1 and WD-6

Performance

Electrical

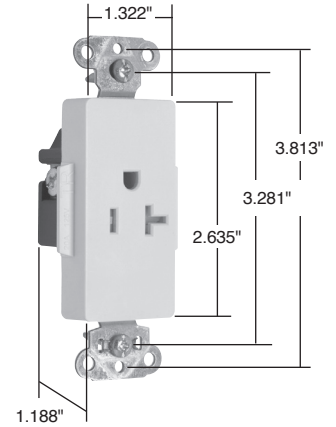
Dielectric Voltage	Withstands 2000V minimum
Maximum Working Voltage	125V
Current Interrupting	Certified for current interrupting at full-rated current
Temperature Rise	Maximum 30° C temperature rise at full-rated current after 50 cycles of overload at 150% of rated current with direct current

Mechanical

Terminal Identification	Terminals identified in accordance with UL498 (Hot, White, Green)
Terminal Accommodation	#14 AWG – #10 AWG solid or stranded copper conductor only
Product Identification	Ratings are a permanent part of device

Environmental

Flammability	UL94 V2
--------------	---------



**Dimensions for
15 & 20 Amp**

Material Specs

Face: Nylon
 Back Body: PVC
 Line Contacts: .032 (.8) Brass
 Mounting Strap: .042 Zinc-Plated Steel
 Clamping Plate: .080 Steel
 Tamper-Resistant Shutters: Thermoplastic
 Terminal Screws: Tri-Drive Brass
 Hex Head Grounding Screw: Tri-Drive Zinc-Plated Steel with Green Chromate
 Assembly Drive Screws: Zinc-Plated Steel
 Auto-Ground Clip: Stainless Steel
 Mounting Screws: Tri-Drive Steel

Warranty

1 Year

ALSO AVAILABLE...

- Hospital Grade Devices
- TVSS & Isolated Ground Devices
- Ground Continuity Monitoring (GCM)
- Straight Blade Plugs & Connectors
- Turnlok® Locking Devices
- Weatherproof Boxes & Covers
- IEC 309 Industrial Products
- Flexcor® Wire Mesh Grips
- Bulk Solutions



Electrical Wiring Systems

P.O. Box 4822
Syracuse, NY 13221-4822
Phone: 1.800.776.4035
www.legrand.us/passandseymour

570 Applewood Crescent
Vaughan, Ontario L4K 4B4
Phone: 905.738.9195
www.legrand.ca