

Wireless Miro 2000 Watt Universal Dimmer

Industry-exclusive universal dimmer controls most load types

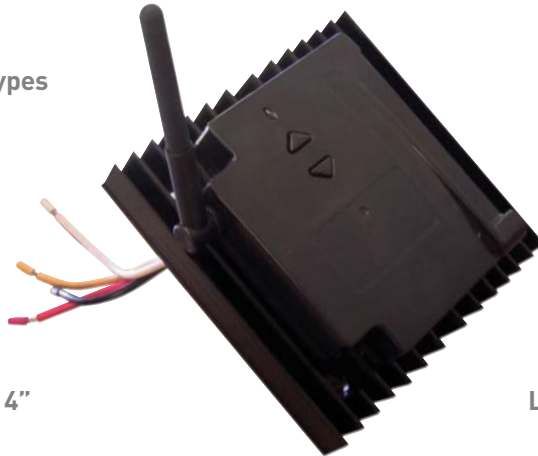
Optional fluorescent mode activates second dimming curve

Dual voltage (120/277 VAC)

Controllable from multiple locations over RF network; no control wiring

Plenum-rated; mounts in 4" square box

Last level recall



PROJECT

LOCATION/TYPE

Product Overview

Description

The Wireless Miro 2000W Universal Dimmer is a high capacity power device for operating dimmable lighting loads. It drives incandescent, magnetic low voltage, electronic low voltage (forward phase compatible), neon and cold-cathode, and dimmable two-wire linear and compact fluorescent (Advance Mark 10 or equivalent) loads. It also operates selected LED loads (contact the manufacturer to determine compatibility). Wireless dimmers can be controlled by Multilocation and Scene Controllers from an unlimited number of locations without the need for control wires.

Dimmer Operation

Users may operate the Dimmer by pressing the up or down buttons to raise or lower light levels, and may also recall the preset light level by tapping once on the up button. The Dimmer may be bound to and controlled by Multilocation Controllers, Scene Controllers, House Controllers and other Wireless devices within RF range. The Dimmer's LED communicates binding and operational status.

Features

- Topdog™ RF (radio frequency) communication protocol; 900MHz, bidirectional
- Recalls last used lighting level (preset)
- Stores 15 room and 10 house scenes
- Supports Panic mode operation
- Two second fade rate (default)
- Square law or fluorescent dimming curve
- Soft start technology significantly extends lamp life by limiting inrush current
- Compatible with most load types
- Power failure restore to last used level
- Long-life status LED
- Wall, plenum, or semi-recess mountable

Fluorescent Mode

Universal dimmers have two dimming curves, square law (default) and fluorescent, so that various loads on different dimmers will perform similarly. Fluorescent dimming is smooth, with a typical low level of approximately 5% (consult ballast manufacturer for specifics).

Applications

The Wireless Miro 2000W Dimmer is appropriate for applications where the load exceeds the capacity of Wireless wall box dimmers. The dual voltage 2000W Dimmer is also used when 277V loads are included in dimming scenes. Since the Dimmer is typically mounted in an equipment closet or plenum, a Multilocation Controller is recommended for convenient control.

For optimal performance, Miro devices should be distributed throughout an application. If dimmers are clustered together, a Repeater should be installed nearby. See ClusteringTechNote at www.wattstopper.com for more information (<http://www.wattstopper.com/getdoc/2414/ClusteringTechNote.pdf>, or search on "clustering."



Specifications

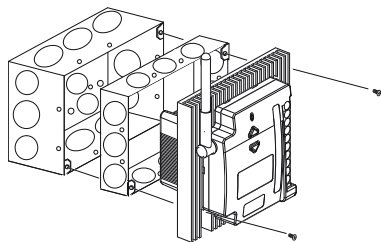
- Dual voltage 120/277 VAC; neutral required
- Normally open air-gap relay at load output
- Plenum-rated
- 900MHz radio, bidirectional
- Dimensions: 4.92" x 4.92" x 3.78" (125mm x 125mm x 96mm) L x W x D
- Operating conditions: for indoor use only; 32-104°F (0-40°C); 0-95% RH, non-condensing
- UL and cUL listed
- Five year warranty

Load Ratings

LOAD TYPE	120V	120V	277V	277V
	Minimum Load	Maximum Load	Minimum Load	Maximum Load
Incandescent/Quartz halogen	100W	2000W	--	--
MLV	100VA	2000VA	200VA	4432VA
ELV (forward phase compatible)	100VA	2000VA	--	--
Neon/Cold cathode	100VA	2000VA	--	--
Two-wire fluorescent (linear or compact, Advance Mark 10 or equivalent)	100VA	2000VA	200VA	4432VA

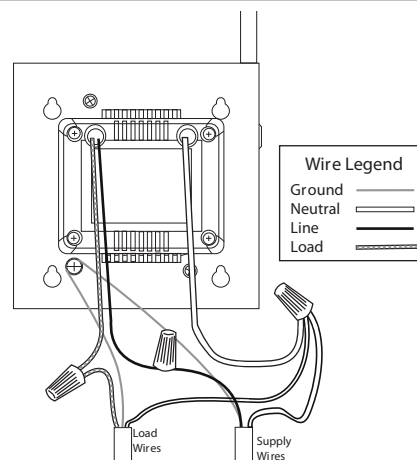
Mounting & Wiring

Mounting



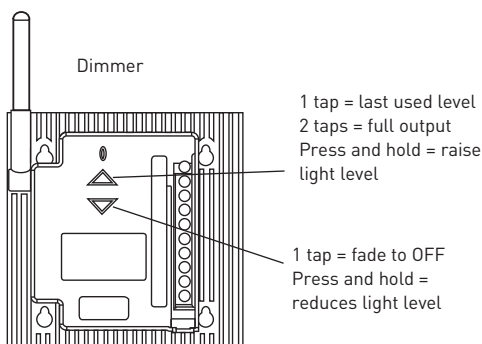
Mount the Miro 2000W dimmer vertically and provide 6" clearance above and below the dimmer for airflow. Requires 100 BTW/hour ventilation. Backbox (4" x 2-1/8") may be surface or recess mounted. Extension (1-1/2") must extend out from the wall.

Wiring Diagram

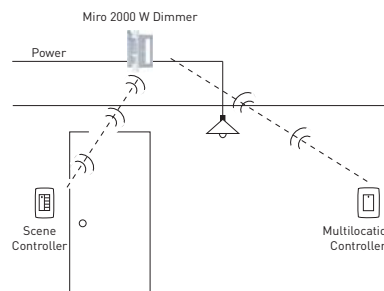


Operation & Application

Product Controls



Remote Mounting Application



This 2000W Miro Dimmer, mounted in the plenum, is controlled wirelessly by the Multilocation Controller and the Scene Controller.

Ordering Information

Catalog No.	Product Description	Voltage
MR2000	Miro 2000W Dimmer	120/277 VAC