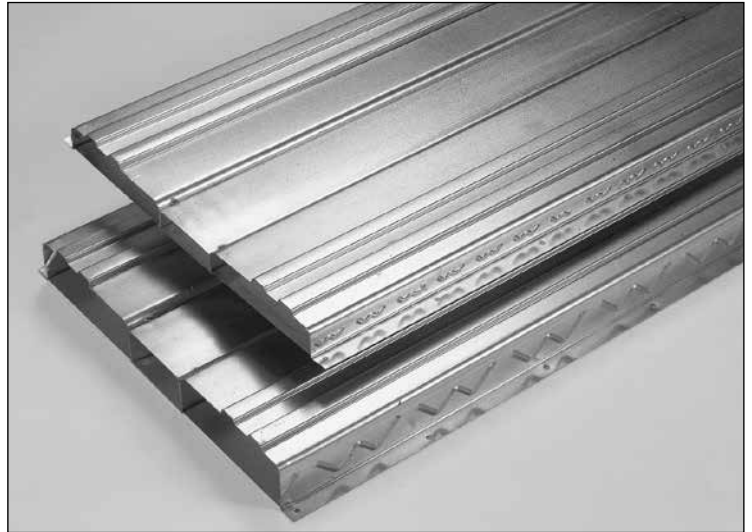


## High-capacity, three-in-one raceway system supports high density projects

Walkercell® Cellular Raceway is a three-in-one system that installs quickly and easily. It is ideal for high density projects such as call centers and educational facilities.

Walkercell includes three channels – two for data and one for power cabling. It also includes large triple-service presets throughout the raceway, allowing you to access all three channels through one activation or service fitting. Walkercell is compatible with Floorport service fittings, shown on page 8 of this document.

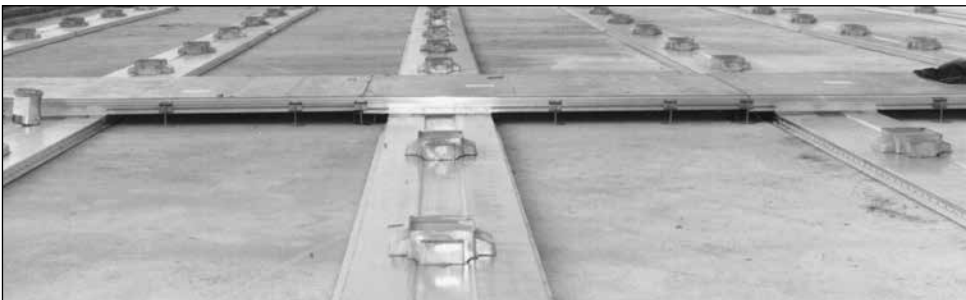
The system can be fed by junction boxes, Trenchduct, or Junction Box Header.



Sections of Walkercell Cellular Raceway.

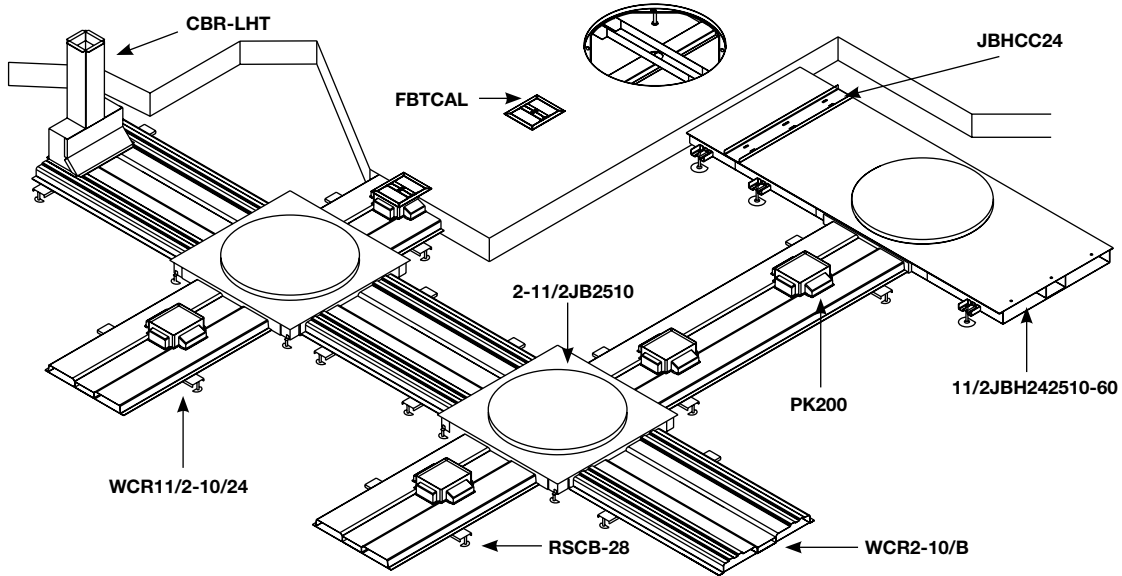
### FEATURES & BENEFITS

- **Ample bend radius throughout the system** maintains the integrity of fiber optic cable connections.
- **Triple service presets deliver up to three services to the workstation at one location.** These larger presets span all three cells and enable connection of FloorPort™ Service Fittings.
- **Junction Box Header is a high-capacity feeder system used only for Walkercell installations.** It is installed at the same height as the Walkercell raceway – typically 4-6” beneath the slab. It provides a comparable cable capacity to Trenchduct but enables installation in a smaller concrete slab.
- **FloorPort Service Fittings are UL scrub water listed.**



A Walkercell Cellular Raceway System installation with Trenchduct Feeder System.

## Walkercell Cellular Raceway System Layout



**NOTE:** Diagram is for part illustration only. Does not represent a typical system layout.

## Walkercell Cellular Raceway System Wire Fill Capacity Charts

### Walkercell Cellular Raceway Cable Fill Capacities – Communications

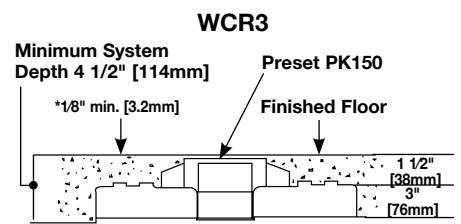
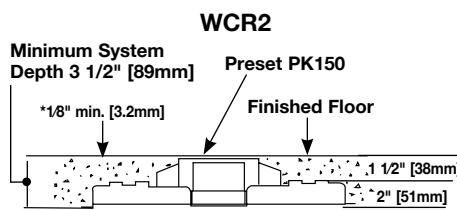
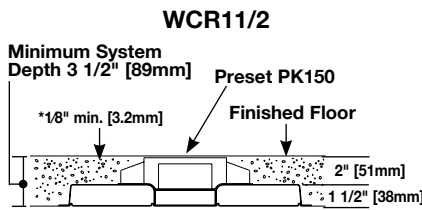
	CABLE/WIRE SIZE	DIAMETER (Approx.)		AREA (In <sup>2</sup> )		40% FILL		
		Inches	[mm]	Sq. In.	[Sq. mm]	WCR11/2 8.2 in. <sup>2</sup> [5264mm <sup>2</sup> ]	WCR2 11 in. <sup>2</sup> [7097mm <sup>2</sup> ]	WCR3 18.8 in. <sup>2</sup> [12130mm <sup>2</sup> ]
UNSHIELDED TWISTED PAIR	4-pair, 24 AWG, Cat 5	0.220	[5.6]	0.038	[24.5]	85	115	197
	4-pair, 24 AWG, Cat 6	0.250	[6.4]	0.049	[31.7]	66	89	153
TELEPHONE	2-pair, 24 AWG	0.140	[3.6]	0.015	[9.9]	217	285	488
	4-pair, 24 AWG	0.190	[4.8]	0.028	[18.1]	116	155	265
	25-pair, 24 AWG	0.410	[10.4]	0.132	[85.2]	24	33	56
COAXIAL	RG58/U	0.195	[4.9]	0.030	[19.4]	108	146	252
	RG59/U	0.242	[6.1]	0.046	[29.7]	70	96	162
	RG6/U	0.270	[6.8]	0.057	[36.8]	57	77	130
SHIELDED TWISTED PAIR	TYPE 1	0.390	[9.9]	0.119	[76.8]	27	37	63
	TYPE 2	0.465	[11.8]	0.170	[109.7]	19	26	44
	TYPE 3	0.245	[6.2]	0.047	[30.3]	69	93	159
FIBER	2 Strand	0.180	[4.6]	0.025	[16.1]	130	173	296
	4 Strand	0.190	[4.8]	0.028	[18.1]	116	155	264
	6 Strand	0.210	[5.3]	0.035	[22.6]	93	127	216
	Fiber ZipCord	0.110	[2.8]	0.010	[6.5]	326	463	791

### Walkercell Cellular Raceway Wire Fill Capacities – Power

WIRE SIZE AWG	DIAMETER		AREA (In <sup>2</sup> )		40% FILL		
	Inches	[mm]	Sq. In.	[Sq. mm]	WCR11/2 4.22 in. <sup>2</sup> [2722mm <sup>2</sup> ]	WCR2 4.3 in. <sup>2</sup> [2774mm <sup>2</sup> ]	WCR3 8.5 in. <sup>2</sup> [5484mm <sup>2</sup> ]
14	0.111	[2.8]	0.010	[6.5]	168	172	351
12	0.130	[3.3]	0.013	[8.4]	126	129	256
10	0.164	[4.2]	0.021	[13.5]	80	82	161
8	0.216	[5.4]	0.037	[23.9]	45	47	93
6	0.254	[6.4]	0.051	[32.9]	33	34	67
4	0.324	[8.2]	0.082	[52.9]	20	21	41

**NOTE:** When using a Junction Box, calculate fill capacity according to the smallest compartment.

## Walkercell Cellular Raceway Preset Selection Guide



OTHER SYSTEM DEPTHS FOR WCR11/2		
SYSTEM DEPTH	PRESET CAT. NO.	FILL OVER CELL
3 1/2" [89mm]	PK150	2" [51mm]
4" [102mm]	PK200	2 1/2" [64mm]
4 1/2" [114mm]	PK250	3" [76mm]
5" [127mm]	PK300	3 1/2" [89mm]
5 1/4" [133mm]	PK325	3 3/4" [95mm]
5 1/2" [140mm]	PK350	4" [102mm]

OTHER SYSTEM DEPTHS FOR WCR2		
SYSTEM DEPTH	PRESET CAT. NO.	FILL OVER CELL
3 1/2" [89mm]	PK150	1 1/2" [38mm]
4" [102mm]	PK200	2" [51mm]
4 1/2" [114mm]	PK250	2 1/2" [64mm]
5" [127mm]	PK300	3" [76mm]
5 1/4" [133mm]	PK325	3 1/4" [83mm]
5 1/2" [140mm]	PK350	3 1/2" [89mm]

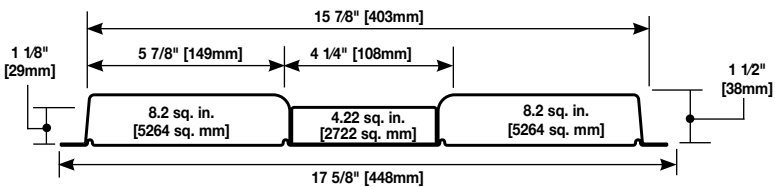
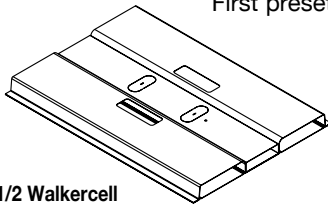
OTHER SYSTEM DEPTHS FOR WCR3		
SYSTEM DEPTH	PRESET CAT. NO.	FILL OVER CELL
4 1/2" [114mm]	PK150	1 1/2" [38mm]
5" [127mm]	PK200	2" [51mm]
5 1/2" [140mm]	PK250	2 1/2" [64mm]
6" [152mm]	PK300	3" [76mm]
6 1/4" [159mm]	PK325	3 1/4" [83mm]
6 1/2" [165mm]	PK350	3 1/2" [89mm]

Recommend a minimum of 1/8" [3.2mm] concrete over preset.  
\*If concrete depth over preset is over 3/4" [19.1mm] it may be difficult to break-out concrete and excessive spalling may occur. For system depth greater than above standard preset height use PK Extension Ring.

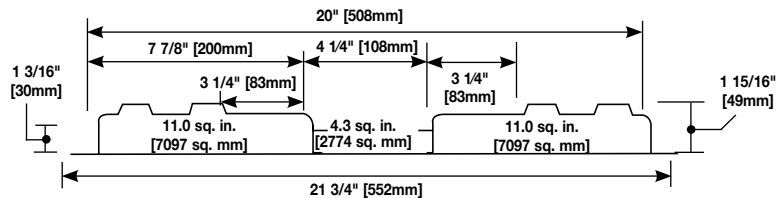
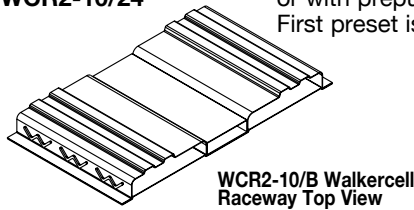
## Walkercell Cellular Raceway Ordering Information

Catalog No./Item	Description/Specifications
------------------	----------------------------

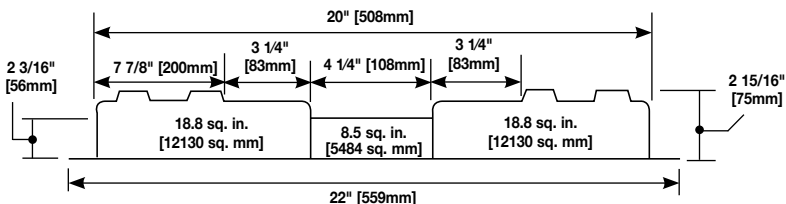
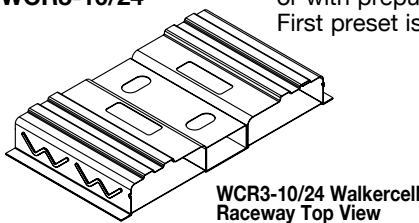
<b>WCR11/2-10/B</b> <b>WCR11/2-10/24</b>	<b>Walkercell Raceway</b> – Profile WCR11/2. 10' [3m] long without preset openings (WCR11/2-10/B) or with prepunched preset openings 24" [610mm] on center (WCR11/2-10/24). First preset is 12" [305mm] from end.
---	---



<b>WCR2-10/B</b> <b>WCR2-10/24</b>	<b>Walkercell Raceway</b> – Profile WCR2. 10' [3m] long without preset openings (WCR2-10/B) or with prepunched preset openings 24" [610mm] on center (WCR2-10/24). First preset is 12" [305mm] from end.
---------------------------------------	--

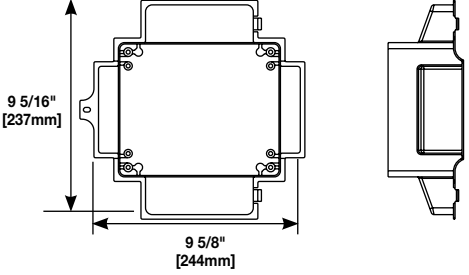


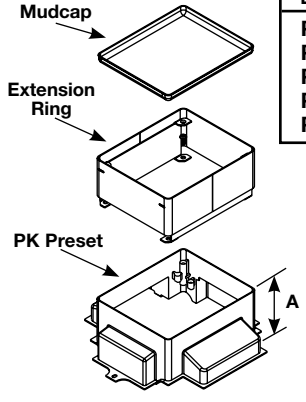
<b>WCR3-10/B</b> <b>WCR3-10/24</b>	<b>Walkercell Raceway</b> – Profile WCR3. 10' [3m] long without preset openings (WCR3-10/B) or with prepunched preset openings 24" [610mm] on center (WCR3-10/24). First preset is 12" [305mm] from end.
---------------------------------------	--

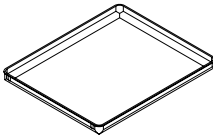


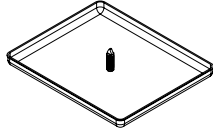
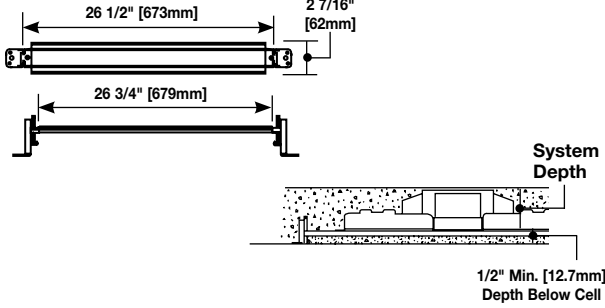
**NOTE:** PK Presets ordered separately. Order one PK Preset for each preset opening in the Walkercell.

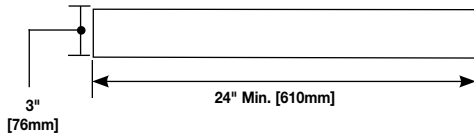
# Walkercell Cellular Raceway PK Series Presets & Fittings Ordering Information

Catalog No./Item	Description/Specifications
<b>PK150</b> <b>PK200</b> <b>PK250</b> <b>PK300</b> <b>PK325</b>	<p><b>Triple Service Preset</b> – Zinc die-cast construction with a removable steel cap that is recessed for concrete. Each preset is capable of housing two duplex power receptacles and up to eight communication connectors. Each preset has tapped openings for mounting brackets, adjusting ring and trim rings. The presets are field installed using one 3/16" [4.8mm] pop rivet (not provided). Preset extensions can be used to add height to presets as needed. See preset selection guide below to determine correct preset.</p> 

Catalog No./Item	Description/Specifications												
<b>PKER-10</b> <b>PKER-15</b> <b>PKER-20</b> <b>PKER-25</b> <b>PKER-30</b>	<p><b>PKER Extensions</b> – Attaches to preset to add height to preset. Can be field installed.</p> <table border="1" style="margin-left: auto; margin-right: auto;"> <thead> <tr> <th>Extension</th> <th>Height Above Preset "A"</th> </tr> </thead> <tbody> <tr> <td>PKER-10</td> <td>1" [25mm]</td> </tr> <tr> <td>PKER-15</td> <td>1 1/2" [38mm]</td> </tr> <tr> <td>PKER-20</td> <td>2" [51mm]</td> </tr> <tr> <td>PKER-25</td> <td>2 1/2" [64mm]</td> </tr> <tr> <td>PKER-30</td> <td>3" [76mm]</td> </tr> </tbody> </table> 	Extension	Height Above Preset "A"	PKER-10	1" [25mm]	PKER-15	1 1/2" [38mm]	PKER-20	2" [51mm]	PKER-25	2 1/2" [64mm]	PKER-30	3" [76mm]
Extension	Height Above Preset "A"												
PKER-10	1" [25mm]												
PKER-15	1 1/2" [38mm]												
PKER-20	2" [51mm]												
PKER-25	2 1/2" [64mm]												
PKER-30	3" [76mm]												

Catalog No./Item	Description/Specifications
<b>PKCAP</b>	<p><b>Mudcap</b> – Used to close off Walkercell PK Preset.</p> 

Catalog No./Item	Description/Specifications								
<b>PMS-415N</b>	<p><b>Marker Cap</b> – Replaces standard mudcap at ends of runs and near feeder to locate cellular runs after concrete placement.</p> 								
<b>RSCB-18</b> <b>RSCB-33</b> <b>RSCB-48</b>	<p><b>Raceway Supports</b> – Holds raceway at proper elevation during concrete placement. Fasten raceway to support using four self-drilling screws supplied. Supports are used at raceway butt joints and maximum 5' [1.524m] spacing between butt joint locations. See selection guide below. Suffix indicates distance between Walkercell and slab on grade.</p> <table border="1" style="margin-left: auto; margin-right: auto;"> <thead> <tr> <th>CAT. NO.</th> <th>HEIGHT ADJUSTMENT</th> </tr> </thead> <tbody> <tr> <td>RSCB-18</td> <td>1/2" [12.7mm] to 1 7/8" [48mm]</td> </tr> <tr> <td>RSCB-33</td> <td>1 1/2" [38mm] to 2 7/8" [73mm]</td> </tr> <tr> <td>RSCB-48</td> <td>2 1/2" [64mm] to 3 7/8" [98mm]</td> </tr> </tbody> </table> 	CAT. NO.	HEIGHT ADJUSTMENT	RSCB-18	1/2" [12.7mm] to 1 7/8" [48mm]	RSCB-33	1 1/2" [38mm] to 2 7/8" [73mm]	RSCB-48	2 1/2" [64mm] to 3 7/8" [98mm]
CAT. NO.	HEIGHT ADJUSTMENT								
RSCB-18	1/2" [12.7mm] to 1 7/8" [48mm]								
RSCB-33	1 1/2" [38mm] to 2 7/8" [73mm]								
RSCB-48	2 1/2" [64mm] to 3 7/8" [98mm]								

Catalog No./Item	Description/Specifications
<b>RGP</b>	<p><b>Grounding Plate</b> – Installed at raceway butt joints when Walkercell is placed on a mud slab or concrete sidewalks and RSCBs are not required. Used to maintain ground continuity between Walkercell Raceways. Fasten raceway to slab through 20 gauge grounding plate with power actuated fastener (not provided). Field installed.</p> 

# Walkercell Cellular Raceway PK Series Presets & Fittings Ordering Information (continued)

Catalog No./Item	Description/Specifications
<b>REC11/2</b> <b>REC</b>	<b>Blank End Closures</b> – Used to close off ends of raceway. End closures are held in place during concrete placement using blind rivets or welds. REC 11/2 is for WCR11/2 and REC is for WCR2, and WCR3.

Catalog No./Item	Description/Specifications
<b>CBR-HT</b> <b>CBR-LT</b> <b>CBR11/2-LHT</b> <b>CBR-LHT</b>	<b>Cell Boot Risers</b> – Allow access into one, two, or three cells simultaneously. Field cut oblong opening in raceway and rivet or weld riser to raceway. Void closures included
<p><b>CBR-HT (For Power Only)</b></p> <p><b>CBR-LT (Access to Two Communication Compartments)</b></p> <p><b>CBR11/2-LHT (Access to All Three Compartments with Power Separated)</b></p> <p><b>CBR-LHT (Access to All Three Compartments with Power Separated)</b></p>	<p><b>For WCR11/2</b></p> <p><b>For WCR2/WCR3</b></p>

Catalog No./Item	Description/Specifications
<b>REC11/2-C</b> <b>REC2-C</b> <b>REC3-C</b>	<b>End Closures</b> – Used to close off ends of raceway and provide conduit knockouts. End closures are held in place with blind rivets or welds.

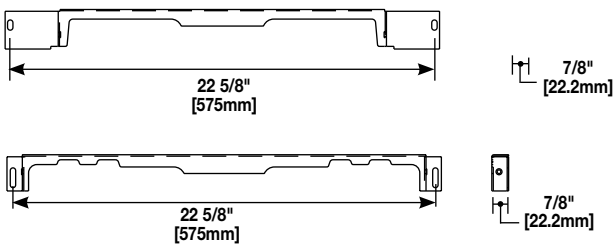
<b>REC11/2-CA</b> <b>REC2-CA</b> <b>REC3-CA</b>	<b>End Closures for Duct Stubs</b> – Provides ability to feed conduit from ends of raceway. Use with 312 Fittings below.

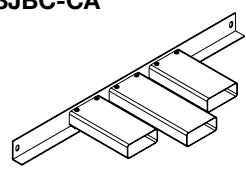
<b>312-3/4</b> <b>312-1</b> <b>312-11/4</b> <b>312-11/2</b> <b>312-2</b>	<b>Female Conduit Adapter</b> – Fits on outside of No. 2 duct. For one rigid or PVC conduit. Suffix indicates conduit size.


<b>22LHS-1/8</b> <b>22LHS-1/4</b>	<b>Carpet &amp; Tile Holder</b> – Placed on top of junction box cover plates to provide trim for flooring. Recessed to hold carpet or tile. Specify "B" for brass or "S" for steel. Suffix indicates depth.

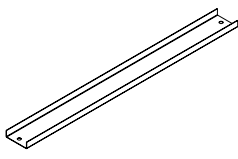
<b>22AER-11/2-21/4</b> <b>22AER-23/8-31/8</b>	<b>Adjustable Extension Ring</b> – For Walkercell junction boxes and junction box header. Suffix refers to adjustable height range of concrete over duct. Select appropriate AERHB-Hardware Bag (next column) to attach ring to box.

## Walkercell Cellular Raceway PK Series Presets & Fittings Ordering Information (continued)

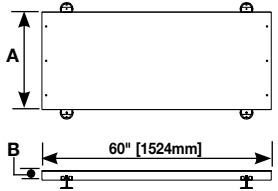
Catalog No./Item	Description/Specifications
1001757 929046	<p><b>Junction Box Adapters –</b> Side adapter to attach Walkercell Raceway to the box. Allows junction box side opening to be converted to another size by replacing adapter. WCR3 cannot be used with 2 1/2" [64mm] deep box. 1001757 is for WCR11/2 and 929046 is for WCR2 or WCR3.</p> 

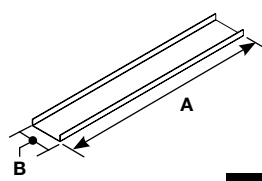
Catalog No./Item	Description/Specifications
11/2JBC-CA 22JBC-CA 33JBC-CA	<p><b>Junction Box Closure With Duct Stubs –</b> Provides ability to feed conduit from junction box. Use with 312 Fittings.</p> 

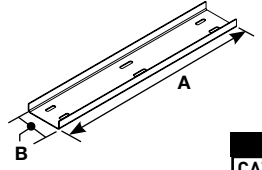
Catalog No./Item	Description/Specifications																																																
AERHB-116 -132 -148 -200 -048	<p><b>Hardware Bag –</b> For adjustable extension ring. Suffix indicates depth of concrete over junction box cover. Use chart below to determine hardware bag required.</p> 																																																
<table border="1" style="width: 100%; border-collapse: collapse;"> <thead> <tr> <th rowspan="2">Hardware Bag Cat. No.</th> <th colspan="6">Concrete Depth Over Walkercell</th> </tr> <tr> <th>1 1/2"</th> <th>1 5/8"</th> <th>1 3/4"</th> <th>1 7/8"</th> <th>2"</th> <th>2 1/8"-3"</th> </tr> </thead> <tbody> <tr> <td>AERHB-116</td> <td style="text-align: center;">X</td> <td></td> <td></td> <td></td> <td></td> <td></td> </tr> <tr> <td>AERHB-132</td> <td></td> <td style="text-align: center;">X</td> <td style="text-align: center;">X</td> <td></td> <td></td> <td></td> </tr> <tr> <td>AERHB-148</td> <td></td> <td></td> <td></td> <td style="text-align: center;">X</td> <td style="text-align: center;">X</td> <td></td> </tr> <tr> <td>AERHB-200</td> <td></td> <td></td> <td></td> <td></td> <td></td> <td style="text-align: center;">X</td> </tr> <tr> <td>AERHB-048</td> <td></td> <td></td> <td></td> <td></td> <td></td> <td style="text-align: center;">X</td> </tr> </tbody> </table>		Hardware Bag Cat. No.	Concrete Depth Over Walkercell						1 1/2"	1 5/8"	1 3/4"	1 7/8"	2"	2 1/8"-3"	AERHB-116	X						AERHB-132		X	X				AERHB-148				X	X		AERHB-200						X	AERHB-048						X
Hardware Bag Cat. No.	Concrete Depth Over Walkercell																																																
	1 1/2"	1 5/8"	1 3/4"	1 7/8"	2"	2 1/8"-3"																																											
AERHB-116	X																																																
AERHB-132		X	X																																														
AERHB-148				X	X																																												
AERHB-200						X																																											
AERHB-048						X																																											

Catalog No./Item	Description/Specifications
11/2JBC 22JBC 33JBC	<p><b>Junction Box Closure –</b> Attaches to side of junction box to close access. 11/2JBC is for WCR11/2, 22JBC is for WCR2, and 33JBC is for WCR3.</p> 

## Walkercell Cellular Raceway Headerduct Ordering Information

Catalog No./Item	Description/Specifications															
	<p><b>Walkercell Headerduct –</b> Used as a feeder raceway for Walkercell Systems. Standard length is 60" [1524mm]. All Headerduct is furnished with 1/4-20 threaded holes at each end to fasten coupling channels.</p>															
<table border="1" style="width: 100%; border-collapse: collapse;"> <thead> <tr> <th colspan="3">Walkercell Headerduct</th> </tr> <tr> <th>CATALOG NO.</th> <th>A</th> <th>B</th> </tr> </thead> <tbody> <tr> <td>WCHD2425-60</td> <td>24" [610mm]</td> <td>2 1/2" [64mm]</td> </tr> <tr> <td>WCHD3025-60</td> <td>30" [762mm]</td> <td>2 1/2" [64mm]</td> </tr> <tr> <td>WCHD3625-60</td> <td>36" [915mm]</td> <td>2 1/2" [64mm]</td> </tr> </tbody> </table>		Walkercell Headerduct			CATALOG NO.	A	B	WCHD2425-60	24" [610mm]	2 1/2" [64mm]	WCHD3025-60	30" [762mm]	2 1/2" [64mm]	WCHD3625-60	36" [915mm]	2 1/2" [64mm]
Walkercell Headerduct																
CATALOG NO.	A	B														
WCHD2425-60	24" [610mm]	2 1/2" [64mm]														
WCHD3025-60	30" [762mm]	2 1/2" [64mm]														
WCHD3625-60	36" [915mm]	2 1/2" [64mm]														

Catalog No./Item	Description/Specifications															
	<p><b>Headerduct End Closure –</b> Used to close end of Headerduct, Header Junction Boxes, or Junction Box Header. Secured with blind rivet or weld.</p>															
<table border="1" style="width: 100%; border-collapse: collapse;"> <thead> <tr> <th colspan="3">Headerduct End Closure</th> </tr> <tr> <th>CATALOG NO.</th> <th>A</th> <th>B</th> </tr> </thead> <tbody> <tr> <td>JBHEC2425</td> <td>24" [610mm]</td> <td>2 1/2" [64mm]</td> </tr> <tr> <td>JBHEC3025</td> <td>30" [762mm]</td> <td>2 1/2" [64mm]</td> </tr> <tr> <td>JBHEC3625</td> <td>36" [915mm]</td> <td>2 1/2" [64mm]</td> </tr> </tbody> </table>		Headerduct End Closure			CATALOG NO.	A	B	JBHEC2425	24" [610mm]	2 1/2" [64mm]	JBHEC3025	30" [762mm]	2 1/2" [64mm]	JBHEC3625	36" [915mm]	2 1/2" [64mm]
Headerduct End Closure																
CATALOG NO.	A	B														
JBHEC2425	24" [610mm]	2 1/2" [64mm]														
JBHEC3025	30" [762mm]	2 1/2" [64mm]														
JBHEC3625	36" [915mm]	2 1/2" [64mm]														

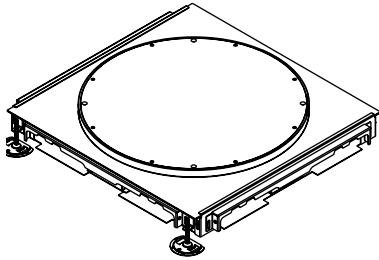
Catalog No./Item	Description/Specifications															
	<p><b>Coupling Channels –</b> Used to connect ends of Headerduct Junction Boxes together. Channels are furnished with 1/4-20 screws.</p>															
<table border="1" style="width: 100%; border-collapse: collapse;"> <thead> <tr> <th colspan="3">Headerduct Coupling Channel</th> </tr> <tr> <th>CATALOG NO.</th> <th>A</th> <th>B</th> </tr> </thead> <tbody> <tr> <td>JBHCC24</td> <td>24" [610mm]</td> <td>2 1/2" [64mm]</td> </tr> <tr> <td>JBHCC30</td> <td>30" [762mm]</td> <td>2 1/2" [64mm]</td> </tr> <tr> <td>JBHCC36</td> <td>36" [915mm]</td> <td>2 1/2" [64mm]</td> </tr> </tbody> </table>		Headerduct Coupling Channel			CATALOG NO.	A	B	JBHCC24	24" [610mm]	2 1/2" [64mm]	JBHCC30	30" [762mm]	2 1/2" [64mm]	JBHCC36	36" [915mm]	2 1/2" [64mm]
Headerduct Coupling Channel																
CATALOG NO.	A	B														
JBHCC24	24" [610mm]	2 1/2" [64mm]														
JBHCC30	30" [762mm]	2 1/2" [64mm]														
JBHCC36	36" [915mm]	2 1/2" [64mm]														

# Walkercell Cellular Raceway Junction Boxes Ordering Information

## Catalog No./Item

## Description/Specifications

### Junction Boxes



**Junction Boxes** – Used at intersections of Walkercell Raceway. Partitions inside box maintain separation of services. 22" [559mm] dia. cover provides access inside box. Access ring is 1" [25mm] over box. Order extension ring for additional height. Cover plates have 1/2" [12.7mm] upward adjustment for precise leveling after the pour. Side openings on junction boxes can be replaced to fit other Walkercell profiles. Cell dimensions are 24" x 26" [610mm x 660mm].

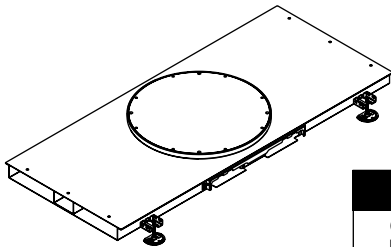
\*WCR2 feeds WCR11/2 distribution and WCR3 feeds WCR2 distribution.

**NOTE:** The minimum depth of Junction Box is 1/2" [12.7mm] higher than WCR2 and WCR3, and is 1" [25mm] higher than WCR11/2.

### Junction Box Selection Chart

CATALOG NO.	SIDE OPENINGS	HEIGHT OF BOX
11/2JB2510	Four – WCR11/2	2 1/2" [64mm]
22JB2510	Four – WCR2	2 1/2" [64mm]
33JB3510	Four – WCR3	3 1/2" [89mm]
2-11/2JB2510*	Two – WCR11/2, Two – WCR2	2 1/2" [64mm]
32JB3510*	Two – WCR2, Two – WCR3	3 1/2" [89mm]

### JBH Series



**Junction Box Header** – Used as a large capacity feeder system for Walkercell. Cellular raceway attaches to side of box. 22" [559mm] dia. cover plate access at center of unit. Standard length is 60" [1524mm]. The minimum depth of any JB, JHB, or HJB is 1/2" [12.7mm] higher than WCR2 and WCR3 and 1" higher than WCR11/2.

**NOTE:** All capacities based on a minimum 80% allowance where cables may encounter a restriction point inside of junction box. Consult factory for WCR3 capacities.

### Junction Box Headers Used With WCR11/2

Catalog Number	Body Width	Body Depth	Ring Height	Syst. Depth	Power Capacity [sq. in. mm <sup>2</sup> ]	Power Comp. Width	Communication Capacity [x2, sq. in. mm <sup>2</sup> ]
11/2JBH24251060	24" [610mm]	2 1/2" [64mm]	1" [25mm]	3 1/2" [89mm]	6.64 [4283.9mm <sup>2</sup> ]	4 1/4" [108mm]	18.60 [12000.0mm <sup>2</sup> ]
11/2JBH30251560	30" [762mm]	2 1/2" [64mm]	1 1/2" [38mm]	3 1/2" [89mm]	8.64 [5574.2mm <sup>2</sup> ]	5 1/8" [130mm]	27.91 [18006.4mm <sup>2</sup> ]
11/2JBH36251560	36" [915mm]	2 1/2" [64mm]	1 1/2" [38mm]	4" [102mm]	10.62 [6851.6mm <sup>2</sup> ]	6" [152mm]	31.25 [20161.3mm <sup>2</sup> ]

### Junction Box Headers Used With WCR2

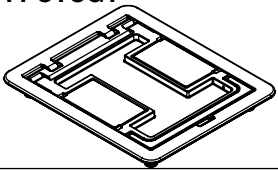
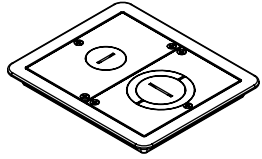
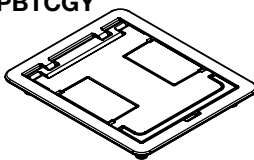
Catalog Number	Body Width	Body Depth	Ring Height	Syst. Depth	Power Capacity [sq. in. mm <sup>2</sup> ]	Power Comp. Width	Communication Capacity [x2, sq. in. mm <sup>2</sup> ]
2JBH242510-60	24" [610mm]	2 1/2" [64mm]	1" [25mm]	3 1/2" [89mm]	6.64 [4283.9mm <sup>2</sup> ]	4 1/4" [108mm]	19.78 [12761.3mm <sup>2</sup> ]
2JBH302515-60	30" [762mm]	2 1/2" [64mm]	1 1/2" [38mm]	4" [102mm]	8.64 [5574.2mm <sup>2</sup> ]	5 1/8" [130mm]	26.49 [17090.3mm <sup>2</sup> ]
2JBH362515-60	36" [915mm]	2 1/2" [64mm]	1 1/2" [38mm]	4" [102mm]	10.62 [6851.6mm <sup>2</sup> ]	6" [152mm]	28.53 [18406.4mm <sup>2</sup> ]

## Service Fittings

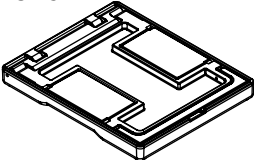
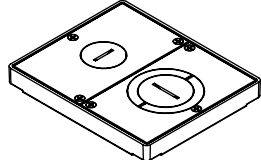
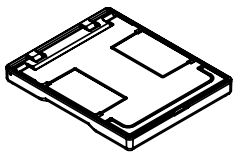
### FLOORPORT PART NUMBER CONFIGURATOR

FP	B	TC	NK
FloorPort Cover	Blank Top Cutout Top Furniture Feed	B Tile (Flangeless) C Tile/Carpet (Flanged) FF	T TC
			Nickel Brass Black Bronze Gray Brushed Aluminum
			NK BS BK BZ GY AL

### FloorPort Series Flanged Cover Assemblies Ordering Information

Catalog No./Item	Description/Specifications	Catalog No./Item	Description/Specifications
<b>FPCTCBK</b> <b>FPCTCBZ</b> <b>FPCTCBS</b> <b>FPCTCNK</b> <b>FPCTCAL</b> <b>FPCTCGY</b> 	<b>Cutout Cover Assembly –</b> Flanged cover for use in tile or carpet installation. Die-cast aluminum assembly available in black (BK), bronze (BZ), brass (BS), nickel (NK), gray (GY), or brushed aluminum (AL). Insert in lid allows for carpet or tile cutouts to match finished floor.  <b>Country of Origin: India</b>	<b>FPFFTCBK</b> <b>FPFFTCBZ</b> <b>FPFFTCBS</b> <b>FPFFTCNK</b> <b>FPFFTCAL</b> <b>FPFFTCGY</b> 	<b>Furniture Feed Cover Assembly –</b> Flanged cover for use in tile or carpet installation. Die-cast aluminum assembly available in black (BK), bronze (BZ), brass (BS), nickel (NK), gray (GY), or brushed aluminum (AL). Provided with one 1" trade size screw plug for power or communication type cabling and one combination 1 1/4" and 2" trade size screw plug for communication type cabling. Allows for feeding both power and communication cabling.  <b>Country of Origin: USA</b>
<b>FPBTCBK</b> <b>FPBTCBZ</b> <b>FPBTCBS</b> <b>FPBTCNK</b> <b>FPBTCAL</b> <b>FPBTCGY</b> 	<b>Blank Cover Assembly –</b> Flanged cover for use in tile or carpet installation. Die-cast aluminum assembly available in black (BK), bronze (BZ), brass (BS), nickel (NK), gray (GY), or brushed aluminum (AL). Lid area is flush with the finished floor, no cutouts provided.  <b>Country of Origin: India</b>		

### FloorPort Series Flangeless Cover Assemblies Ordering Information

Catalog No./Item	Description/Specifications	Catalog No./Item	Description/Specifications
<b>FPCTBK</b> <b>FPCTBZ</b> <b>FPCTBS</b> <b>FPCTNK</b> <b>FPCTAL</b> <b>FPCTGY</b> 	<b>Cutout Cover Assembly –</b> Flangeless cover for use in tile installations. Die-cast aluminum assembly available in black (BK), bronze (BZ), brass (BS), nickel (NK), gray (GY), or brushed aluminum (AL). Insert in lid allows for tile cutouts to match finished floor.  <b>Country of Origin: India</b>	<b>FPFFTBK</b> <b>FPFFTBZ</b> <b>FPFFTBS</b> <b>FPFFTNK</b> <b>FPFFTAL</b> <b>FPFFTGY</b> 	<b>Furniture Feed Cover Assembly –</b> Flangeless cover for use in tile installations. Die-cast aluminum assembly available in black (BK), bronze (BZ), brass (BS), nickel (NK), gray (GY), or brushed aluminum (AL). Provided with one 1" trade size screw plug for power or communication type cabling and one combination 1 1/4" and 2" trade size screw plug for communication type cabling. Allows for feeding both power and communication cabling.  <b>Country of Origin: USA</b>
<b>FPBTBK</b> <b>FPBTBZ</b> <b>FPBTBS</b> <b>FPBTNK</b> <b>FPBTAL</b> <b>FPBTGY</b> 	<b>Blank Cover Assembly –</b> Flangeless cover for use in tile installations. Die-cast aluminum assembly available in black (BK), bronze (BZ), brass (BS), nickel (NK), gray (GY), or brushed aluminum (AL). Lid area is flush with the finished floor, no cutouts provided.  <b>Country of Origin: India</b>		

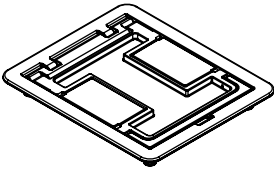
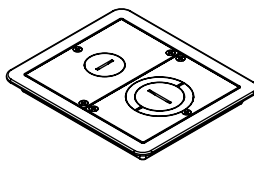
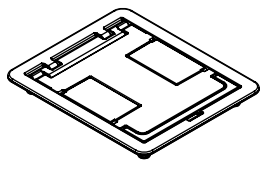
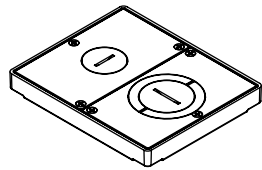
**NOTE:** Pricing varies depending on country of origin. Consult your local sales representative for more information.

## Service Fittings

### NORTH AMERICAN MADE FLOORPORT PART NUMBER CONFIGURATOR

FP	B	TC	NK	NA
FloorPort Cover	Blank Top Cutout Top Furniture Feed	B C FF	Tile (Flangeless) T Tile/Carpet TC (Flanged)	Nickel Brass Black Bronze Gray Brushed Aluminum
				NK BS BK BZ GY AL
				North American Made

### North American Made FloorPort Series Flanged Cover Assemblies Ordering Information

Catalog No./Item	Description/Specifications	Catalog No./Item	Description/Specifications
<b>FPCTCBK-NA</b> <b>FPCTCBZ-NA</b> <b>FPCTCBS-NA</b> <b>FPCTCNK-NA</b> <b>FPCTCGY-NA</b>	<b>Cutout Cover Assembly –</b> Flanged cover for use in tile or carpet installation. Die-cast aluminum assembly available in black (BK), bronze (BZ), brass (BS), nickel (NK), or gray (GY). Insert in lid allows for carpet or tile cutouts to match finished floor.	<b>FPFFTCBK</b> <b>FPFFTCBZ</b> <b>FPFFTCBS</b> <b>FPFFTCNK</b> <b>FPFFTCAL</b> <b>FPFFTCGY</b>	<b>Furniture Feed Cover Assembly –</b> Flanged cover for use in tile or carpet installation. Die-cast aluminum assembly available in black (BK), bronze (BZ), brass (BS), nickel (NK), gray (GY), or brushed aluminum (AL). Provided with one 1" trade size screw plug for power or communication type cabling and one combination 1 1/4" and 2" trade size screw plug for communication type cabling. Allows for feeding both power and communication cabling.
	Country of Origin: USA		Country of Origin: USA
<b>FPBTCBK-NA</b> <b>FPBTCBZ-NA</b> <b>FPBTCBS-NA</b> <b>FPBTCNK-NA</b> <b>FPBTCGY-NA</b>	<b>Blank Cover Assembly –</b> Flanged cover for use in tile or carpet installation. Die-cast aluminum assembly available in black (BK), bronze (BZ), brass (BS), nickel (NK), or gray (GY). Lid area is flush with the finished floor, no cutouts provided.	<b>FPFFTBK</b> <b>FPFFTBZ</b> <b>FPFFTBS</b> <b>FPFFTNK</b> <b>FPFFTAL</b> <b>FPFFTGY</b>	<b>Furniture Feed Cover Assembly –</b> Flangeless cover for use in tile installations. Die-cast aluminum assembly available in black (BK), bronze (BZ), brass (BS), nickel (NK), gray (GY), or brushed aluminum (AL). Provided with one 1" trade size screw plug for power or communication type cabling and one combination 1 1/4" and 2" trade size screw plug for communication type cabling. Allows for feeding both power and communication cabling.
	Country of Origin: USA		Country of Origin: USA

**NOTE:** Pricing varies depending on country of origin. Consult your local sales representative for more information.

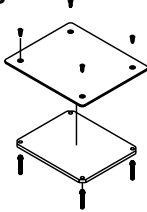
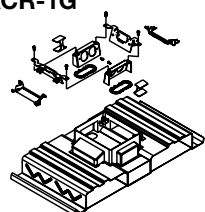
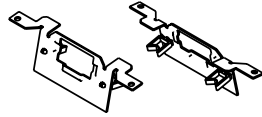
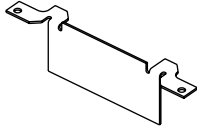
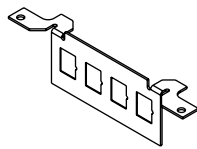
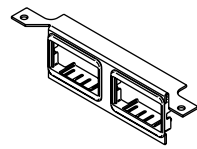
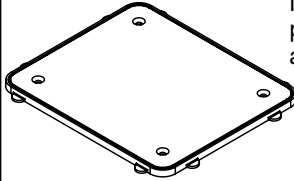
#### LOAD CAPACITIES FOR FLOORPORT COVER ASSEMBLIES

CATALOG NUMBERS	MAXIMUM LOAD IN POUNDS
FPCTC	1000
FPBTC	750
FPFFTC	1000
FPCT	1000
FPBT	750
FPFFT	1000

**NOTE:** Load applied through a 2" [51mm] mandrel in center of service fitting. Loads above are static loads only and do not pertain to rolling loads.

## Service Fittings

### FloorPort Series Accessories Ordering information

Catalog No./Item	Description/Specifications
<p><b>S3AXB</b></p> 	<p><b>Blanking Plate –</b> Aluminum top plate with steel support plate and four (4) adjusting screws.</p> <p style="text-align: right;"><b>Country of Origin: USA</b></p>
<p><b>WPACR-1G</b></p> 	<p><b>Internal Bracket –</b> Two duplex receptacle brackets, receptacle insulators, power grommets, and bend radius control grommets. Communication brackets ordered separately.</p> <p style="text-align: right;"><b>Country of Origin: USA</b></p>
<p><b>DTB-2-2A</b></p> 	<p><b>Communication Bracket –</b> Plastic clips on back of bracket provide cable storage loop. For use with WPACR. Activate 2A jacks snap directly into bracket.</p> <p style="text-align: right;"><b>Country of Origin: USA</b></p>
<p><b>DTB-2-B</b></p> 	<p><b>Communication Bracket –</b> Blank bracket for customization in field. For use with WPACR. Wiremold Open System inserts sold separately.</p> <p style="text-align: right;"><b>Country of Origin: USA</b></p>
<p><b>DTB-2-4TKO</b></p> 	<p><b>Communication Bracket –</b> Four knockouts for RJ style jacks. For use with WPACR. Wiremold Open System inserts sold separately.</p> <p style="text-align: right;"><b>Country of Origin: USA</b></p>
<p><b>DTB-2-2AB</b> <b>DTB-2-2RT</b></p> 	<p><b>Communication Bracket –</b> Bracket for Activate (DTB-2-2AB) or Ortronics® (DTB-2-2RT) devices. Ortronics® and Activate adapters included.</p> <p style="text-align: right;"><b>Country of Origin: USA</b></p>
<p><b>FP-CTR</b></p> 	<p><b>Bare Concrete &amp; Terrazzo Ring –</b> Nonmetallic ring for use on bare polished concrete and terrazzo floor applications.</p> <p style="text-align: right;"><b>Country of Origin: USA</b></p>

**NOTE: All device plates and accessories shown on this page are made in the United States of America.**

## Service Fittings

### FloorPort Activation Accessories for Use with Walkercell and Walkerdeck Systems

Catalog No./Item	Description/Specifications
<p><b>WPACR-1G (Shown)</b></p> <p><b>WPACR-2G</b></p> <p><b>WPACR-3G</b></p>	<p><b>Internal Bracket</b> – Two duplex receptacle brackets, receptacle insulators, power grommets, and bend radius control grommets. For use with recessed activations. Communication brackets ordered separately. See next page.</p> <p><b>Country of Origin: USA</b></p> <p><b>Internal Bracket</b> – Two 15A, 120V duplex receptacles, two duplex receptacle brackets, receptacle insulators, power grommets, and bend radius control grommets. For use with recessed activations. Communication brackets ordered separately. See next page.</p> <p><b>Country of Origin: USA</b></p> <p><b>Internal Bracket</b> – Two 20A, 120V duplex receptacles, two duplex receptacle brackets, receptacle insulators, power grommets, and bend radius control grommets. For use with recessed activations. Communication brackets ordered separately. See next page.</p> <p><b>Country of Origin: USA</b></p>

### Bend Radius Control Grommets

Catalog No./Item	Description/Specifications
<p><b>PKGRBR</b></p>	<p><b>PK Preset Grommet</b> – Bend radius control grommet used with PK preset. Maintains 1 1/4" [32mm] minimum cable lay-in radius.</p> <p><b>Country of Origin: USA</b></p> <p><b>NOTE: Not for use with communication brackets DTB-2-2AB or DTB-2-2RT.</b></p>

**NOTE: All device plates and accessories shown on this page are made in the United States of America.**

### FloorPort Bracket Compatibility

Fittings intended for a cellular raceway system must have a minimum of 2 1/2" [64 mm] of concrete topping over the top of the deck. A typical UL Fire Classified floor activation will consist of the following components:

PK Series Preset Inserts			
“( ) ” Maximum Quantity of Units Allowed Inside of Preset Insert			
COVER ASSEMBLY	ACTIVATION ASSEMBLY	BARRIER ASSEMBLY	COMMUNICATION BRACKET
FPBTC FPCTC FPBT FPCT	(1) WPACR	—	(2) DTB-2
FPFFTC FPFFT		(1) PKKIT	(1) DTB-2FP

# NOTES



## Electrical Wiring Systems

60 Woodlawn Street  
West Hartford, CT 06110  
Phone: 1.877.BY.LEGRAND (295-3472)  
[www.legrand.us](http://www.legrand.us)

570 Applewood Crescent  
Vaughan, Ontario L4K 4B4  
Phone: 905.738.9195  
[www.legrand.ca](http://www.legrand.ca)

