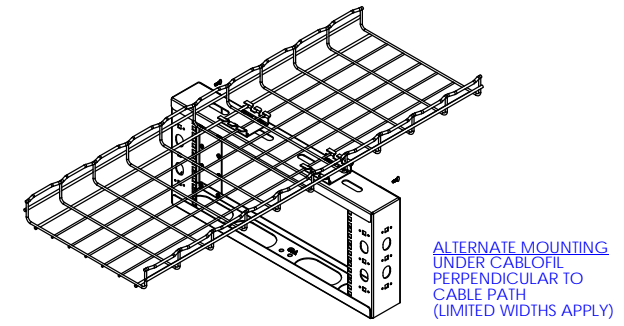
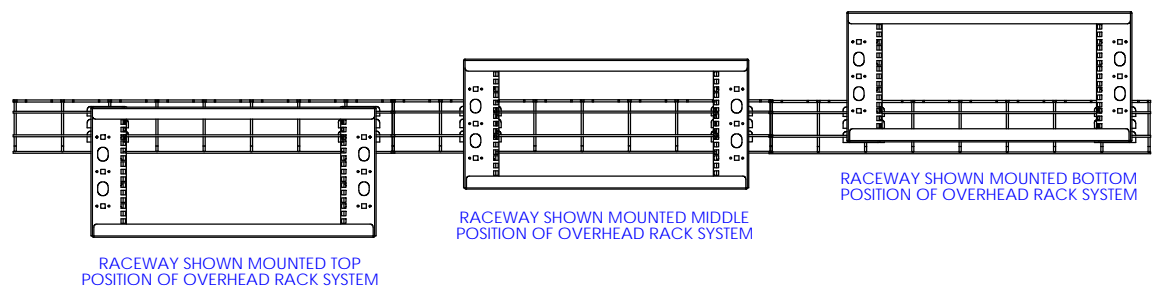
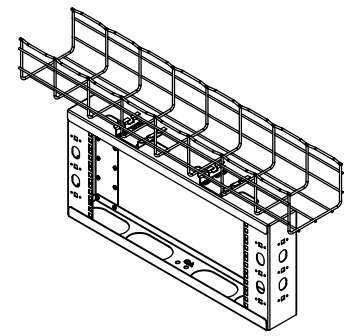
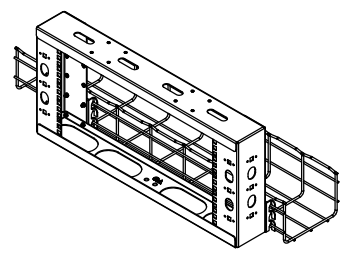
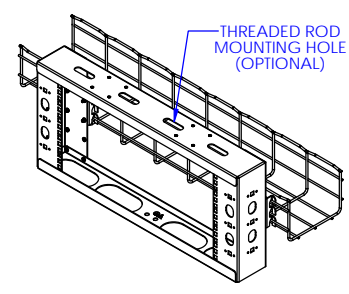
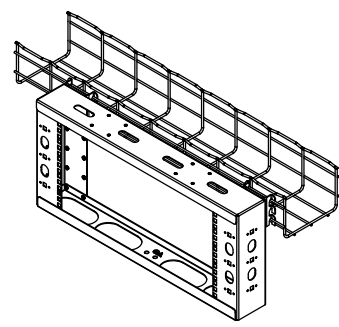
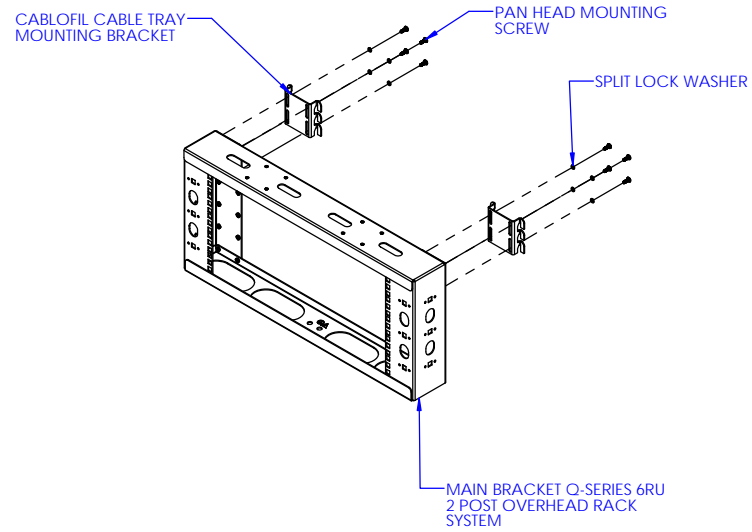


OR-OSOHR-5RU-W	WHITE
OR-OSOHR-5RU-B	BLACK
PART NO	COLOR
PART NUMBER DESIGNATIONS	



UNLESS OTHERWISE STATED, DIMENSIONS ARE IN INCHES		*** NOTICE *** THIS DOCUMENT CONTAINS CONFIDENTIAL AND/OR PROPRIETARY INFORMATION INTENDED FOR USE ONLY BY THE INDIVIDUAL(S) PROVIDED. NEITHER THIS DOCUMENT, NOR ANY INFORMATION CONTAINED HEREIN, MAY BE COPIED, DISTRIBUTED, DISCLOSED TO ANY THIRD PARTY OR USED IN ANY MANNER OTHER THAN FOR WHICH IT HAS BEEN PROVIDED, WITHOUT THE PRIOR WRITTEN CONSENT OF LEGRAND, INC.		legrand WWW.LEGRAND.US	
TOLERANCES: FRACTIONAL ± 1/16" ANGULAR MATCH ± 1° BEND ± 1° ONE PLACE DECIMAL ± 0.02 TWO PLACE DECIMAL ± 0.01 THREE PLACE DECIMAL ± 0.005		TITLE OVERHEAD CABLE PATHWAY, Q SERIES, 5RU		REV 01	
MATERIAL SEE INDIVIDUAL COMPONENTS	FINISH SEE TAB BLOCK	NAME JS	DATE 2/10/2017	SIZE C	CAD FILE OSOHR5RUXC
		CHK JQ	DATE 2/13/2017	SCALE 1:8	DWG NO OR-OSOHR-5RU-X
		APPR CV	DATE 2/16/2017		SHEET 1 OF 1