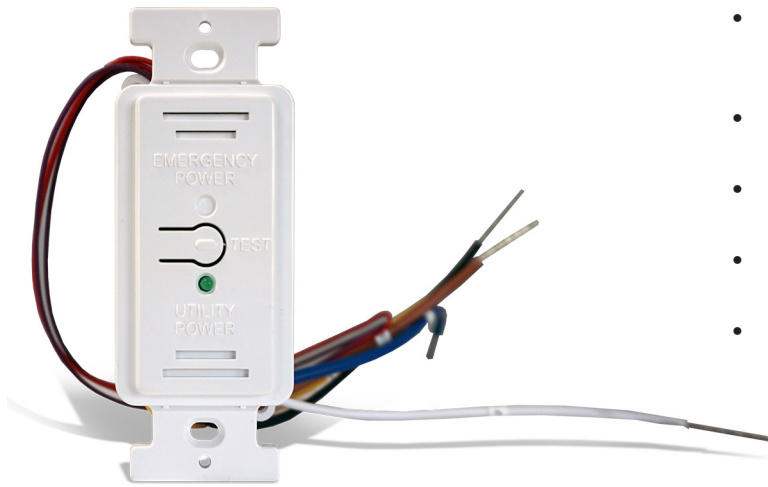


## EMERGENCY SHUNT RELAY

| AD-RRU-X-UNV



- Bypasses line voltage and 0-10V dimming signal to ensure an emergency fixture illuminates at full brightness during a power interruption
- Converts 20A of normal light fixtures to approved emergency lights
- Universal mounting provides flush, fixture, plenum, or panel mounting
- Small size ideal for junction box mounting in wireless lighting control systems
- Test switch and LED allow for quick testing of proper function

### Description

The AD-RRU-X-UNV includes a 20A rated high-voltage Form C (N/O+N/C) relay and a low-voltage Form A (N/O) relay and is UL924 Listed for emergency lighting control applications.

The AD-RRU-X-UNV can simultaneously bypass both a line voltage switch and a 0-10V dimming signal, ensuring that an emergency fixture illuminates at full brightness during a utility power interruption.

### Highlights

During normal operation, the AD-RRU-X-UNV dims designated emergency lights with the same control as your normal lights. During a utility power interruption, the AD-RRU-X-UNV turns designated emergency lights on, at full brightness, regardless of dimmer position.

Its small size makes it ideal for junction box mounting in wireless or other modern lighting control systems. An integral test switch and LED allow for quick testing and verification of proper function.

### Features

- 20A Rate N/O and N/C - Used for bypassing line voltage switching, occupancy sensors or dimmers. Also used as dry contact to signal relay panes or BMS systems or utility power interruption
- 1A Rated N/O contact - Used for bypassing low-voltage dimming or switching signals from room controllers or dimmer
- Integral test switch and green utility power indicator
- UL924 Listed
- Fire alarm override input
- LED Compatible

### Operation

Universal mounting provides flush, fixture, plenum or panel mounting. Intended for 0-10V dimming, as well as ON/OFF loads.

### Applications

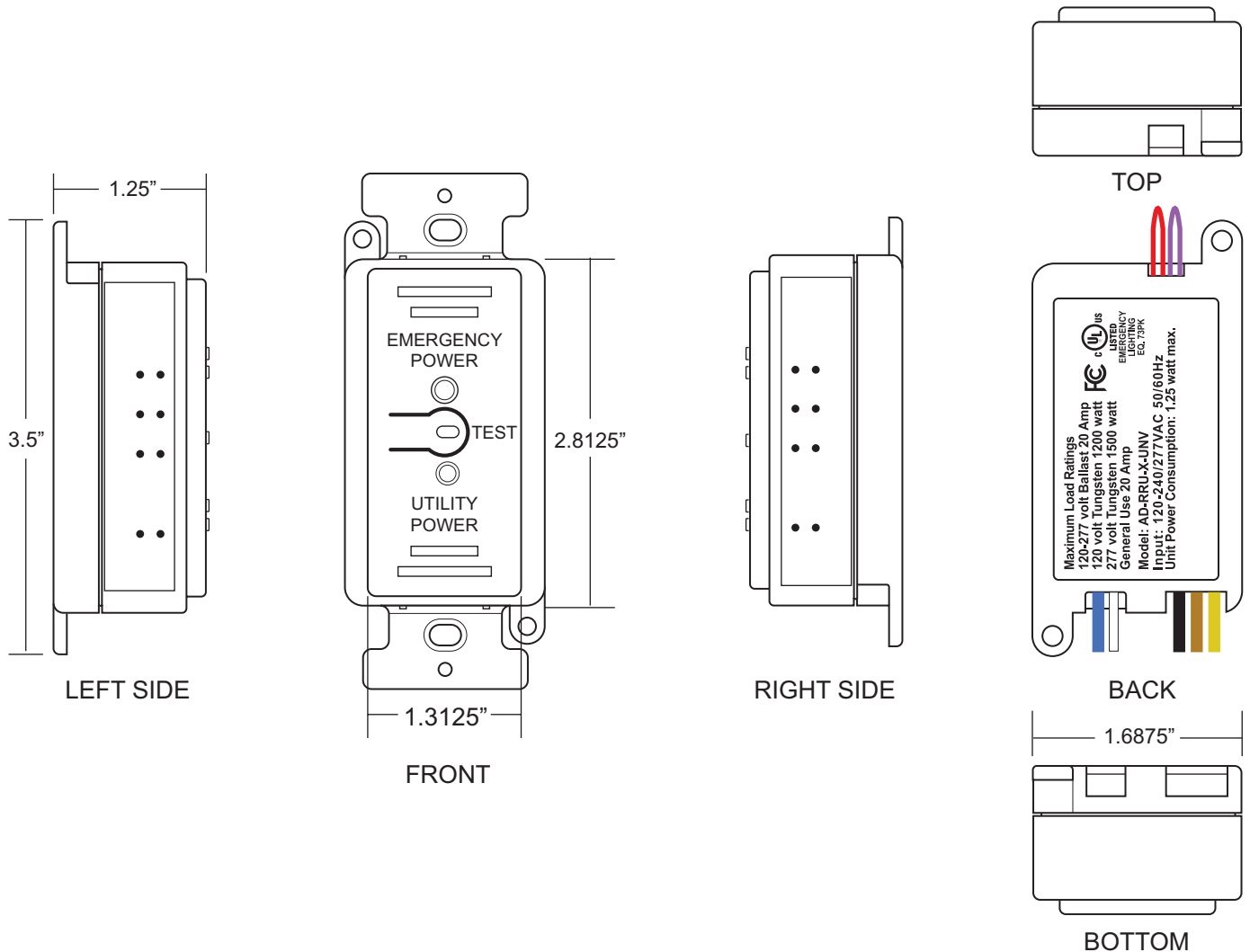
Applications include designated dimmable emergency luminaires in public places such as auditoriums, restaurants, conference rooms, theaters, and classrooms.

|         |  |                   |  |
|---------|--|-------------------|--|
| PROJECT |  | LOCATION/<br>TYPE |  |
|---------|--|-------------------|--|

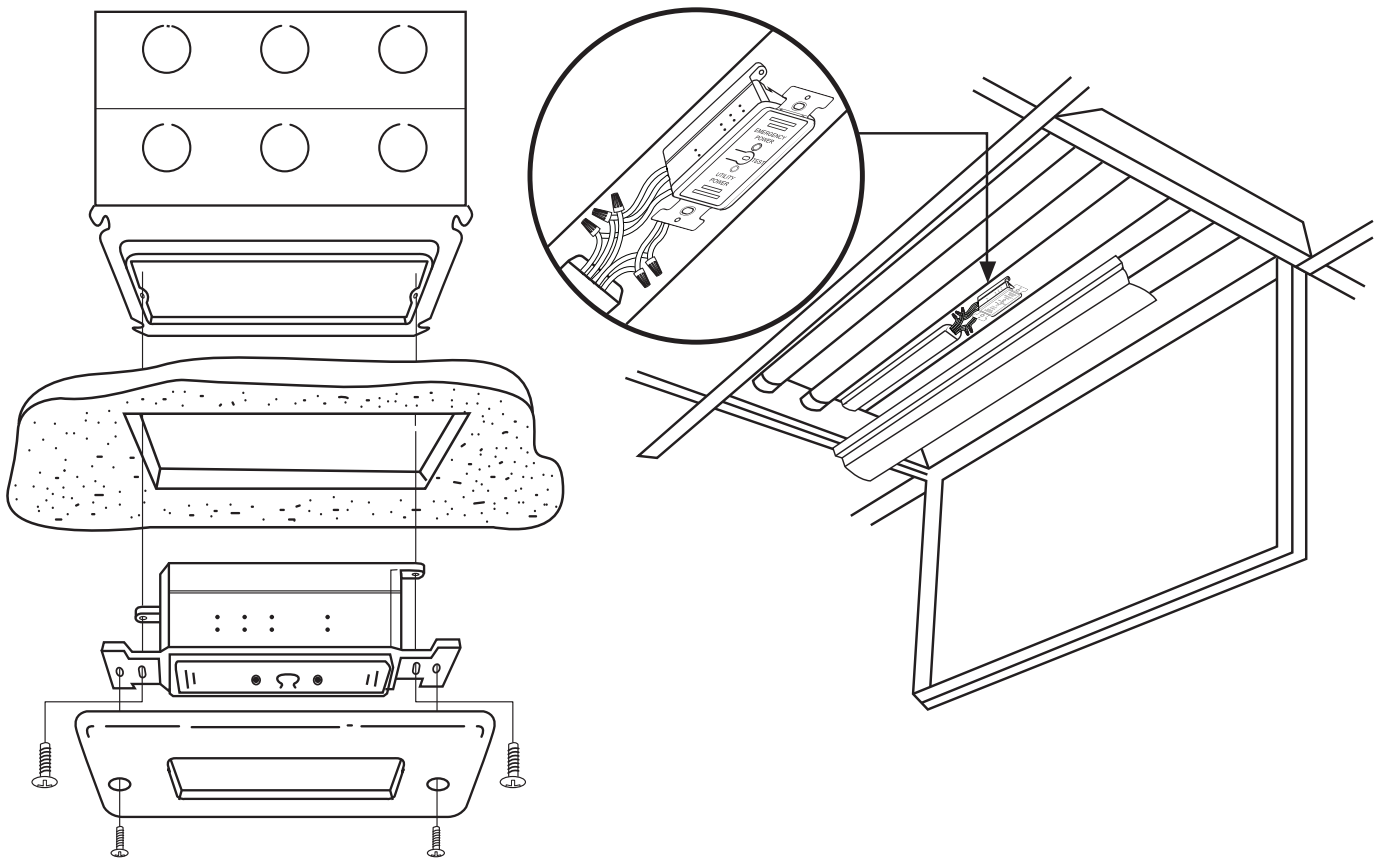
## Specifications

|                               |   |
|-------------------------------|---|
| Model                         | AD-RRU-X-UNV  |
| Dimensions, Body (WxHxD)      | 1.7" x 3" x 1.2" (43.18mm x 76.2mm x 30.48mm)             |
| Weight                        | 12 oz. (340.2g)   |
| Mounting                      | Universal (Flush, Junction Box, Panel, and Fixture Mount) |
| Sensing Input                 | 120V - 277V   |
| Ballast Load Rating           | 20A (120-277V) (Contact #1)                               |
| Incandescent Load             | 1200W (120V) / 1500W (277V)                               |
| Load                          | Contact #1 20A (120-277V) / Contact #2 1A (30V DC)        |
| Ambient operating temperature | 32°F - 140°F (0°C - 60°C)                                 |
| Rating                        | UL94V-0A, Plenum Rated, Damp Location Rated               |
| Warranty                      | 5 Year Replacement Warranty                               |

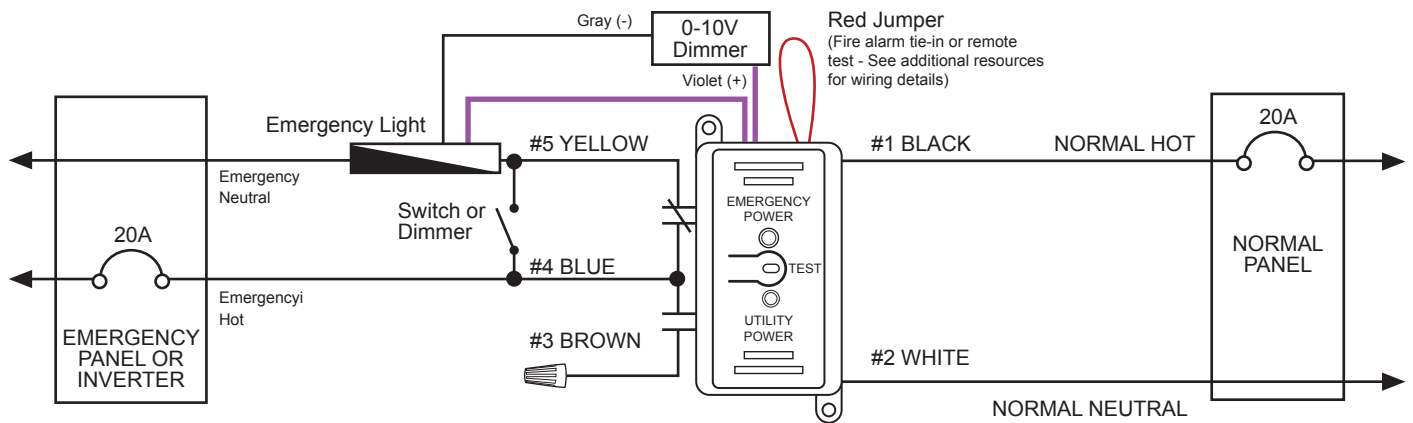
## Multi-View Line Drawings



## Mounting



## Basic Wiring Diagram



**NOTE:** Emergency Light is also called N/E Light or Normal/Emergency Light by specifiers

## Ordering Information

| Catalog #                               | Description                        |
|---|------------------------------------|
| <input type="checkbox"/> AD-RRU-X-UNV   | Emergency Shunt Relay              |
| <input type="checkbox"/> AD-EPC-D-F-ATS | Emergency Lighting Transfer Switch |