

NOTES: UNLESS OTHERWISE SPECIFIED

- OPTICAL PERFORMANCE SHALL BE IN ACCORDANCE WITH ORTRONICS SPECIFICATION #71800061C. THE STANDARD TIER LEVELS ARE SHOWN IN TABLE 1.
- THE "GGG" SUFFIX IN THE PART NUMBER DESIGNATES THE FIBER TYPE. SEE TABLE 1.
- WHEN "XYZZ" IS OMITTED AS A SUFFIX TO THE PART NUMBER, THE CONFIGURATION IS STANDARD.
- A LABEL SHOWING THE INSERTION LOSS VALUES, BY PORT, IS PROVIDED AFFIXED TO THE CASSETTE.
- THE CASSETTE HOUSING IS METAL, POWDER COATED BLACK.
- FIBER #1 ON THE MPO CONNECTION IS POSITIONED TOWARDS THE REFERENCE MARK ON THE ADAPTER.
- CONFIGURATIONS WITH POLARITY IDENTIFIER "NONE" OR "A1" AND MPO TYPE IDENTIFIER "A" ARE DESIGNED FOR USE WITH ANSI/TIA-568-C.0 CONNECTIVITY METHOD "A" FOR DUPLEX SIGNALS. MULTIMODE CONFIGURATIONS WITH POLARITY IDENTIFIER "B1" AND MPO TYPE IDENTIFIER "C" ARE DESIGNED FOR USE IN PAIRS WITH CONFIGURATIONS WITH POLARITY IDENTIFIER "A1" AND MPO TYPE IDENTIFIER "C" WITH ANSI/TIA-568-C.0 CONNECTIVITY METHOD "B" FOR DUPLEX SIGNALS.
- THE MPO PORT LABEL IDENTIFIES THE MODE, CORE SIZE, CORRESPONDING FRONT PANEL PORT NUMBERS & POLARITY.
- ALL DIMENSIONS ARE IN INCHES.
- INTERNAL MPO CONNECTORS ARE WITH ALIGNMENT PINS.

"GGG"	TYPE	"Y"	TIER
09	SM 9/125	NONE	1
50E	MM 50/125 (4.9GHz-km)	NONE	2
		3	3
50M	MM 50/125 (5.5GHz-km)	4	4
62	MM 62.5/125	NONE	1

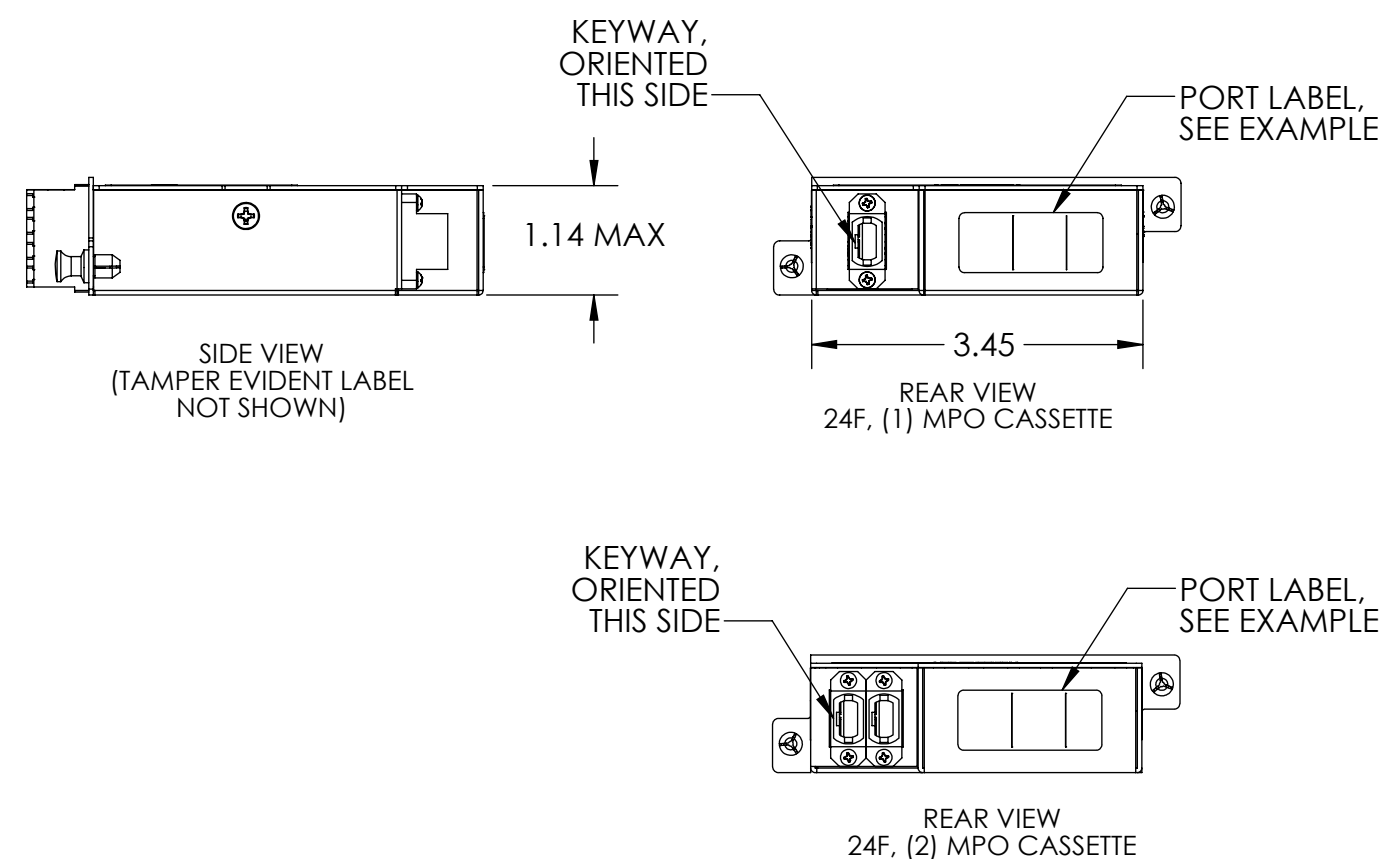
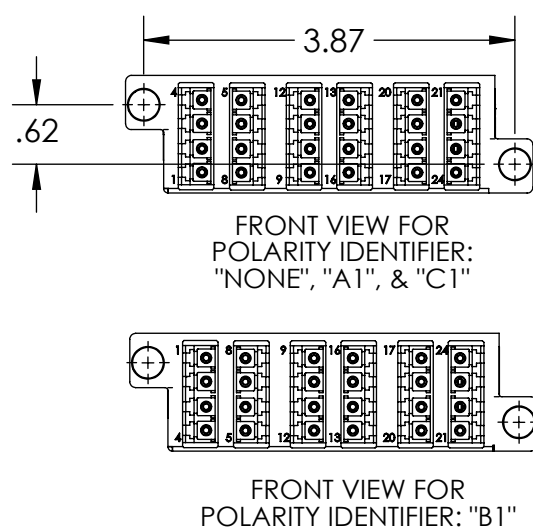
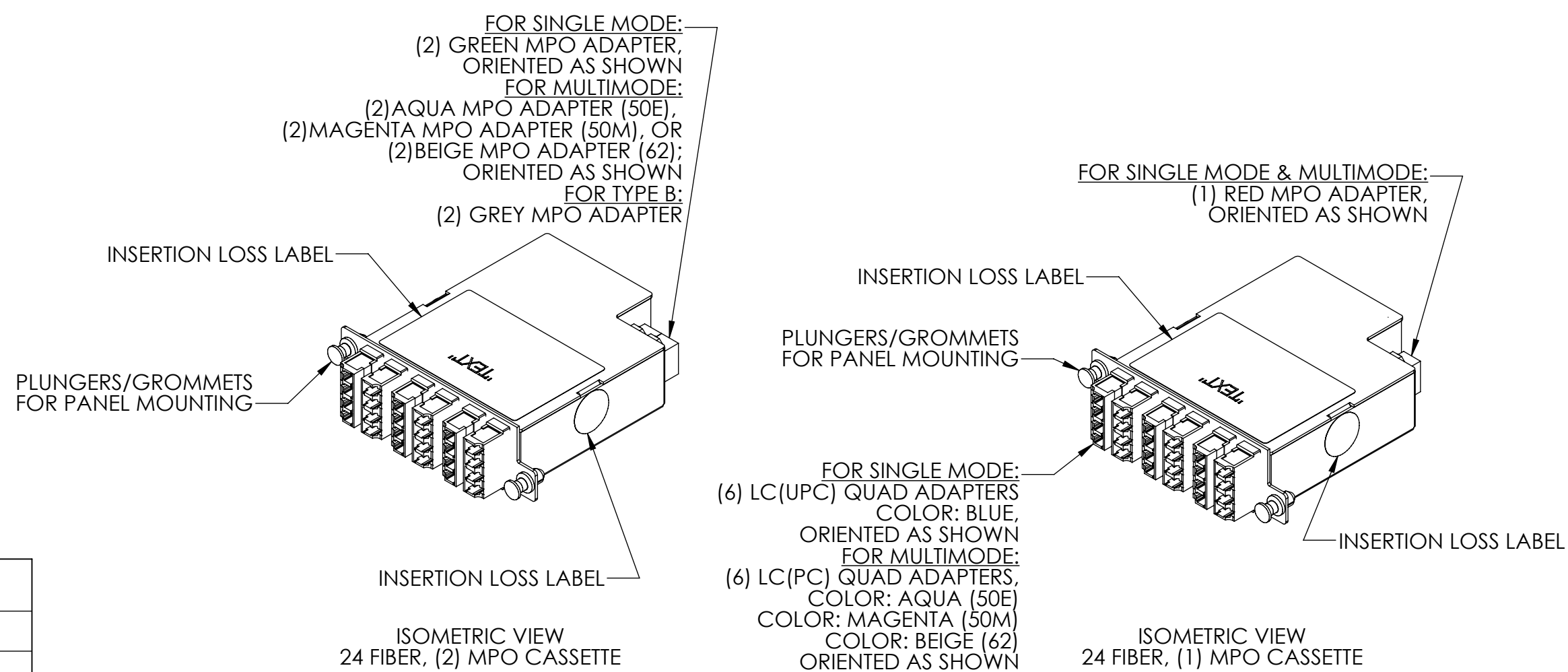
"X"	"MPO TYPE"	"TYPE"	"KEYING"
NONE	12 FIBER	TYPE A	KEY UP TO KEY DOWN
A			
B			
C	12 FIBER	TYPE B	KEY UP TO KEY UP
D	24 FIBER		

"GGG"	"AA"	"BB"
09	SM	9
50E	MM	50
50M	MM	50
62	MM	62.5

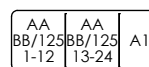
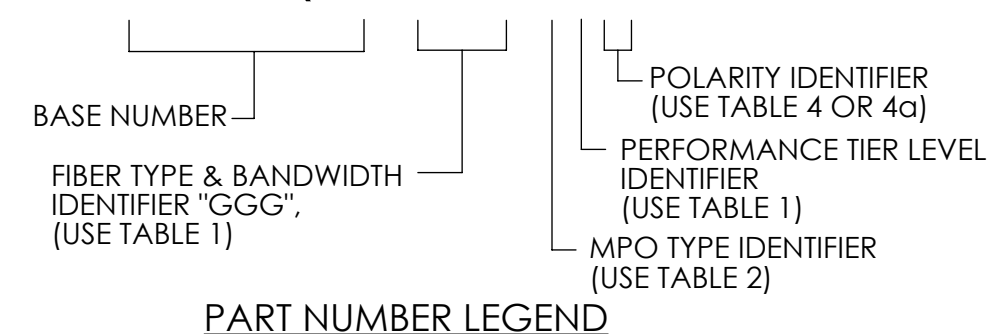
"ZZ"	POLARITY
NONE	STANDARD
A1	STANDARD
B1	TYPE B
C1	REVERSE PAIR POSITION
H1	100GbE TO 10GbE TYPE 1

INTERNAL FIBER CONNECTION			
MPO PORT #	LC PORT #** (ZZ="NONE" OR "A1")	LC PORT #** (ZZ="B1")	LC PORT #** (ZZ="C1")
1	1	12	2
2	2	11	1
3	3	10	4
4	4	9	3
5	5	8	6
6	6	7	5
7	7	6	8
8	8	5	7
9	9	4	10
10	10	3	9
11	11	2	12
12	12	1	11
-	-	-	-
13	13	24	14
14	14	23	13
15	15	22	16
16	16	21	15
17	17	20	18
18	18	19	17
19	19	18	20
20	20	17	19
21	21	16	22
22	22	15	21
23	23	14	24
24	24	13	23

INTERNAL FIBER CONNECTION			
MPO PORT #	LC PORT #** (ZZ="A1")	LC PORT #** (ZZ="B1")	LC PORT #** (ZZ="H1")
1	1	24	2
2	2	23	4
3	3	22	6
4	4	21	8
5	5	20	10
6	6	19	12
7	7	18	14
8	8	17	16
9	9	16	18
10	10	15	20
11	11	14	22
12	12	13	24
-	-	-	-
13	13	12	1
14	14	11	3
15	15	10	5
16	16	9	7
17	17	8	9
18	18	7	11
19	19	6	13
20	20	5	15
21	21	4	17
22	22	3	19
23	23	2	21
24	24	1	23



OR-M4LCQ24-GGGXYZZ



EXAMPLE OF (2) 12F MPO PORT LABEL (SEE NOTE 7)

*** NOTICE *** THIS DOCUMENT CONTAINS CONFIDENTIAL AND/OR PROPRIETARY INFORMATION INTENDED FOR USE ONLY BY THE INDIVIDUAL(S) PROVIDED. NEITHER THIS DOCUMENT, NOR ANY INFORMATION CONTAINED HEREIN, MAY BE COPIED, DISTRIBUTED, DISCLOSED TO ANY THIRD PARTY OR USED IN ANY MANNER OTHER THAN FOR WHICH IT HAS BEEN PROVIDED. WITHOUT THE PRIOR WRITTEN CONSENT OF ORTRONICS, INC., MANUFACTURING RELEASE. PRODUCT SPECIFICATIONS AND STANDARDS ARE SUBJECT TO CHANGE WITHOUT NOTICE.			 125 EUGENE O'NEILL DRIVE NEW LONDON, CT 06320 TEL: 860-445-3800 FAX: 860-405-2990 WWW.ORTRONICS.COM		
TITLE CASSETTE ASSEMBLY, HIGH DENSITY, M4, 24F, LC QUAD					
DWN	NAME	DATE	SIZE	CAD FILE	DWG NO
CHK	R. GRANDIDGE	10/21/2010	C	M4LCQ24GGGXZZC	OR-M4LCQ24-GGGXYZZ
APPR	W. DIETZ	10/22/2010	SCALE	1:2	SHEET 1 OF 1
			REV	06	

** LC PORT NUMBERING: PER FRONT PANEL MARKING