

**For the toughest, most demanding
 industrial environments**

1200 SERIES

Industrial-grade 1200 Series Cable Reels are precision machines, built with a minimum of components to provide years of reliable service with little or no maintenance. Made of all-steel construction in the USA, these cable reels are ideal for assembly and fabrication work areas, conveyors, utility trucks, automotive and truck work bays, and much more.

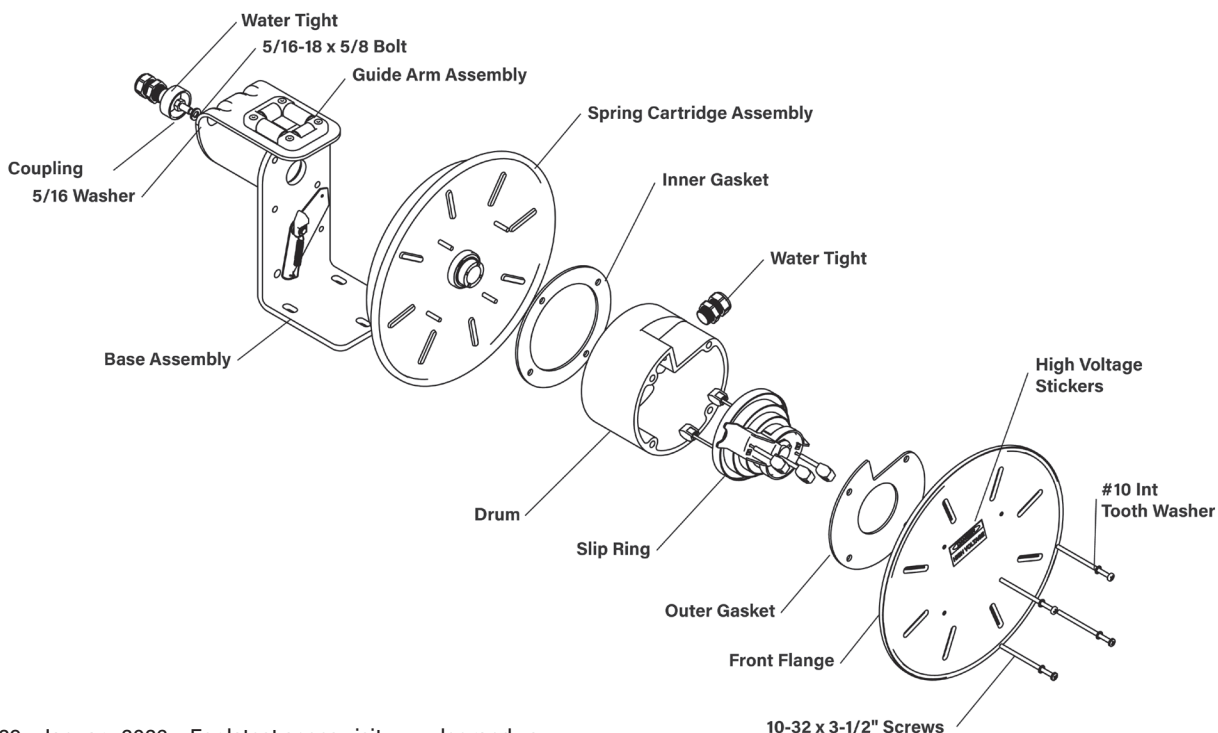
- Made in USA
- All steel construction with fiberglass/nylon drum, yellow powder-coat finish
- UL/CSA Listed



Features

- All-steel construction with fiberglass/nylon drum
- Durable yellow or black powder-coated finish
- Options include ball stop only or receptacle box
- Operating temperature range of -22°F to 194°F (-30°C to 90°C)
- Adjustable cable guide arm with 12 positions to direct cables wherever you need them
- Smooth-running 4-roller guide for minimum cable stress
- Ratchet that locks the spool to keep cable at specific extension and disengages by pulling
- Adjustable ball stop that limits cable retraction and prevents damage to cord end accessories
- Precision slip ring assembly for long life
- 6-foot feeder cord
- Safety chain hole
- Cable included
- UL and CSA Listed
- Pivot base accessory available
- One-year warranty

Product Components



Ordering Information

1200 Series Cable Reel

Catalog No./Item	Color	Cable Length	Length	Cable	Amperage	End Accessory
CR12L123N50F20	Yellow	50 ft	Lift/Drag	12AWG 3C	20	None
CR12L123N35F20	Yellow	35 ft	Lift/Drag	12AWG 3C	20	None
CR12L123N25F20B	Black	25 ft	Lift/Drag	12AWG 3C	20	None
CR12L123N25F20	Yellow	25 ft	Lift/Drag	12AWG 3C	20	None
CR12L123N50R20	Yellow	50 ft	Lift/Drag	12AWG 3C	20	20A Quad RB
CR12L123N25R20	Yellow	25 ft	Lift/Drag	12AWG 3C	20	20A Quad RB
CR12L123N30F20	Yellow	30 ft	Lift/Drag	12AWG 3C	20	None
CR12L123N50F20B*	Black	50 ft	Lift/Drag	12AWG 3C	20	None
CR12L123N30F20B	Black	30 ft	Lift/Drag	12AWG 3C	20	None

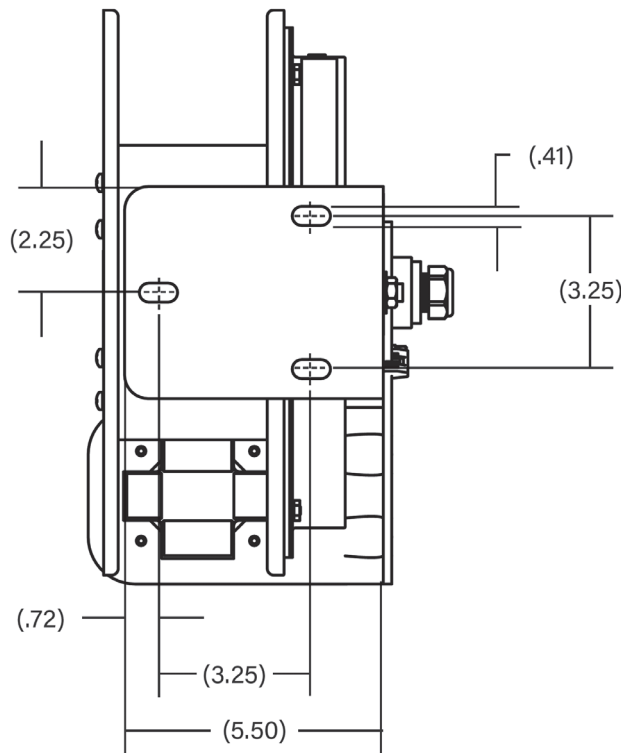
* These cable reel feeder cables do not have molded plugs and are to be hardwired (CR12L123N30F20, CR12L123N30F20B)

Rating and Specifications

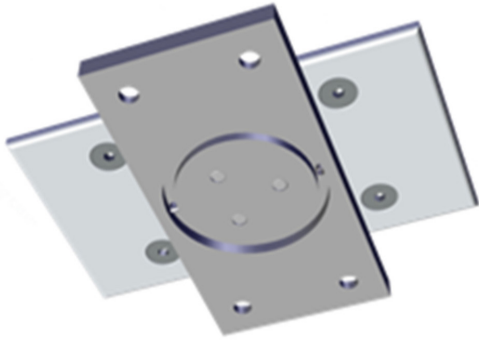
Cable Gauge	No. Cond.	Type	Type	Voltage	Current	Feeder Cord
16 AWG	2	SOW	SOW	600	13A	Cable
14 AWG	2	SOW	SOW	600	15A	Cable
12 AWG	3	SOW	SOW	600	25A	Cable
16 AWG	3	SOW	SOW	125	10A	Molded Plug
14 AWG	3	SOW	SOW	125	15A	Molded Plug
12 AWG	3	SOW	SOW	125	20A	Molded Plug
16 AWG	3	SOW	SOW	600	10A	Cable
14 AWG	3	SOW	SOW	600	15A	Cable
12 AWG	3	SOW	SOW	600	20A	Cable
14 AWG	4	SJE	SJE	300	12A	Cable
12 AWG	4	SOW	SOW	300	16A	Cable
16 AWG	4	SOW	SOW	600	8A	Cable
14 AWG	4	SOW	SOW	600	12A	Cable
12 AWG	4	SOW	SOW	600	16A	Cable

Wiring Chart

Cond #	Base Color
1	9.00"
2	Black
3	White
4	Red



Base Mounting



Keep your pulls smooth from any angle.

This stocked Pivot Base accessory for cable reels lets your roll rotate up to 345° for easier, cleaner cable payout, especially when feeding at angles greater than 15°. Lightweight at just 2.89 lbs., it mounts directly in the field for quick, hassle-free setup.

Catalog No.	Color	Cable Type
1214PVB	Aluminum	Pivot Base 1200/1400 Series Cable Reel

