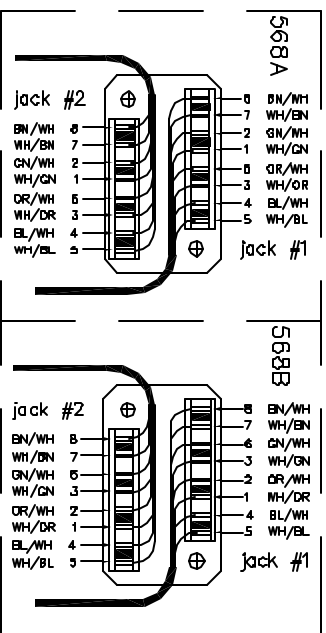


REVISIONS			
REV	DESCRIPTION	DATE	APPROVED
1	ISS PART R74000177	11/02/17	

CAUTION: VERIFY WIRING, LABEL ON MODULE SHOULD BE STAMPED '568A' or '568B' or 'USOC'.



CABLE INSTALLATION

NOTE: Maintain pair twist to within 1/2" (13mm) of point of termination for maximum data performance. The station cables must be routed at the rear of the IAD outlet as displayed in the drawing above. Excess wires must be trimmed when using push-on caps to terminate the station wire to the 110 type insert.

NOTE: SEE REVERSE SIDE FOR CABLE TERMINATION INSTRUCTIONS.



REQUIRED TERMINATION TOOL
OR EQUIVALENT (TUL)
OR HOOPER (TUL)
TERMINATION OF CABLE PAIRS

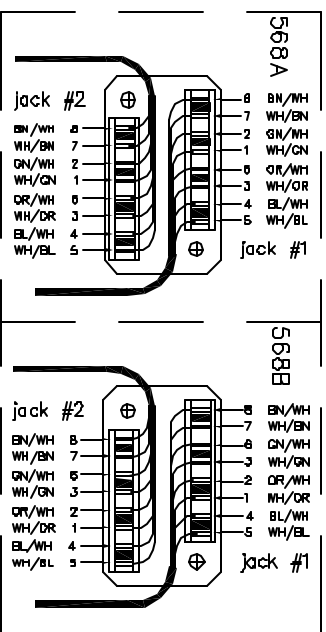
WIRING CHART

110C-1 MOUNTING BLOCK CODE	PAIR 1 4PBC USOC WIRING	PAIR 2 4PBC USOC WIRING	PAIR 3 4PBC USOC WIRING	PAIR 4 4PBC USOC WIRING
WHITE/BLUE DRIVE/WHITE WHITE/WHITE WHITE/WHITE WHITE/WHITE WHITE/WHITE BROWN/WHITE	1 2 3 4 5 6 7 8	1 2 3 4 5 6 7 8	1 2 3 4 5 6 7 8	1 2 3 4 5 6 7 8



REVISIONS			
REV	DESCRIPTION	DATE	APPROVED
1	ISS PART R74000177	11/02/17	

CAUTION: VERIFY WIRING, LABEL ON MODULE SHOULD BE STAMPED '568A' or '568B' or 'USOC'.



CABLE INSTALLATION

NOTE: Maintain pair twist to within 1/2" (13mm) of point of termination for maximum data performance. The station cables must be routed at the rear of the IAD outlet as displayed in the drawing above. Excess wires must be trimmed when using push-on caps to terminate the station wire to the 110 type insert.

NOTE: SEE REVERSE SIDE FOR CABLE TERMINATION INSTRUCTIONS.

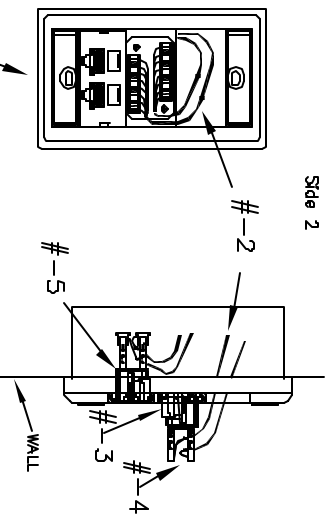


REQUIRED TERMINATION TOOL
OR EQUIVALENT (TUL)
OR HOOPER (TUL)
TERMINATION OF CABLE PAIRS

WIRING CHART

110C-1 MOUNTING BLOCK CODE	PAIR 1 4PBC USOC WIRING	PAIR 2 4PBC USOC WIRING	PAIR 3 4PBC USOC WIRING	PAIR 4 4PBC USOC WIRING
WHITE/BLUE DRIVE/WHITE WHITE/WHITE WHITE/WHITE WHITE/WHITE WHITE/WHITE BROWN/WHITE	1 2 3 4 5 6 7 8	1 2 3 4 5 6 7 8	1 2 3 4 5 6 7 8	1 2 3 4 5 6 7 8





Side 2

1. MOUNT WALL PLATE TO WALL WITHOUT THE MODULES INSTALLED INTO FACEPLATE.

2. BRING ALL STATION CABLES THROUGH THE OPENING OF THE FACEPLATE.

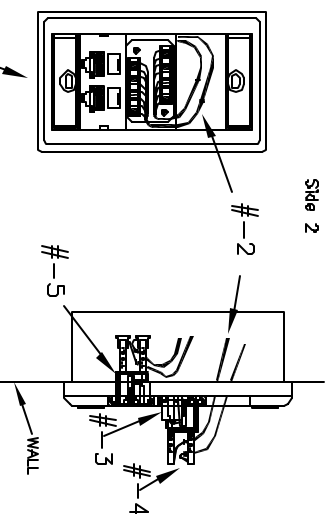
3. INSTALL 1ST MODULE INTO THE FACEPLATE WITH THE TERMINAL STRIP FACING OUT. THIS WILL SUPPORT THE MODULE DURING THE CABLE LEAD PUNCH DOWN TO THE TERMINAL STRIP.

4. TERMINATE ALL STATION CABLES TO THE MODULES.

5. REVERSE THE MODULES AND SNAP INTO THE FACEPLATE.

NOTE: A SERVICE LOOP SHOULD BE PROVIDED TO ELIMINATE THE EXCESS CABLE FROM BEING PLACED IN OUTLET BOX. IE ABOVE CEILING OR IN WALL.

DATE: 04/02/1997 REV.: 1 PART# 716001772 CAD: 001772



Side 2

1. MOUNT WALL PLATE TO WALL WITHOUT THE MODULES INSTALLED INTO FACEPLATE.

2. BRING ALL STATION CABLES THROUGH THE OPENING OF THE FACEPLATE.

3. INSTALL 1ST MODULE INTO THE FACEPLATE WITH THE TERMINAL STRIP FACING OUT. THIS WILL SUPPORT THE MODULE DURING THE CABLE LEAD PUNCH DOWN TO THE TERMINAL STRIP.

4. TERMINATE ALL STATION CABLES TO THE MODULES.

5. REVERSE THE MODULES AND SNAP INTO THE FACEPLATE.

NOTE: A SERVICE LOOP SHOULD BE PROVIDED TO ELIMINATE THE EXCESS CABLE FROM BEING PLACED IN OUTLET BOX. IE ABOVE CEILING OR IN WALL.

DATE: 04/02/1997 REV.: 1 PART# 716001777 CAD: 001772