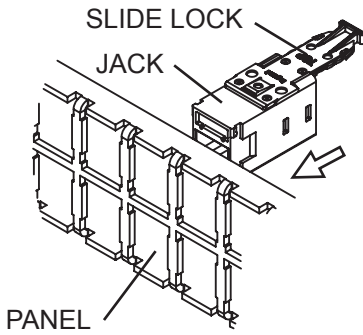
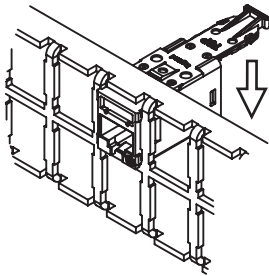


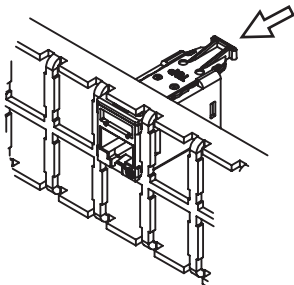
HIGH DENSITY JACK INSTALLATION INSTRUCTIONS



PULL BACK SLIDE LOCK TO STOP. THEN INSERT JACK INTO PANEL (JACK WILL GO IN ONE WAY ONLY WITH SLIDE LOCK UP).



ONCE JACK SHOULDERS COME INTO CONTACT WITH BACKSIDE OF PANEL, PRESS DOWNWARDS.

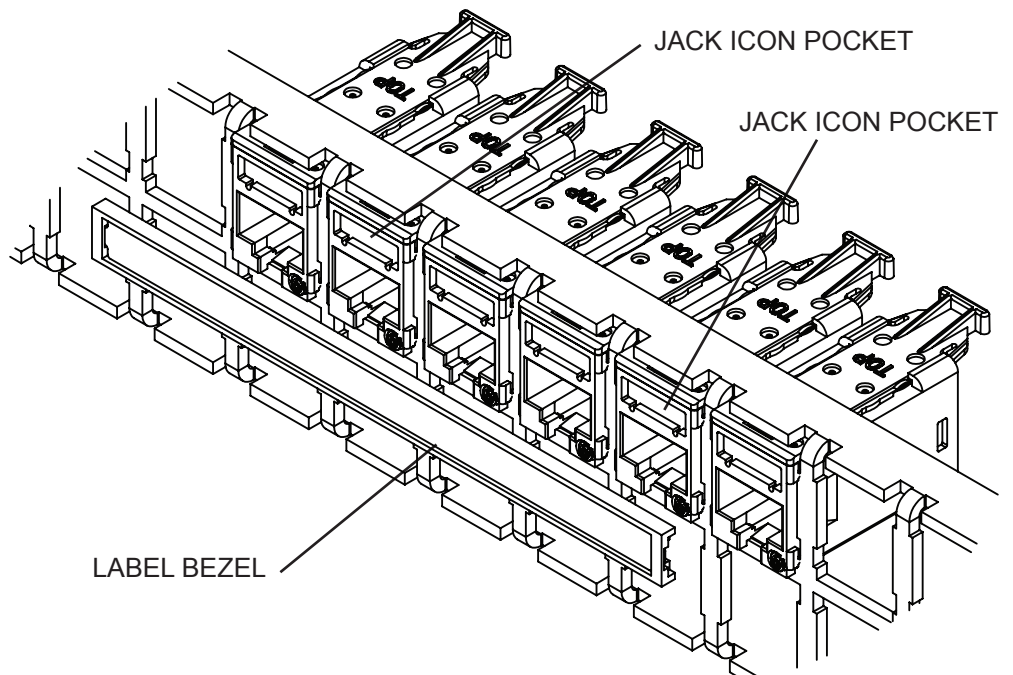


PUSH ON SLIDE LOCK UNTIL THE FRONT IS FLUSH WITH THE JACK FACE.

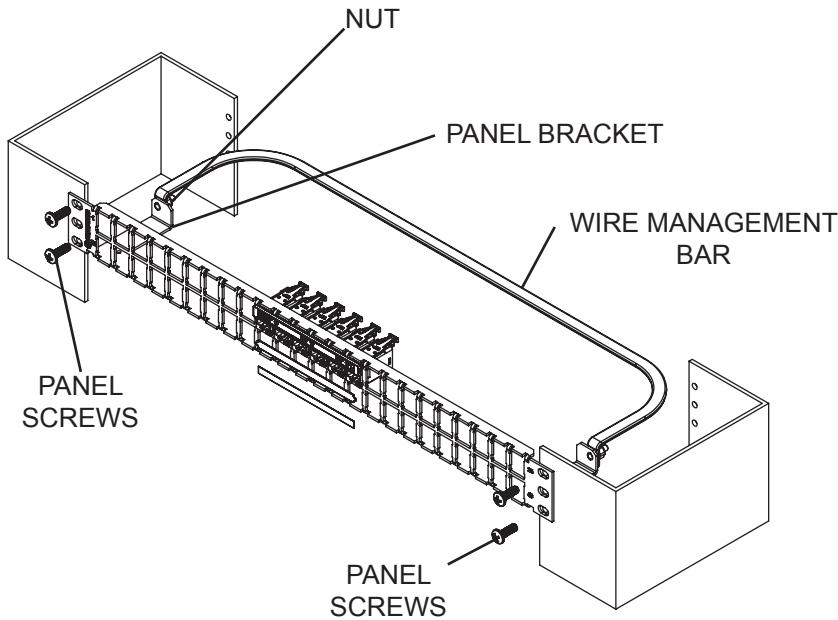
LABEL BEZEL INSTALLATION INSTRUCTIONS

PUSH ON LABEL BEZEL SO THAT THE TWO BOSSES ON THE BACK LINE UP WITH THE TWO JACK ICON POCKETS, THEN PRESS INTO PLACE.

INSERT LABEL CENTERED INTO BEZEL CAVITY, THEN INSERT COVER BY PLACING ONE SIDE TAB INTO BEZEL SIDE HOLE, THEN PLACE OTHER SIDE TAB INTO OTHER BEZEL SIDE HOLE.



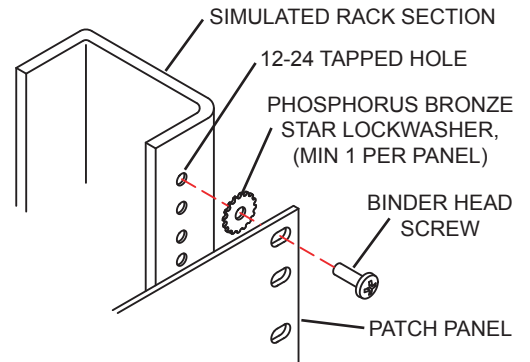
PANEL MOUNTING INSTRUCTIONS



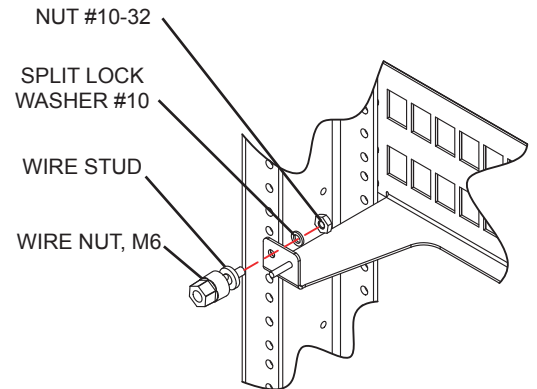
ATTACH PANEL TO RACK WITH SUPPLIED SCREWS.

WITH NUTS PROVIDED ATTACH WIRE MANAGEMENT BAR TO PANEL BRACKETS. TIGHTEN NUTS.

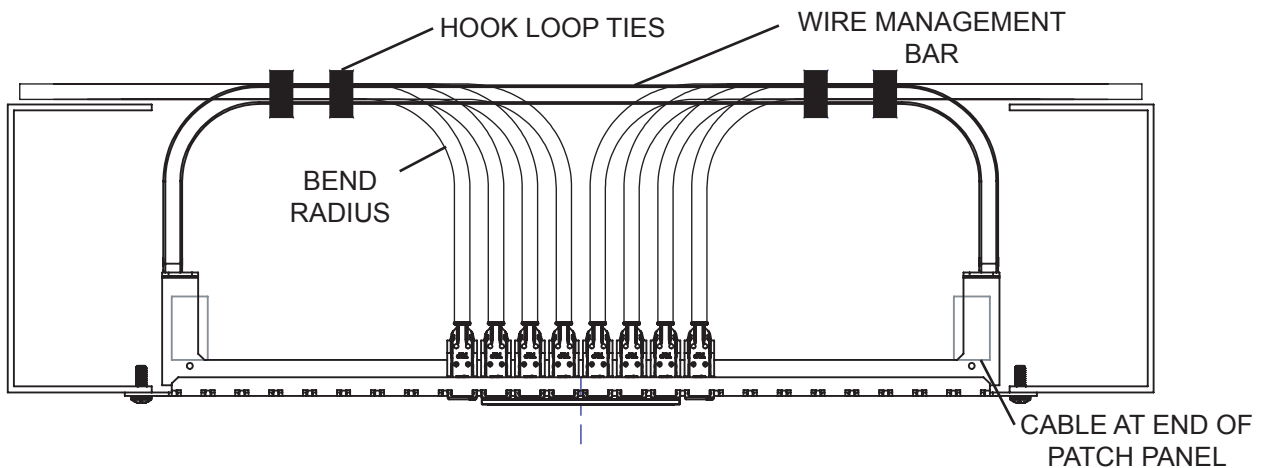
INSTALLATION OF PANEL INTO RACK



INSTALLATION OF GROUND TERMINAL ONTO PANEL



CABLE MANAGEMENT INSTRUCTIONS (TOP VIEW)



THE MINIMUM ALLOWED CABLE BEND RADIUS IS FOUR TIMES THE OUTSIDE CABLE DIAMETER. HOOK LOOP TIE WRAPS SHOULD BE USED TO ATTACH THE CABLES TO THE WIRE MANAGEMENT BAR. THE CABLE AT THE END OF THE PATCH PANEL SHOULD BE ATTACHED TO ANOTHER CABLE WHICH HAS ALREADY BEEN TIE WRAPPED TO THE WIRE MANAGEMENT BAR.