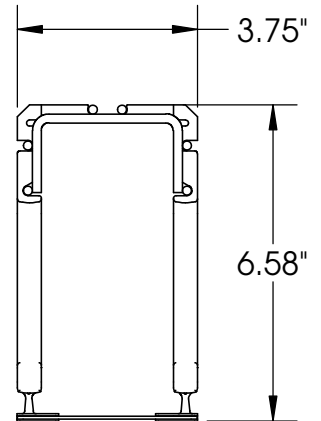


SPLIT DOOR
SWINGS OPEN
BOTH WAYS

77.19"



*** NOTICE ***
THIS DOCUMENT CONTAINS CONFIDENTIAL AND/OR PROPRIETARY INFORMATION INTENDED FOR USE ONLY BY THE INDIVIDUAL(S) PROVIDED. NEITHER THIS DOCUMENT, NOR ANY INFORMATION CONTAINED HEREIN, MAY BE COPIED, DISTRIBUTED, DISCLOSED TO ANY THIRD PARTY OR USED IN ANY MANNER OTHER THAN FOR WHICH IT HAS BEEN PROVIDED, WITHOUT THE PRIOR WRITTEN CONSENT OF ORTRONICS, INC. MANUFACTURING RELEASE, PRODUCT SPECIFICATIONS AND STANDARDS ARE SUBJECT TO CHANGE WITHOUT NOTICE.



125 EUGENE O'NEILL DRIVE
NEW LONDON, CT 06320
TEL: 860-445-3800
FAX: 860-405-2990
WWW.ORTRONICS.COM

TITLE

MIGHTY MO 6, 4" CAGE
WITH SPLIT COVERS

| | NAME | DATE | SIZE | CAD FILE | DWG NO | REV |
|------|-------------|----------|------|------------|--------------|-----|
| DWN | S. LEVESQUE | 03/16/04 | A | MM6VMS704C | OR-MM6VMS704 | 05 |
| CHK | S.LEVESQUE | 09/14/05 | | | | |
| APPR | M.MARTICH | 09/14/05 | | | | |

| | | | | | |
|-------|------|--------|--|-------|--------|
| SCALE | NONE | WEIGHT | | SHEET | 1 OF 1 |
|-------|------|--------|--|-------|--------|