



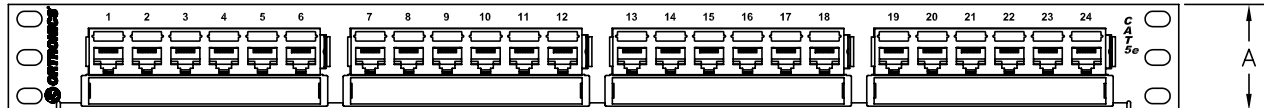
**ORTRONICS®**

125 EUGENE O'NEILL DRIVE  
NEW LONDON, CT 06320  
TEL: 860-445-3800  
FAX: 860-405-2990

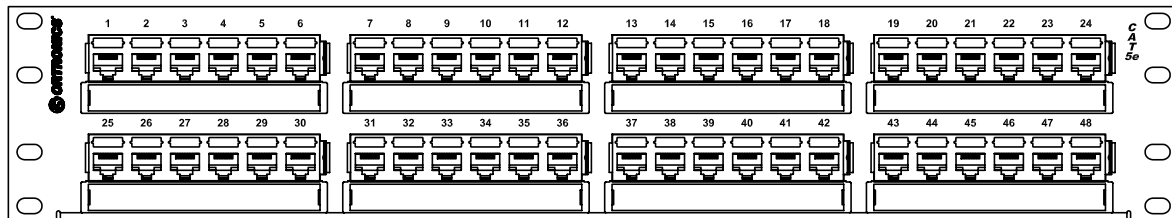
TITLE

TechChoice  
24 AND 48 PORT  
PATCH PANEL

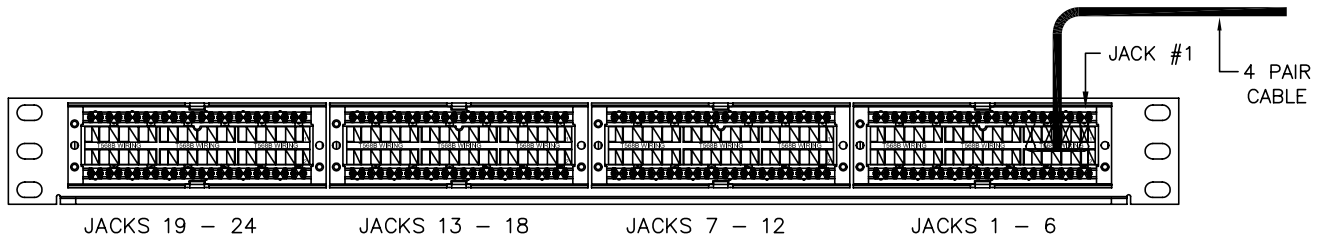
PORTS	JACK	DENSITY	WIRING	SIZE (A)	PART # (CAT6)	PART # (CAT5e)
24 PORT	8 POS/RJ45	HD	T568 B or A	1.75 X 19	OR-SP6U24	OR-SP5EU24
48 PORT	8 POS/RJ45	HD	T568 B or A	3.50 X 19	OR-SP6U48	OR-SP5EU48



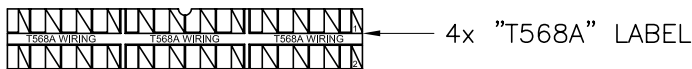
FRONT VIEW 24 PORT



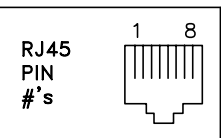
FRONT VIEW 48 PORT



REAR VIEW 24 PORT

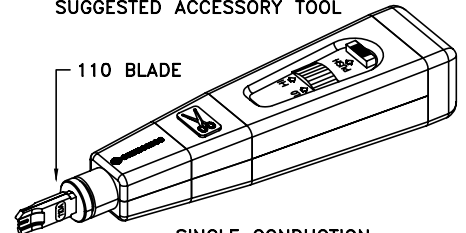


STATION CABLE COLOR CODE T568A	T568A 8 POS. RJ45 JACK WIRING	STATION CABLE COLOR CODE T568B	T568B 8 POS. RJ45 JACK WIRING
WHITE/BLUE	5	WHITE/BLUE	5
BLUE/WHITE	4	BLUE/WHITE	4
WHITE/ORANGE	3	WHITE/ORANGE	1
ORANGE/WHITE	6	ORANGE/WHITE	2
WHITE/GREEN	1	WHITE/GREEN	3
GREEN/WHITE	2	GREEN/WHITE	6
WHITE/BROWN	7	WHITE/BROWN	7
BROWN/WHITE	8	BROWN/WHITE	8



- NOTES:
- PANEL IS SUPPLIED WITH T568B LABEL IN PLACE. FOR T568A WIRING, ATTACH FOUR SUPPLIED T568A WIRING LABELS.
  - MAINTAIN PAIR TWIST UP TO POINT OF TERMINATION FOR MAXIMUM DATA PERFORMANCE.

SUGGESTED ACCESSORY TOOL



SINGLE CONDUCTION 110 IMPACT TOOL FOR TERMINATION OF CONDUCTORS  
OR-60300005 (TOOL)  
OR-60300006 (BLADE)

716014451

INSTRUCTION SHEET NO.	REV	ECN	SHEET	DWN.BY:	DATE	CK. BY	DATE	APP.BY:	DATE
OR-71601445	00		1 OF 2	LEVESQUE	01/19/05	D. Bogue	01/19/05	MEM	01/19/05

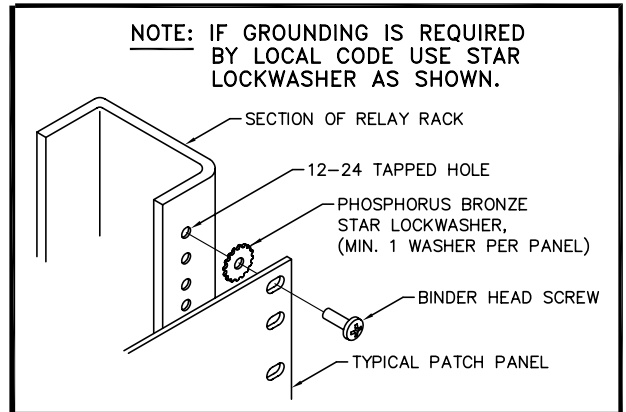
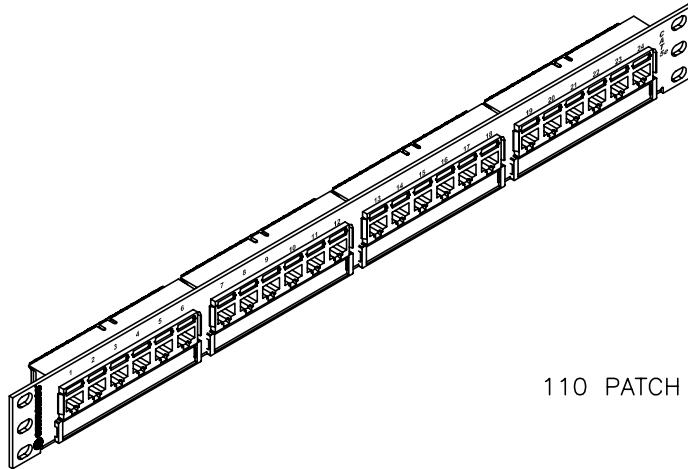


**ORTRONICS®**

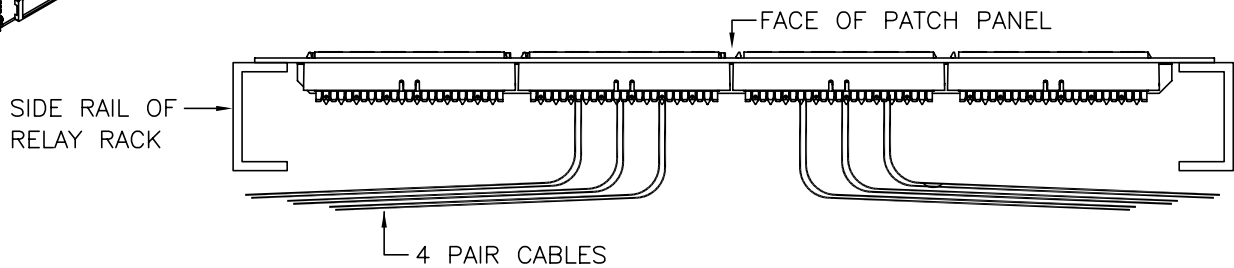
125 EUGENE O'NEILL DRIVE  
NEW LONDON, CT 06320  
TEL: 860-445-3800  
FAX: 860-405-2990

TITLE

# TechChoice 24 AND 48 PORT PATCH PANEL

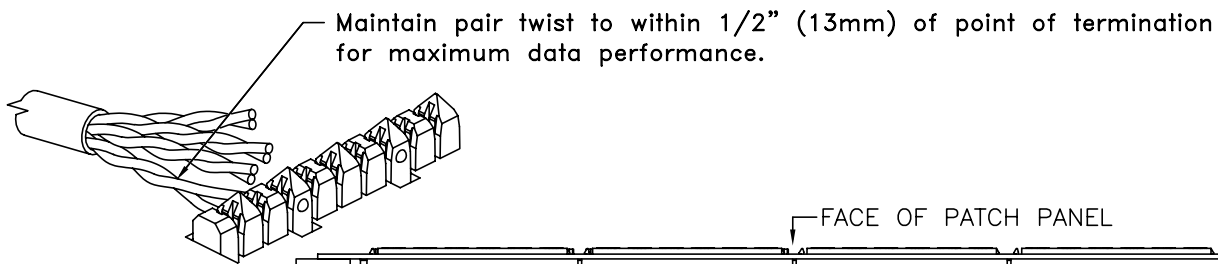


### 110 PATCH PANEL INSTRUCTIONS:



TOP VIEW (SIMPLIFIED)

For optimum cable management, the cables should be Routed and Terminated working from the center of the patch panel to the outside edges.  
Note: The cables should be routed from both sides of the Relay Rack rather than from one side only.



\*The Minimum Cable Bend Radius is 4 times the outside Cable Diameter.

716014452

INSTRUCTION SHEET NO.	REV	ECN	SHEET	DWN.BY:	DATE	CK. BY	DATE	APP.BY:	DATE
OR-71601445	00		2 OF 2	LEVESQUE	01/19/05	D. Bogue	01/19/05	MEM	01/19/05