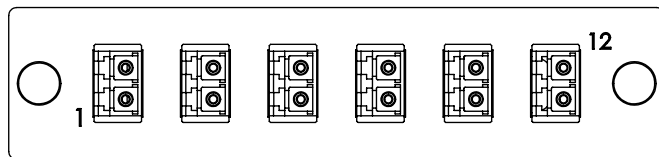
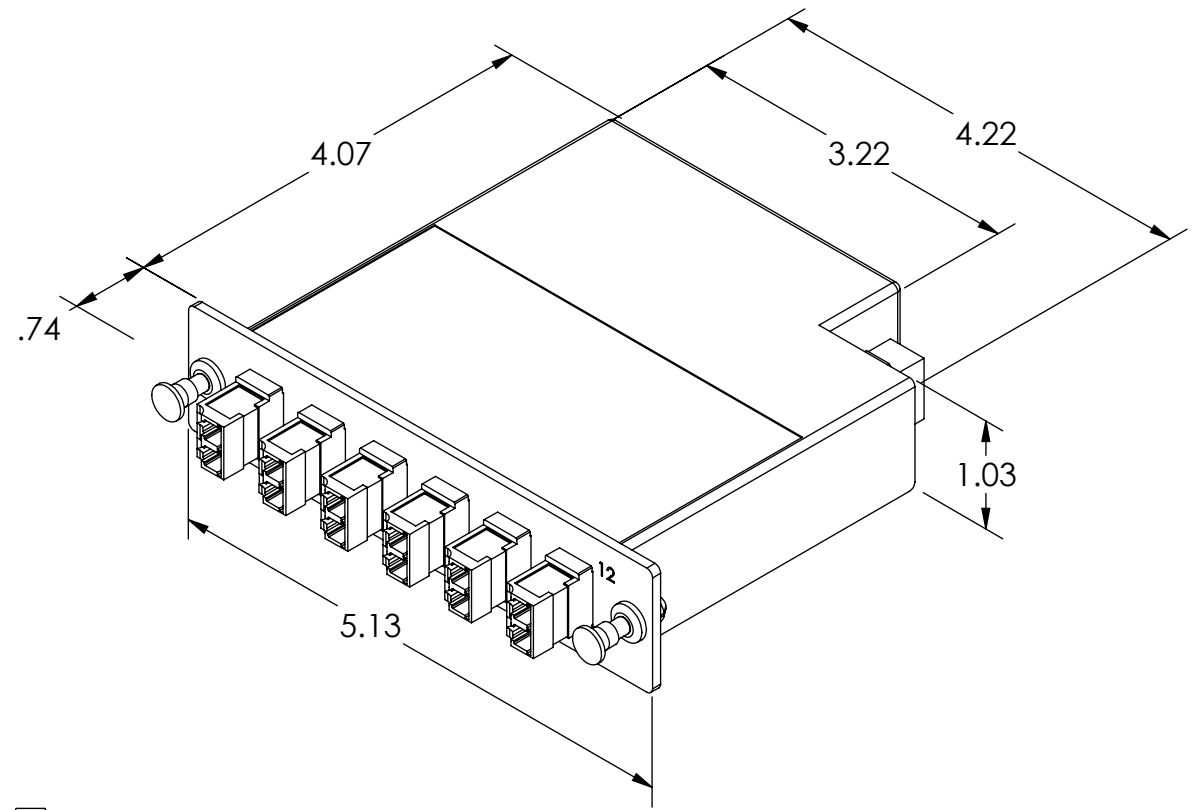


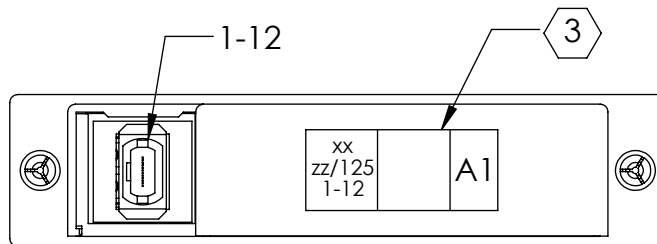
NOTES

- OPTICAL PERFORMANCE CHARACTERISTICS SHALL BE IN ACCORDANCE WITH ORTRONICS SPECIFICATION OR-71800061C. PERFORMANCE TIER LEVEL SHALL BE TIER 2 IN THE CASE OF M2LCD12-50E.
- EXTERNAL PORTS OF THE ADAPTERS HAVE PROTECTIVE DUST CAPS INSTALLED.
- MPO PORT ID LABEL WILL HAVE THE FOLLOWING TEXT ("XX" & "ZZ" ARE DERIVED FROM TABLE 1).
 LINE 1: "XX"
 LINE 2: "ZZ/125"
 LINE 3: "1-12"
- THE "CCC" SUFFIX IN THE PART NUMBER DESIGNATES THE CORE SIZE OF FIBER IN THE CASSETTE.
- LABEL SHOWING INSERTION LOSS VALUES, BY PORT, PROVIDED ASSEMBLED TO CASSETTE.
- THE CASSETTE HOUSING IS BLACK ABS/PC.
- FIBER #1 ON THE MPO CONNECTOR IS POSITIONED TOWARDS THE REFERENCE MARK ON THE ADAPTER.
- ALL DIMENSIONS ARE IN INCHES.

⬡ DENOTES NOTE REFERENCE.



PORT LAYOUT
(FRONT)



MPO LAYOUT
(REAR)

TABLE 1 ⓐ ⓑ ⓒ

"CCC"	"XX"	"ZZ"	LC COLOR	MPO COLOR
09	SM	9	BLUE	BLACK
50E	MM	50	AQUA	BLACK
50M	MM	50	MAGENTA	MAGENTA
62	MM	62.5	BEIGE	BLACK

*** NOTICE ***
 THIS DOCUMENT CONTAINS CONFIDENTIAL AND/OR PROPRIETARY INFORMATION INTENDED FOR USE ONLY BY THE INDIVIDUAL(S) PROVIDED. NEITHER THIS DOCUMENT, NOR ANY INFORMATION CONTAINED HEREIN, MAY BE COPIED, DISTRIBUTED, DISCLOSED TO ANY THIRD PARTY OR USED IN ANY MANNER OTHER THAN FOR WHICH IT HAS BEEN PROVIDED, WITHOUT THE PRIOR WRITTEN CONSENT OF ORTRONICS, INC. MANUFACTURING RELEASE. PRODUCT SPECIFICATIONS AND STANDARDS ARE SUBJECT TO CHANGE WITHOUT NOTICE.

NAME	DATE	SIZE	CAD FILE	DWG NO	REV
DWN RYNASKI	3/20/2013	B	M2LCD12CCCC	OR-M2LCD12-CCC	08
CHK AM	3/16/2006	SCALE NONE		SHEET	1 OF 1
APPR MEM	3/16/2006				

ORTRONICS
 125 EUGENE O'NEILL DRIVE
 NEW LONDON, CT 06320
 TEL: 860-445-3800
 FAX: 860-405-2990
 WWW.ORTRONICS.COM

TITLE
 CASSETTE ASSY, MOMENTUM 2
 1/MPO(MALE) 12F-12/LC