

NOTES: UNLESS OTHERWISE SPECIFIED

1. PERFORMANCE SHALL BE IN ACCORDANCE WITH LEGRAND SPECIFICATION #71800076C.
2. THE "XM" PORTION OF THE PART NUMBER SHALL IDENTIFY THE OVERALL EXTERNAL PIGTAIL LENGTH OF THE ASSEMBLY. THE UNITS OF MEASURE ARE INDICATED BY THE CHARACTER IMMEDIATELY FOLLOWING THE "X" PORTION OF THE PART NUMBER (I.E., M=METERS, F=FEET, H='XM' +1/2 FOOT, S='X'+1/2 METER). LENGTH TOLERANCE IS ±.100 METERS (±3.95 IN.).
3. A LABEL SHOWING THE INSERTION LOSS, BY PORT, IS PROVIDED PACKAGED WITH THE CASSETTE.
4. THE CASSETTE BODY IS METAL PAINTED BLACK.
5. INPUT AND OUTPUT PIGTAILS HAVE LABELS FOR CHANNEL AND INPUT IDENTIFICATION.
6. EACH SPLITTER ASSEMBLY SHALL BE IDENTIFIED WITH "LEGRAND", A PART NUMBER, A 4 DIGIT MANUFACTURE DATE CODE (WWYY=WEEK YEAR), AND LOCATION CODE(XX).

D

C

B

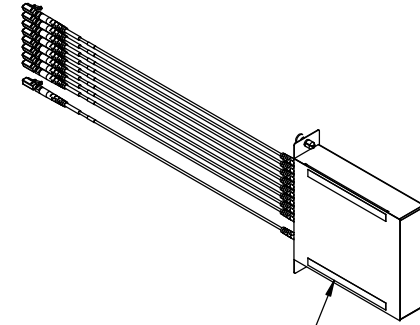
A

D

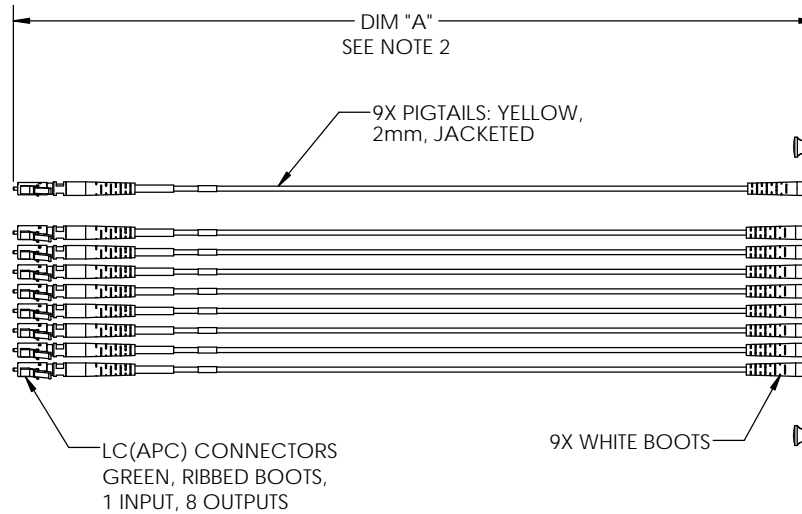
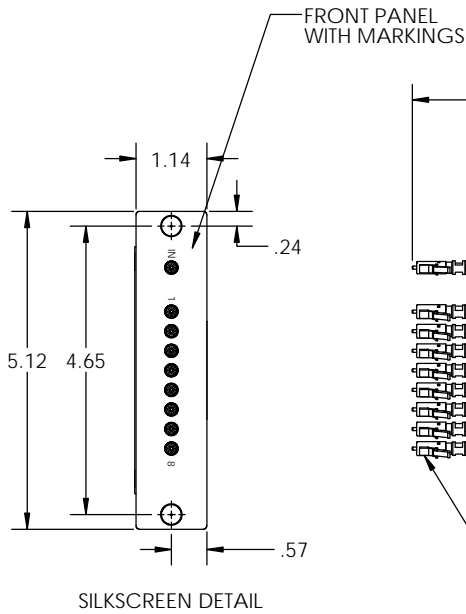
C

B

A



2X TAMPER EVIDENT LABEL



PLUNGERS/GROMMETS

P/N LABEL SEE NOTE 6

"TEXT"

3.98

*** NOTICE ***
 THIS DOCUMENT CONTAINS CONFIDENTIAL AND/OR PROPRIETARY INFORMATION INTENDED FOR USE ONLY BY THE INDIVIDUAL(S) PROVIDED. NEITHER THIS DOCUMENT, NOR ANY INFORMATION CONTAINED HEREIN, MAY BE COPIED, DISTRIBUTED, DISCLOSED TO ANY THIRD PARTY OR USED IN ANY MANNER OTHER THAN FOR WHICH IT HAS BEEN PROVIDED, WITHOUT THE PRIOR WRITTEN CONSENT OF LEGRAND, INC. MANUFACTURING RELEASE. PRODUCT SPECIFICATIONS AND STANDARDS ARE SUBJECT TO CHANGE WITHOUT NOTICE.



WWW.LEGRAND.US

TITLE
 SPLITTER, 1X8 LC(APC), W/PIGTAILS

	NAME	DATE	SIZE	CAD FILE	DWG NO	REV
DWN	RM	8/17/2018	B	M2S1108LA09XMC	M2S1108LA09XMC	00
CHK	DMS	8/20/2018	SCALE 1:2		SHEET 1 OF 1	
APPR	RH	2/11/2019				

4

3

2

1