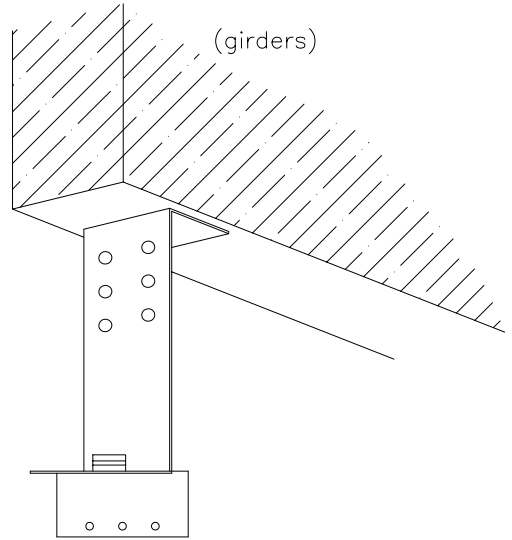
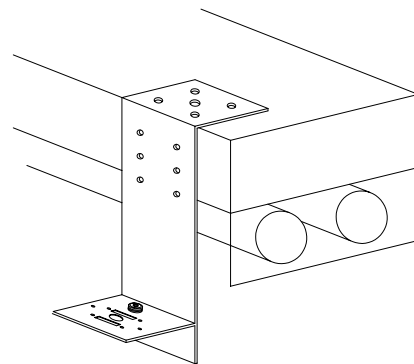


CX-105-3 sensor mounted on MB-1 bracket
CX-105-4 Rotate to a certain degree depending on Height
 (see warehouse installation sheet)
CX-105-1 If used with -1 Lens rotate sensor 90 degrees



Mounting options for MB-1 bracket



(Fluorescent Fixtures)

Watt Stopper/Legrand 800-879-8585			
Title MB-1 Mounting Information using CX-Series Sensors			
Scale	Drawing#	Date	Rev.
NONE	57-039-10	01/26/06	1