



Legrand® has modified its “Standard Polarity” for Ortronics® M4 Series LC Quad 24-Fiber (M4LCQ4) Cassettes.



Legrand has modified the Ortronics M4 series LC quad 24-fiber (M4LCQ4) cassettes to achieve uniformity across the Ortronics cassette product line and to fully comply with the polarity guidelines in standard ANSI/TIA-568-C.0. Although cassettes are not identified or defined in the ANSI/TIA-568-C.0 cabling standard, Legrand is making this change to accommodate customers implementing solutions involving multiple cassettes from the Ortronics product line. This polarity change ensures that the Ortronics cassettes are fully interoperable with all products that fully comply with the Method A polarity guidelines.

As shown in Figure 1 below, for Ortronics cassettes that are designed for use with ANSI/TIA-568-C.0 *Connectivity Method A for duplex signals*, the port 1 front panel position mates with the **B** duplex position of a duplex patch cord connector termination, port 2 mates with the **A** duplex position, and so on.

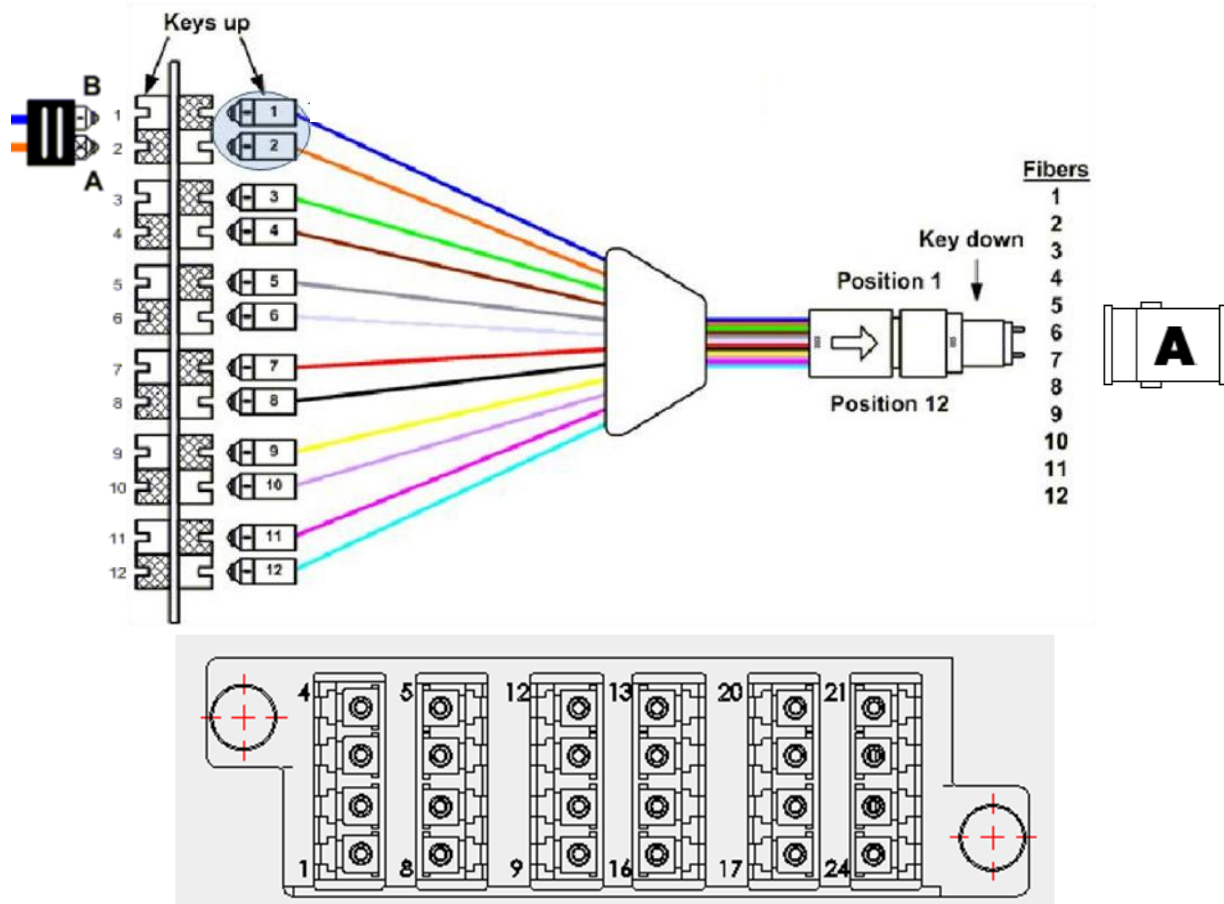


Figure 1. "Standard Polarity" for Ortronics M4 Series LC Quad 24-Fiber Cassette

As shown in Figure 2 below, for "legacy polarity" Ortronics M4 series LC quad 24-fiber cassettes, the port 1 front panel position mates with the **A** duplex position of a duplex patch cord connector termination, port 2 mates with the **B** duplex position, and so on.

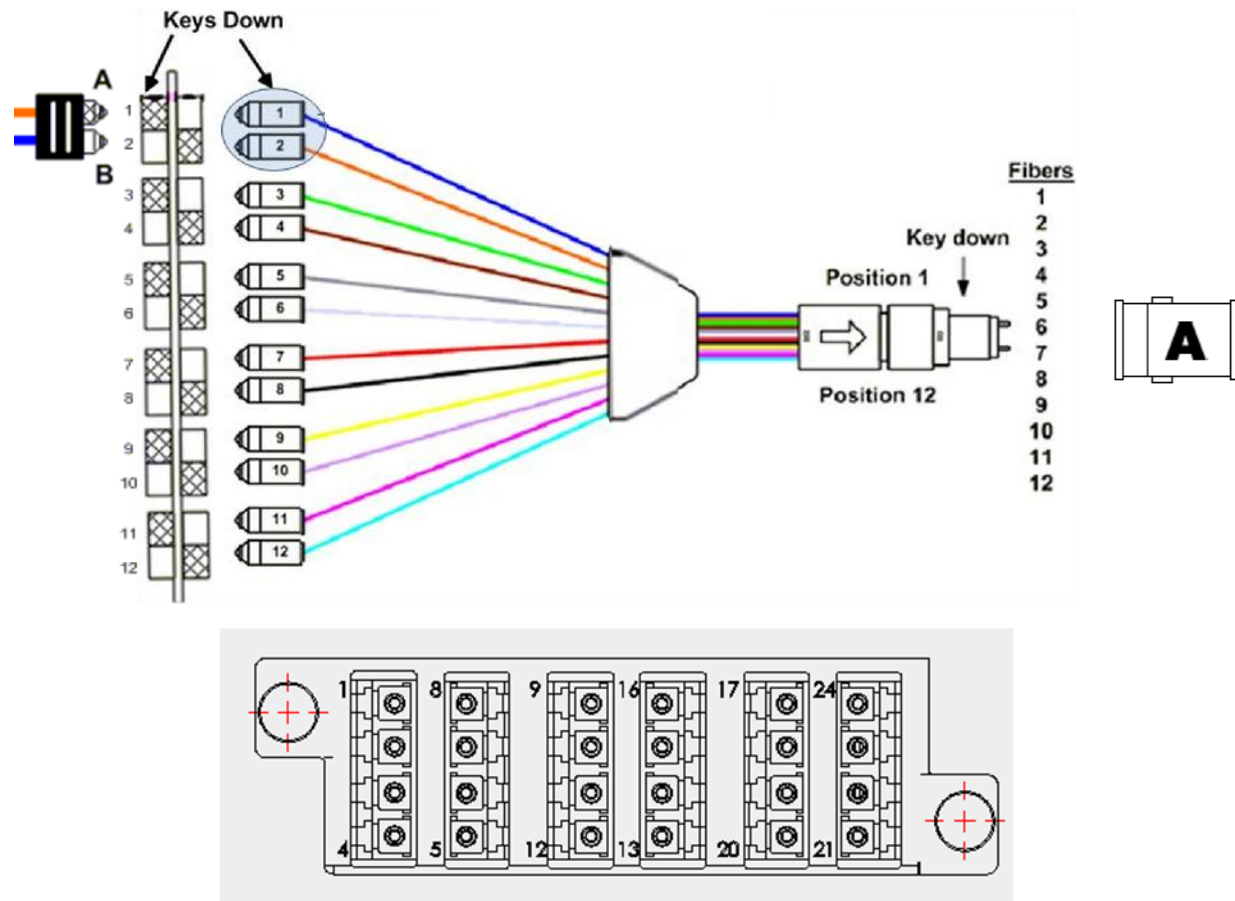


Figure 2. "Legacy polarity" for Ortronics M4 Series LC Quad 24-Fiber Cassette

The result of this alternative scheme is a flip in the A-B duplexing. In most cases this causes no issues to an installation. However, for those instances where the Ortronics M4 series LC quad 24-fiber cassette based on the legacy polarity connects to a fully compliant "Method A" cassette, a simple solution to accommodate the flip in the A-B duplexing is to use a patch cord where the LC connectors are switched in the duplex clip.

To meet the need for product interoperability, Legrand has modified the “standard polarity” in the Ortronics M4 series LC quad 24-fiber cassettes to reflect the polarity in Figure 1, making them fully compatible with all compliant “Method A” products on the market. In order to distinguish between a legacy cassette (legacy polarity) and a standard cassette (current polarity), compare the front panel markings to Figure 1 (showing the current polarity) and Figure 2 (showing the legacy polarity), noting the location of port 1.

To reflect this modification, the cassette part numbers are currently in effect . “Legacy polarity” Ortronics M4 series LC quad 24-fiber cassettes are still available under the newly created OR-868 XXX replacement part numbers, as shown in the table below. The cassette part numbers listed in the table below are the only part numbers that are affected.

The standard M4 series part numbers for current polarity (listed below in the left column) should be used for any new projects moving forward.

Standard M4 series Part Numbers for current polarity	M4 series Cassette Part Numbers for legacy polarity
OR-M4LCQ24-09	OR-86800123-09
OR-M4LCQ24-50E	OR-86800123-50E
OR-M4LCQ24-50EA3A1	OR-86800123-50E3
OR-M4LCQ24-62	OR-86800123-62

Please contact Customer Service at 800.934.5432 for general questions and technical support.