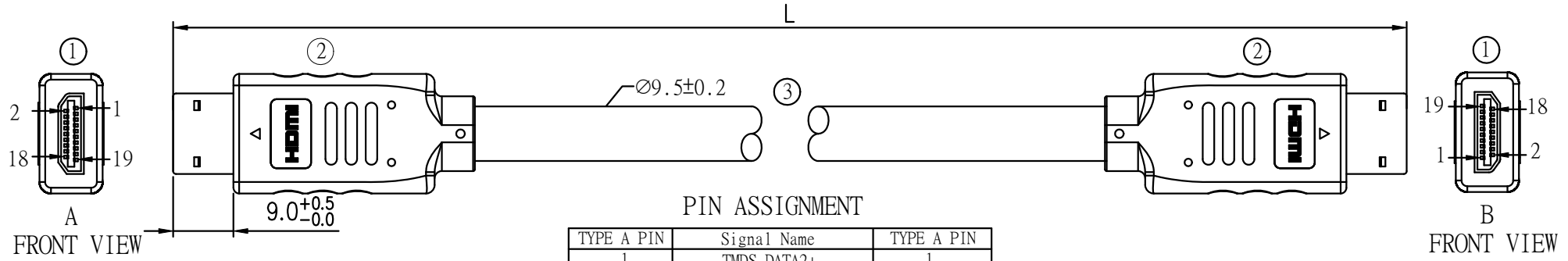


RoHS

REV.	REVISION HISTORY	DATE
0	INITIAL RELEASE	21-JUN-2018



PIN ASSIGNMENT

TYPE A PIN	Signal Name	TYPE A PIN
1	TMDS DATA2+	1
2	TMDS DATA2 SHIELD	2
3	TMDS DATA2-	3
4	TMDS DATA1+	4
5	TMDS DATA1 SHIELD	5
6	TMDS DATA1-	6
7	TMDS DATA0+	7
8	TMDS DATA0 SHIELD	8
9	TMDS DATA0-	9
10	TMDS CLOCK+	10
11	TMDS CLOCK SHIELD	11
12	TMDS CLOCK-	12
13	CEC	13
14	Utility/HEAC+	14
15	SCL	15
16	SDA	16
17	DDC/CEC GROUND	17
18	+5V POWER	18
19	HOT PLUG DETECT/HEAC-	19

P/N CHART

50187_ 80987	18	5.49	5490	±100	±3.94
50188_ 80988	20	6.10	6100	±100	±3.94
P/N	FT	M	L	T(MM)	T(INCH)

ITEM	DESCRIPTIONS	Q'TY
③	HDMI CABLE, [(24AWG*1PAIR+DRAIN+AL+MY)*5PCS+24AWG*4 CONDUCTORS] +F+ADB,PVC JACKET,COLOR:BLACK	1
②	PVC MOLDING HOUSING,COLOR:BLACK	2
①	HDMI 19 PIN MALE CONNECTOR,METAL SHELL GOLD PLATED,INSULATOR COLOR:BLACK	2

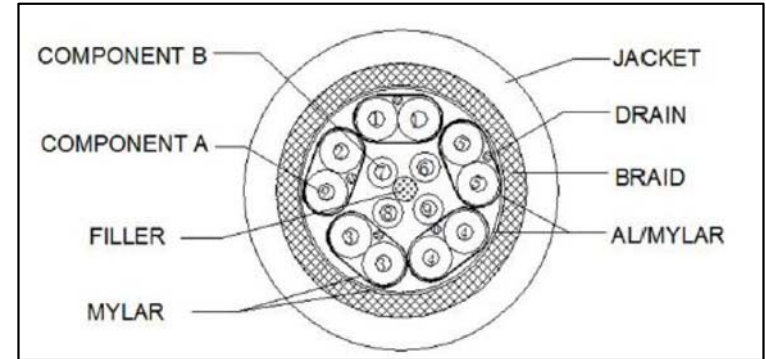
DRAWING APPROVED

PROPRIETARY & CONFIDENTIAL. THE INFORMATION CONTAINED IN THIS DRAWING IS THE SOLE PROPERTY OF CABLES TO GO. ANY REPRODUCTION IN PART OR AS A WHOLE WITHOUT THE WRITTEN PERMISSION OF CABLES TO GO IS PROHIBITED.

	mm	TITLE	 C2G GET CONNECTED
SCALE	NONE	HDMI 19M/HDMI 19M CABLE	
SHEET	1/3	CUS. NAME	
	DIMENSIONAL TOLERANCES UNLESS OTHERWISE NOTED .XX ± =0.5 (0.020") .XXX ± =0.050 (0.001") REV. Ø	CUS. P/N SEE P/N CHART DWG. NO.	ORTRONICS ENG. DATE Zhong 21-JUN-2018 CHECKED DATE Susan 21-JUN-2018 APPROVED DATE Macke 21-JUN-2018

REV.	REVISION HISTORY	DATE
0	INITIAL RELEASE	21-JUN-2018

SPECIFICATION			
(7/0.20Tx2C+D+AL+HM)*5C+7/0.20Tx4C+F+MY+AB24/10/0.10T OD:9.5			
ITEM		SPECIFICATION	
COMPONENT		COMPONENT A	COMPONENT B
Conductor	Constitution AWG/mm	7/0.20 (24AWG)	7/0.20 (24AWG)
	Material	TINNED COPPER STRANDED	TINNED COPPER STRANDED
	Cabling OD mm	0.6	0.6
Insulation	NO of wire	5P	4C
	Material	FOAM-PE+SKIN	HDPE
	OD mm	1.60±0.05	1.0±0.05
	Thickness mm	0.50 (REF)	0.20 (REF)
Shield	Drain	7/0.16T (26AWG)	/
	AL/Mylar	AL.FACE INSIDE	/
	Hot-melt Mylar	Hot-melt Mylar	/
	Filler	FILLER	
	Mylar	MYLAR	
	AL/Mylar	AL.FACE OUTSIDE.	
Shield	Braid	Constitution N/mm	24/10/0.10
		Material	TINNED COPPER WIRE
		Coverage %	85%
Jacket	OD mm	9.5±0.25	
	Material	PVC (CL3 FT4)	
	Thickness mm	0.85 (REF)	
	Hardness A	SHORE.A 80±3	
UL (Style)	UL		
MARKING :	Premium High Speed HDMI™ Cable with Ethernet E468040 (UL) CL3 75°C 24AWG E468039 (UL) CMG c(UL) 75°C FT4 24AWG		

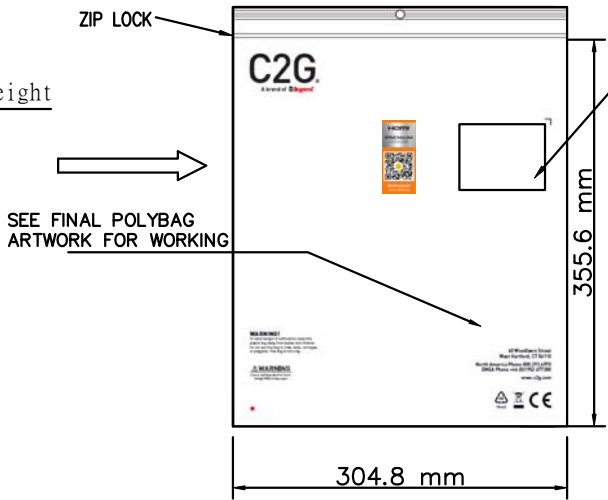
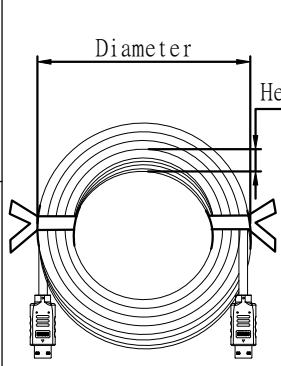


P/N CHART

50187_80987	18	5.49	5490	±100	±3.94
50188_80988	20	6.10	6100	±100	±3.94
P/N	FT	M	L	T(MM)	T(INCH)

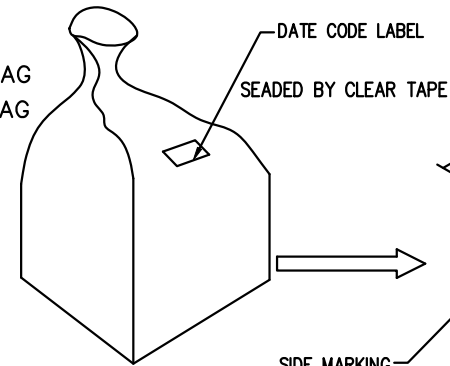
DRAWING APPROVED			
<small>PROPRIETARY & CONFIDENTIAL. THE INFORMATION CONTAINED IN THIS DRAWING IS THE SOLE PROPERTY OF CABLES TO GO. ANY REPRODUCTION IN PART OR AS A WHOLE WITHOUT THE WRITTEN PERMISSION OF CABLES TO GO IS PROHIBITED.</small>			
	mm	TITLE	
SCALE	NONE	HDMI 19M/HDMI 19M CABLE	
SHEET	2/3	CUS. NAME	
<input type="checkbox"/> DIMENSIONAL TOLERANCES UNLESS OTHERWISE NOTED	.XX ±	.XX ±	ENG. DATE
	.X ±	.X ±	Zhang 20-JUN-2018
<input type="checkbox"/> ANGLES ±	.XXX ±	.XXX ±	CHECKED DATE
	.XXX ±	.XXX ±	Susan 20-JUN-2018
REV. Ø	CUS. REV.	DWG. NO.	APPROVED DATE
		SEE P/N CHART	Macke 20-JUN-2018

REV.	REVISION HISTORY	DATE
0	INITIAL RELEASE	21-JUN-2018

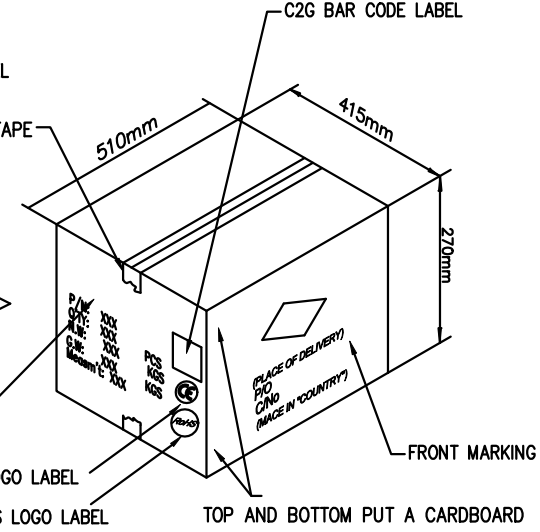


(FRONT)
ZIP LOCK POLYBAG

BAR CODE LABEL
20PCS/WATERPROOF PE BAG
22PCS/WATERPROOF PE BAG



WATERPROOF PE BAG

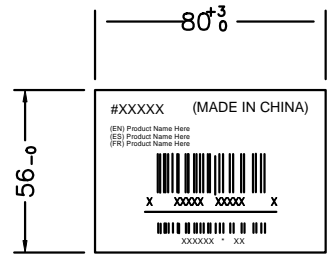


MASTER CARTON

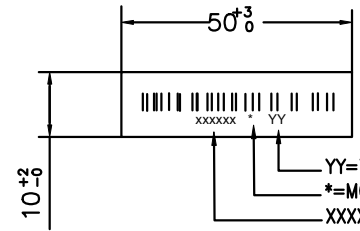
CARTON MARKINGS

SIDE MARKING		FRONT MARKING	
P/N:			(PLACE OF DELIVERY) P/O C/NO (MADE IN CHINA)
Q'TY:	PCS		
N. T.:	KGS		
G. T.:	KGS		
MEA'T			

BAR CODE LABEL



DATE CODE LABEL



MATTERS NEED ATTENTION:
1.Put a waterproof bag in the carton,
Every carton pcs.
2.Top and bottom put a cardboard,
sealed by clear tape.

BAR CODE LABEL
"XXXXX"= 5 DIGIT PART NUMBER
"XX"= LENGTH. SEE P/N CHART

50187_80987	5490±100	240±10	30	22PCS
50188_80988	6100±100	240±10	35	20PCS
P/N	L	Diameter	Height	Qty/water proof PE bag

DRAWING APPROVED

PROPRIETARY & CONFIDENTIAL. THE INFORMATION CONTAINED IN THIS DRAWING IS THE SOLE PROPERTY OF CABLES TO GO. ANY REPRODUCTION IN PART OR AS A WHOLE WITHOUT THE WRITTEN PERMISSION OF CABLES TO GO IS PROHIBITED.

mm	TITLE	
SCALE: NDNE	HDMI 19M/HDMI 19M CABLE	
SHEET 3/3	CUS. NAME	
	ORTRONICS	
DIMENSIONAL TOLERANCES UNLESS OTHERWISE NOTED	CUS. P/N	ENG. DATE
XX ± =0.5 (0.020") XXX ± =0.050 (0.001") REV. Ø	XX ± =0.100 (0.03") ANGLES ±	Zhang 20-JUN-2018
		SEE P/N CHART
CUS. REV.	DWG. NO.	Susan 20-JUN-2018
		APPROVED DATE
		Macke 20-JUN-2018