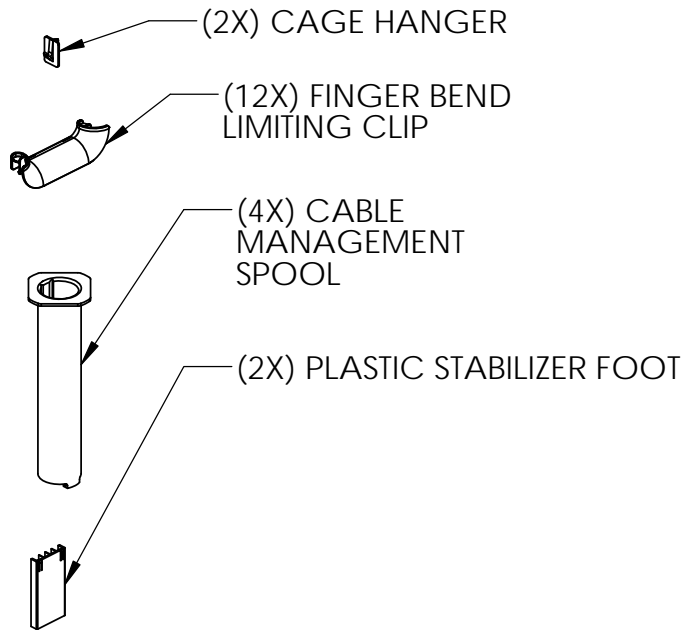
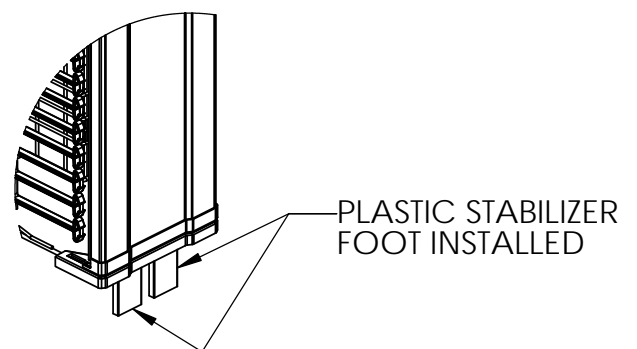


KIT ALSO INCLUDES:



OR-MM20VMD710-W	WHITE
OR-MM20VMD710-B	BLACK
PART NO.	COLOR
PART NUMBER DESIGNATIONS	



NOTE: MOUNTING HARDWARE INCLUDED

<p>*** NOTICE ***</p> <p>THIS DOCUMENT CONTAINS CONFIDENTIAL AND/OR PROPRIETARY INFORMATION INTENDED FOR USE ONLY BY THE INDIVIDUAL(S) PROVIDED. NEITHER THIS DOCUMENT, NOR ANY INFORMATION CONTAINED HEREIN, MAY BE COPIED, DISTRIBUTED, DISCLOSED TO ANY THIRD PARTY OR USED IN ANY MANNER OTHER THAN FOR WHICH IT HAS BEEN PROVIDED, WITHOUT THE PRIOR WRITTEN CONSENT OF ORTRONICS, INC. MANUFACTURING RELEASE, PRODUCT SPECIFICATIONS AND STANDARDS ARE SUBJECT TO CHANGE WITHOUT NOTICE.</p>					<p>125 EUGENE O'NEILL DRIVE NEW LONDON, CT 06320 TEL: 860-445-3800 FAX: 860-405-2990 WWW.ORTRONICS.COM</p>			
			<p>TITLE</p> <p>MM20 VERTICAL CABLE MGMT CAGE W/DOOR 10.45" X 15.04" X 76.94"</p>					
	NAME	DATE	SIZE	CAD FILE	DWG NO	REV		
DWN	JH	5/6/2014	A	MM20VMD710XC	LP12-004-MM6VMD710-X	00		
CHK	JQ	5/6/2014	SCALE NONE		WEIGHT		SHEET 1 OF 1	
APPR	CV	5/7/2014						