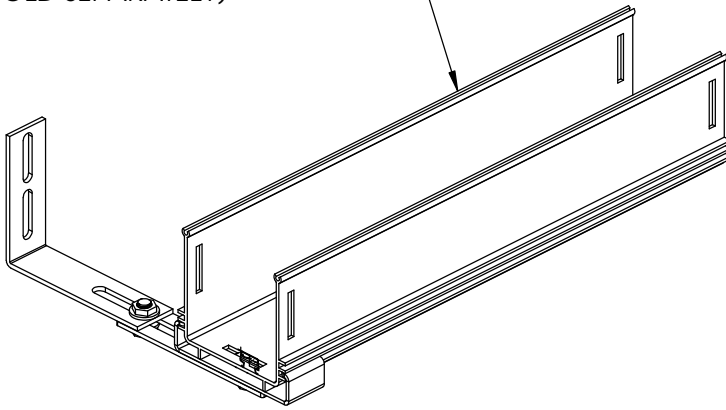
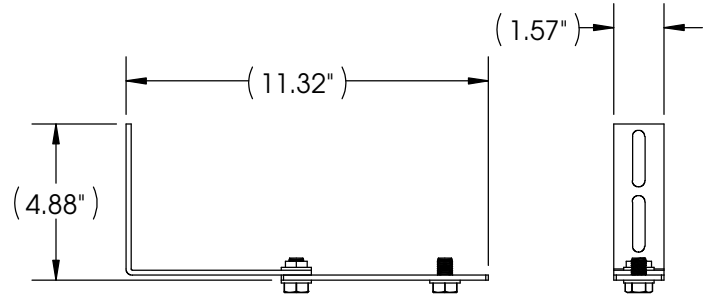


TYPICAL FIBER RACEWAY AND
DUCT MTG BRKT SHOWN
(SOLD SEPARATELY)

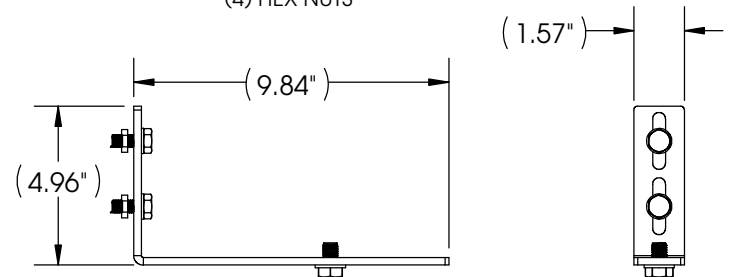


TYPICAL RACEWAY MOUNTING
EXTENSION BRACKET CONFIG.



4" KIT BRACKET EXTENSION

- CONTENTS:
 (1) RIGHT ANGLE BRACKET
 (1) STRAIGHT BRACKET
 (4) HEX HD SCREWS
 (8) FLAT WASHERS
 (4) HEX NUTS



8" KIT BRACKET EXTENSION

- CONTENTS:
 (1) RIGHT ANGLE BRACKET
 (3) HEX HD SCREWS
 (3) FLAT WASHERS
 (2) HEX NUTS

NOTES:

- TWO PLACE DECIMAL DIMENSIONS ARE APPROX. DUE TO METRIC TO INCH CONVERSION.
- IT IS RECOMMENDED TO SUPPORT THE RACEWAY EVERY 36" (900mm).
- MOUNTING BRACKETS SHOULD BE MOUNTED CLOSE TO A JOINER IF POSSIBLE.
- MOUNTING SCREWS PROVIDED WHERE SHOWN.

SIZE IN/(MM)	ORTRONICS P/N	COLOR
2" X 2" (50 X 50)	N/A	N/A
4" X 2" (100 X 50)	MMFMMKEX4	CLEAR ZINC
4" X 4" (100 X 100)		
4" X 8" (100 X 220)	MMFMMKEX8	
12" X 4" (100 X 300)	N/A	N/A

*** NOTICE ***
 THIS DOCUMENT CONTAINS CONFIDENTIAL
 AND/OR PROPRIETARY INFORMATION INTENDED
 FOR USE ONLY BY THE INDIVIDUAL(S) PROVIDED.
 NEITHER THIS DOCUMENT, NOR ANY
 INFORMATION CONTAINED HEREIN, MAY BE
 COPIED, DISTRIBUTED, DISCLOSED TO ANY THIRD
 PARTY OR USED IN ANY MANNER OTHER THAN
 FOR WHICH IT HAS BEEN PROVIDED, WITHOUT THE
 PRIOR WRITTEN CONSENT OF ORTRONICS, INC.
 MANUFACTURING RELEASE, PRODUCT
 SPECIFICATIONS AND STANDARDS ARE SUBJECT
 TO CHANGE WITHOUT NOTICE.



125 EUGENE O'NEILL DRIVE
 NEW LONDON, CT 06320
 TEL: 860-445-3800
 FAX: 860-405-2990
 WWW.ORTRONICS.COM

TITLE
MM FIBER RACEWAY, KIT BRACKET EXTENSION

	NAME	DATE	SIZE	CAD FILE	DWG NO	REV
DWN	J.QUINN	04/24/12	A	MMFMMKEXXC	OR-MMFMMKEXX	00
CHK	J.LUCY	05/01/12	SCALE	1:8	WEIGHT	
APPR	C.VACCA	05/01/12			SHEET	1 OF 1