

- NOTES:
1. ALL DIMENSIONS ARE IN INCHES.
 2. THE FIBER CABINET PART NUMBER CONSISTS OF A BASE PART NUMBER AND ADDITIONAL IDENTIFIERS AS SEEN IN TABLES 1 & 2.
 3. THE PANEL ORIENTATION IS HORIZONTAL.
 4. THE FRONT DOOR LATCH IS A PUSH TO OPEN.
 5. THE STANDARD CABINET COLOR IS MAGNESIUM.
 6. THE CABINET ASSEMBLY INCLUDES HOOK/LOOP TIE WRAPS, MOUNTING SCREWS, AND REAR CABLE MANAGERS AS UNINSTALLED ITEMS PACKED INSIDE A HARDWARE PACK.

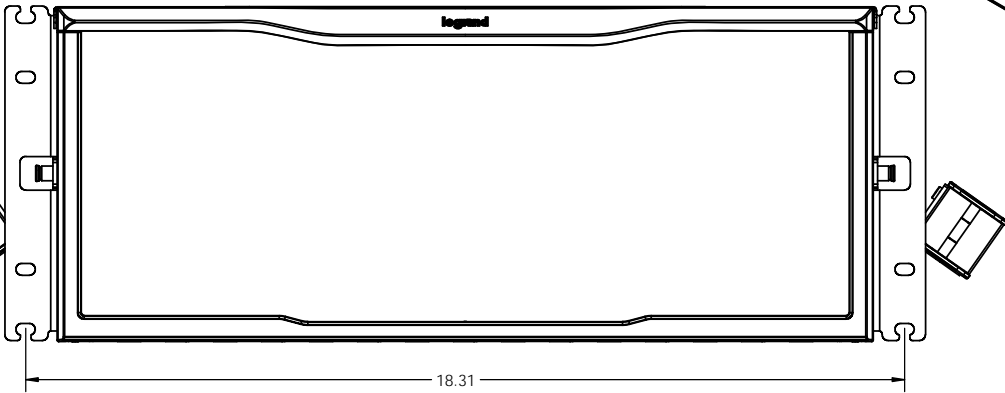
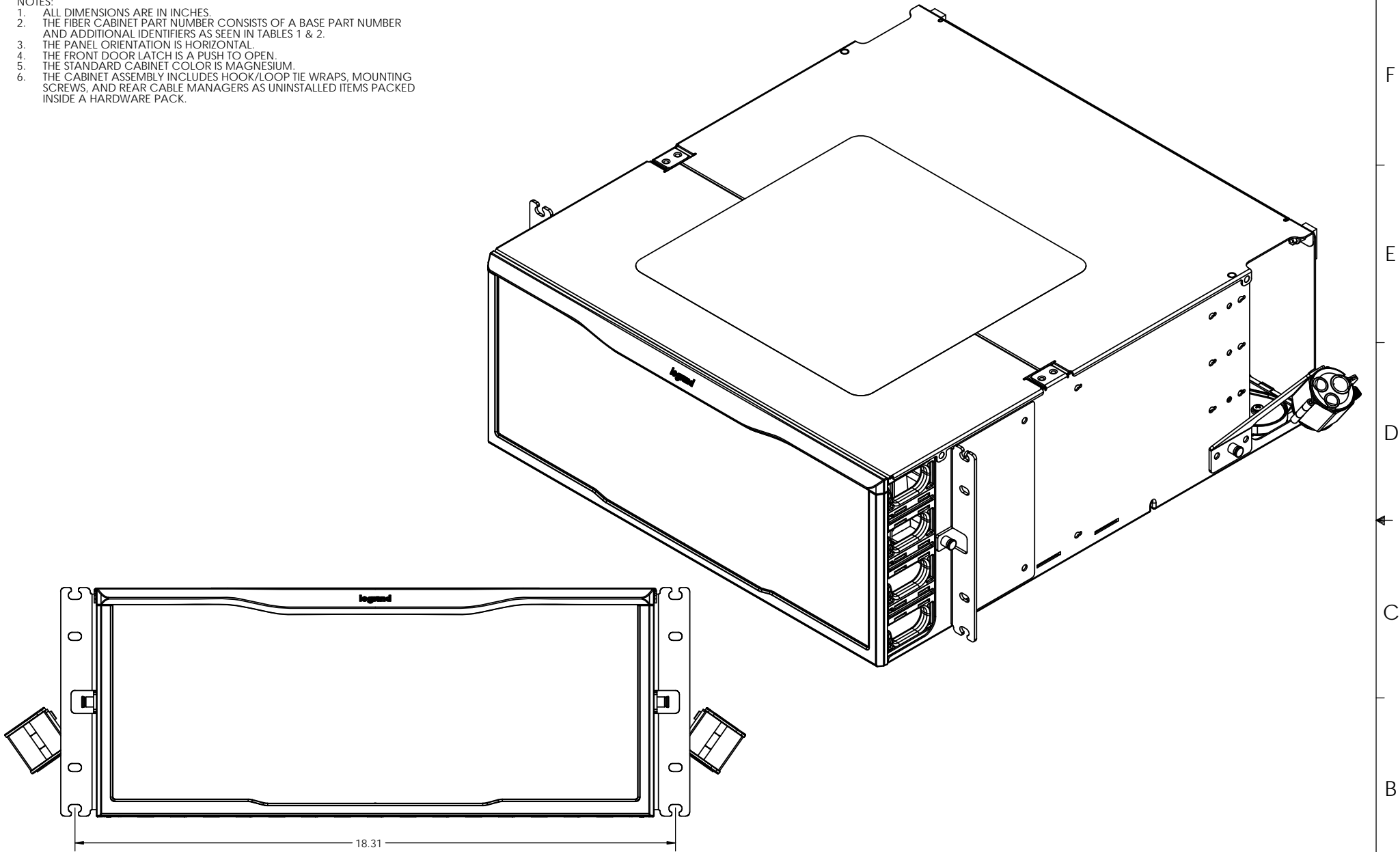


TABLE 1

CASSETTE TYPE "-MX"	DRAWERFACE
M4	M4 DRAWERFACE
M8	M8 DRAWERFACE

TABLE 2

COLOR CODE "-Z"	COLOR
NONE	MAGNESIUM

INFC04U-MX-Z

BASE NUMBER COLOR IDENTIFIER (SEE TABLE 2)
 CASSETTE IDENTIFIER (SEE TABLE 1)

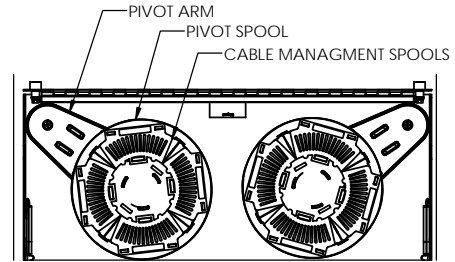
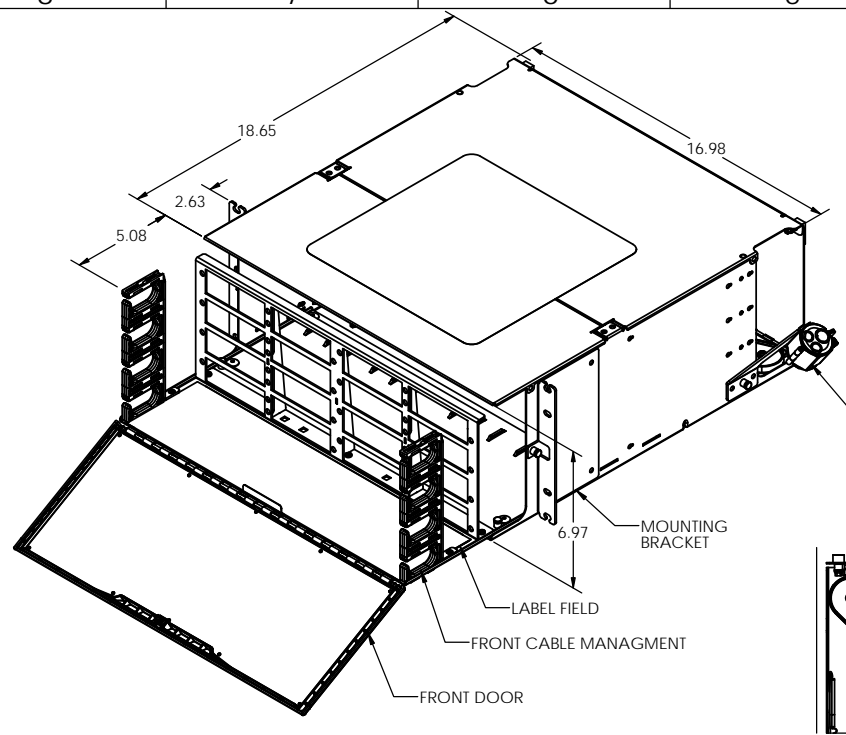
PART NUMBER LEGEND

*** NOTICE ***
 THIS DOCUMENT CONTAINS CONFIDENTIAL AND/OR PROPRIETARY INFORMATION INTENDED FOR USE ONLY BY THE INDIVIDUAL(S) PROVIDED. NEITHER THIS DOCUMENT, NOR ANY INFORMATION CONTAINED HEREIN, MAY BE COPIED, DISTRIBUTED, DISCLOSED TO ANY THIRD PARTY OR USED IN ANY MANNER OTHER THAN FOR WHICH IT HAS BEEN PROVIDED, WITHOUT THE PRIOR WRITTEN CONSENT OF LEGRAND INC.

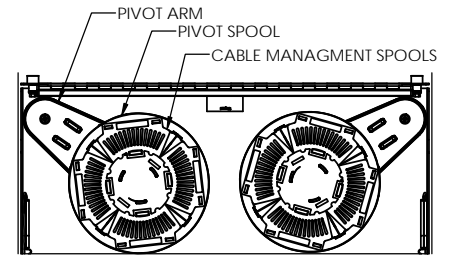
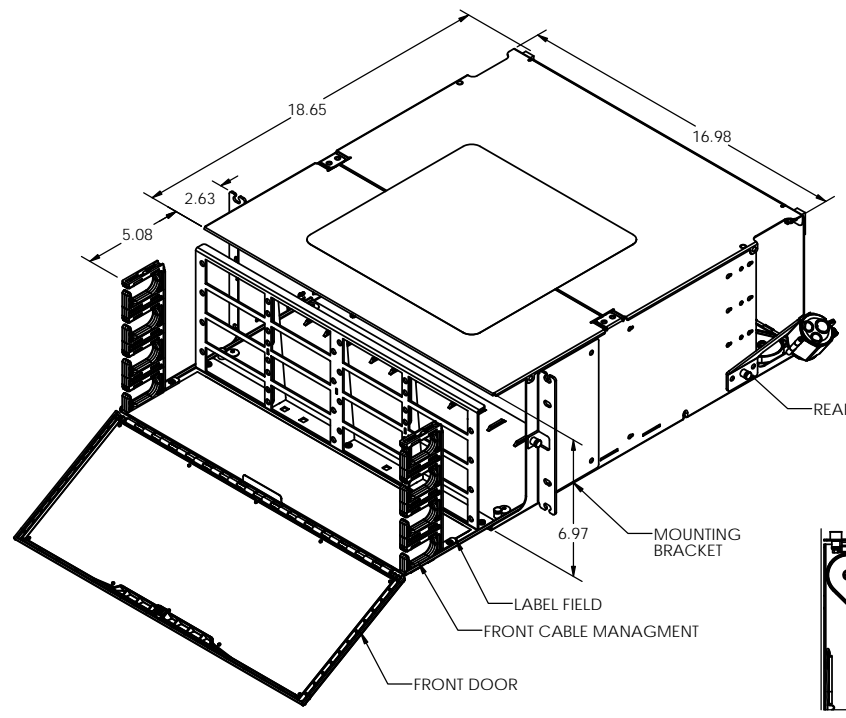
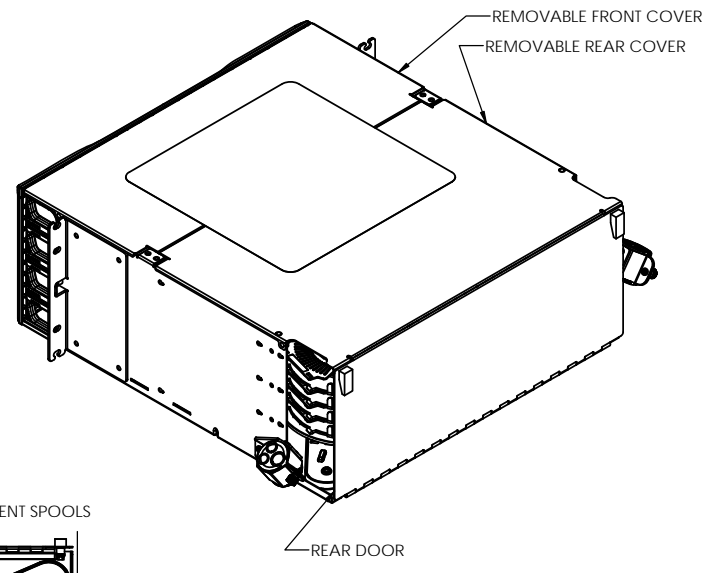
legrand WWW.LEGRAND.US

TITLE: ENCLOSURE, INFINIUM. FIBER, 4U

NAME	DATE	SIZE	CAD FILE	DWG NO	REV
DWN RJK	05/17/2018	C	INFC04UMXC	INFC04U-MX-Z	01
CHK DMS	5/17/2018	SCALE 1:2		SHEET	1 OF 2
APPR RH	5/17/2018				



M4 CONFIGURATION SHOWN ABOVE



M8 CONFIGURATION SHOWN ABOVE

