

NOTES, UNLESS OTHERWISE SPECIFIED:

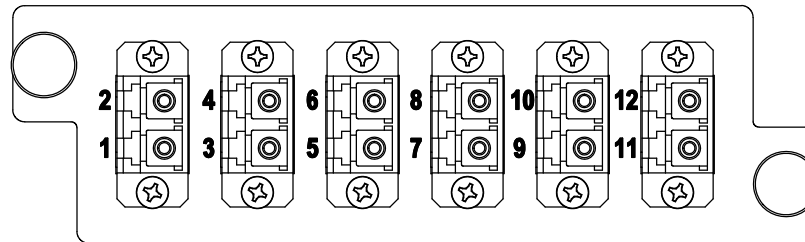
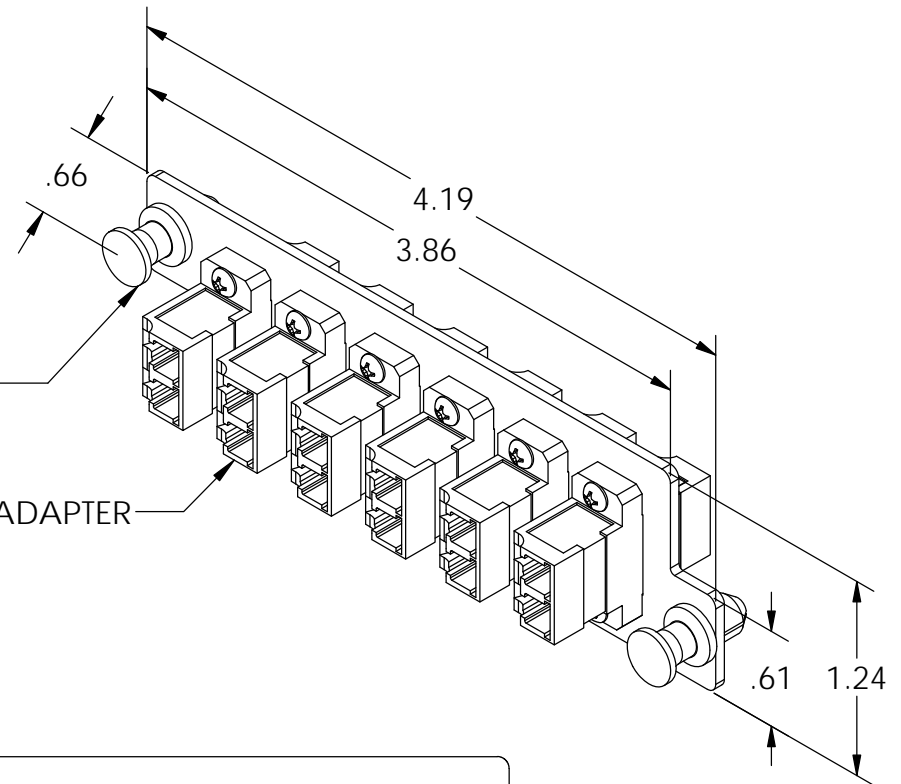
1. DUST CAPS ARE PROVIDED INSTALLED.
2. DIMENSIONS ARE IN INCHES.
3. THE "X" IN THE PART NUMBER "HDFP-LCD12XY" DESIGNATES THE ADAPTER COLOR IN ACCORDANCE WITH TABLE 1. THE "Y" IN THE PART NUMBER "HDFP-LCD12XY" DESIGNATES THE ADAPTER SLEEVE MATERIAL IN ACCORDANCE WITH TABLE 2.

"X"	COLOR
A	BLUE
B	ORANGE
C	GREEN
D	BROWN
E	SLATE
F	WHITE
G	RED
H	BLACK
I	YELLOW
J	VIOLET
K	ROSE
L	AQUA
M	BEIGE
N	ERIKA VIOLET
P	DK. GREEN
Q	LIME
W	PURPLE

"Y"	ALIGNMENT SLEEVE MATERIAL
B	PHOSPHOR BRONZE
C	CERAMIC

PLUNGER AND GROMMET  
2 PLACES

(6) LC DUPLEX ADAPTER



<p>*** NOTICE *** THIS DOCUMENT CONTAINS CONFIDENTIAL AND/OR PROPRIETARY INFORMATION INTENDED FOR USE ONLY BY THE INDIVIDUAL(S) PROVIDED. NEITHER THIS DOCUMENT, NOR ANY INFORMATION CONTAINED HEREIN, MAY BE COPIED, DISTRIBUTED, DISCLOSED TO ANY THIRD PARTY OR USED IN ANY MANNER OTHER THAN FOR WHICH IT HAS BEEN PROVIDED, WITHOUT THE PRIOR WRITTEN CONSENT OF LEGRAND, INC. MANUFACTURING RELEASE, PRODUCT SPECIFICATIONS AND STANDARDS ARE SUBJECT TO CHANGE WITHOUT NOTICE.</p>				<p>WWW.LEGRAND.US</p>	
TITLE		PANEL, 6, LC, DX, 12F			
NAME	DATE	SIZE	CAD FILE	DWG_NO	REV
DWN XQZ	5/9/2017	A	HDFPLCD12XYC	HDFP-LCD12XY	02
CHK RJG	5/8/2017	SCALE 1:1		SHEET 1 OF 1	
APPR RH	6/13/2017				

\* X=M SELECTION FOR BEIGE WILL HAVE Y=B FOR PHOSPHOR BRONZE FOR ALIGNMENT SLEEVE.