

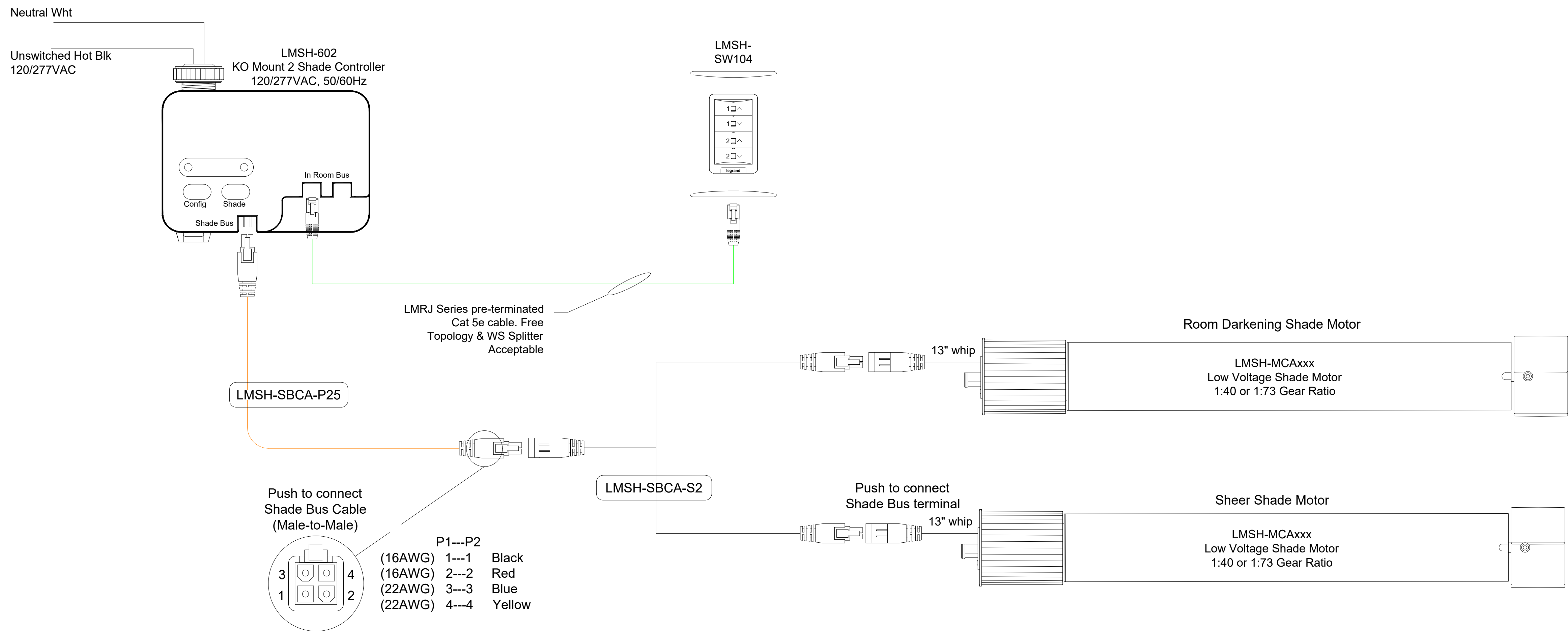
ROOM WITH 2 SHADES

SHEET INFORMATION:

SHEET:	
DATE:	3/24/21
QUOTE:	

REV DESCRIPTION DATE

PROJECT:



ROOM WITH DARKENING AND SHEER SHADE

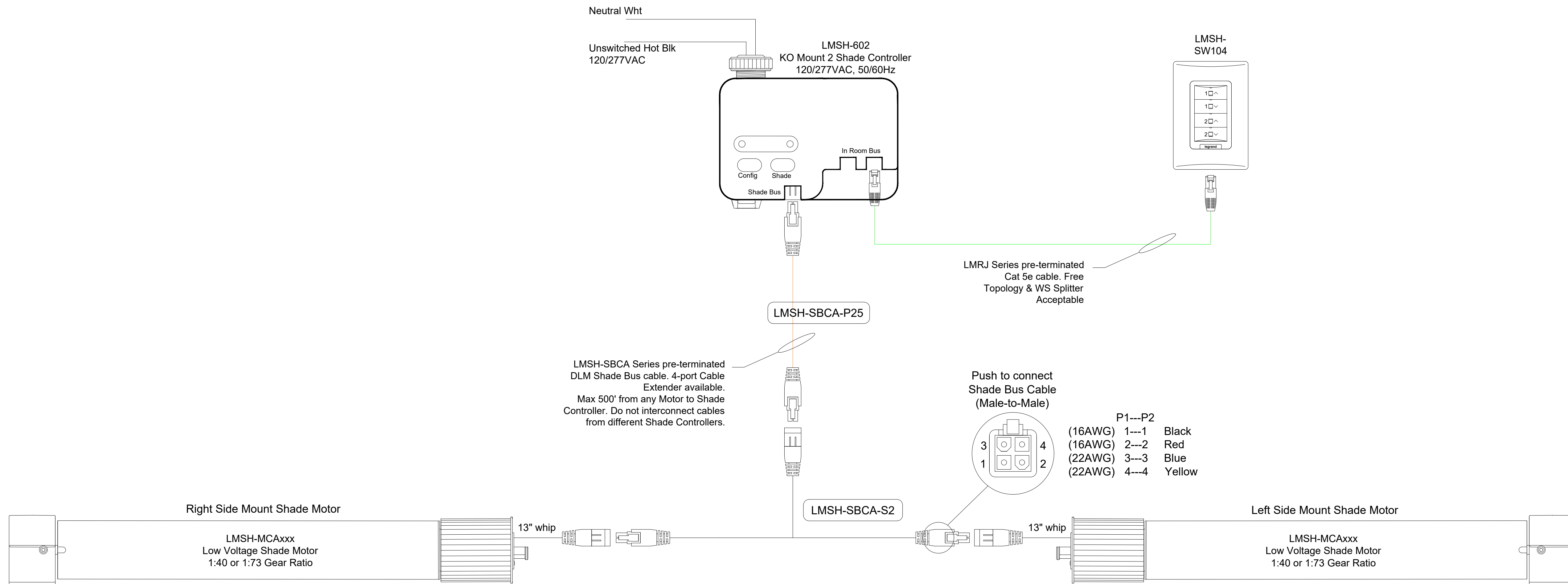
SHEET INFORMATION:

SHEET:	
DATE:	3/24/21
QUOTE:	

REV	DESCRIPTION	DATE

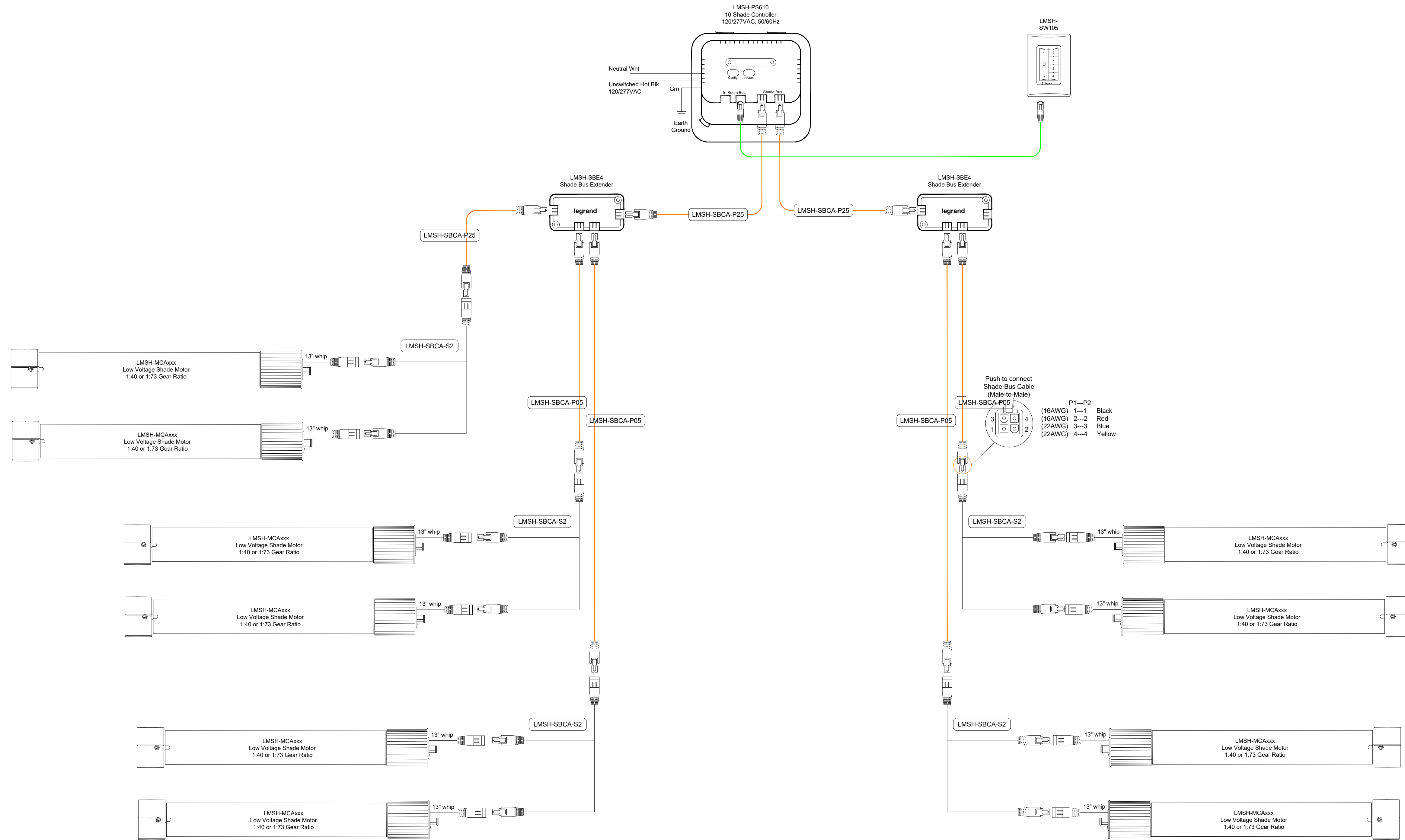
PROJECT:

ORIGINAL DOCUMENT:	
WS PROJECT NUMBER:	
APPLICATION ENGINEER:	



ROOM WITH 2 SHADE MOTORS (MOUNTED END TO END)

SHEET INFORMATION:		PROJECT:	DATE	DESCRIPTION	REV
SHEET:	DATE:				
	3/24/21				
QUOTE:		ORIGINAL DOCUMENT:			
		W/S PROJECT NUMBER:			
		APPLICATION ENGINEER:			



ROOM WITH 10 SHADE MOTORS

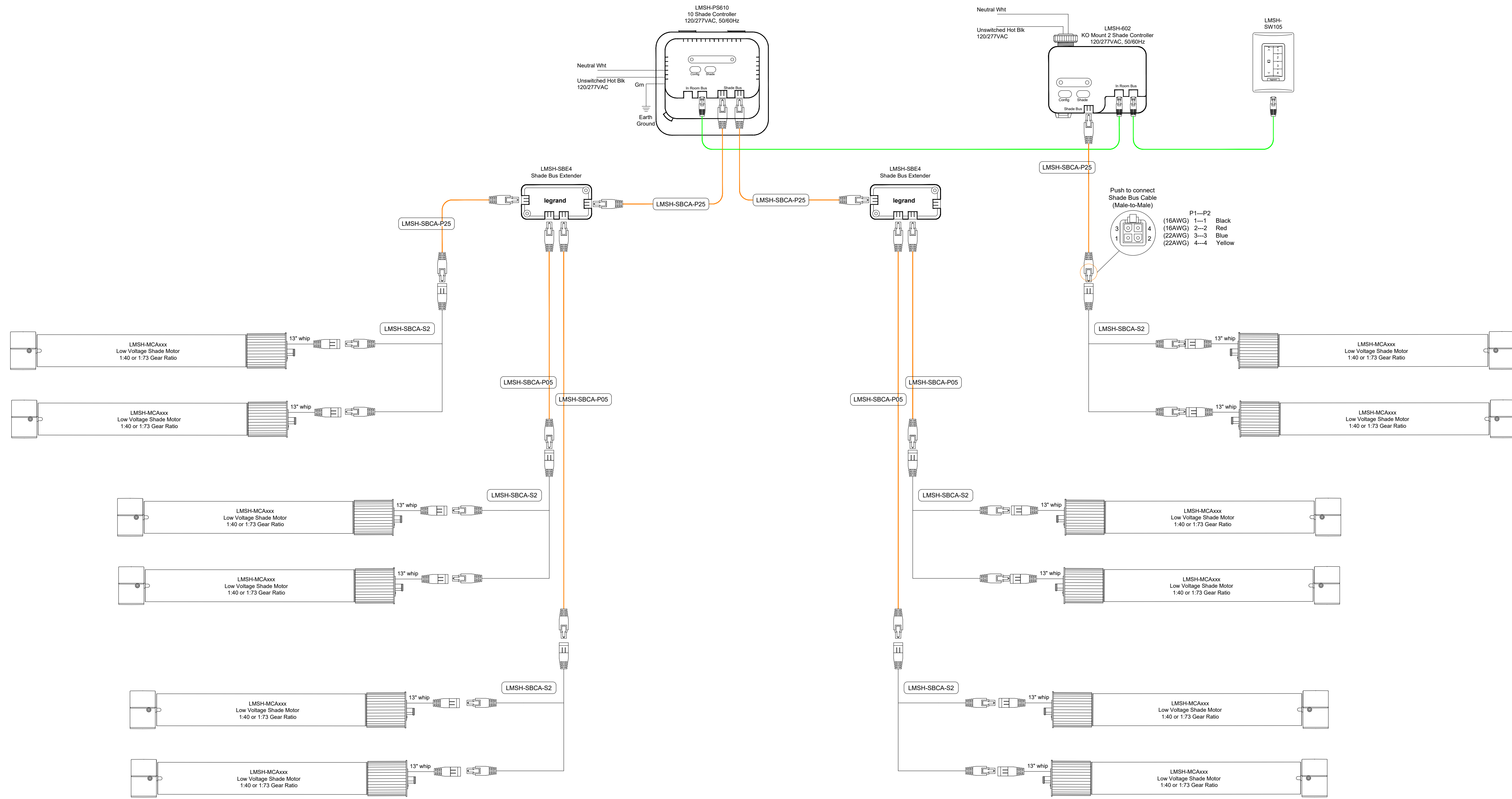
SHEET INFORMATION:

SHEET:	
DATE:	3/24/21
QUOTE:	

REV DESCRIPTION DATE

PROJECT:

ORIGINAL DOCUMENT:	
WS PROJECT NUMBER:	
APPLICATION ENGINEER:	



ROOM WITH 12 SHADE MOTORS

SHEET INFORMATION:

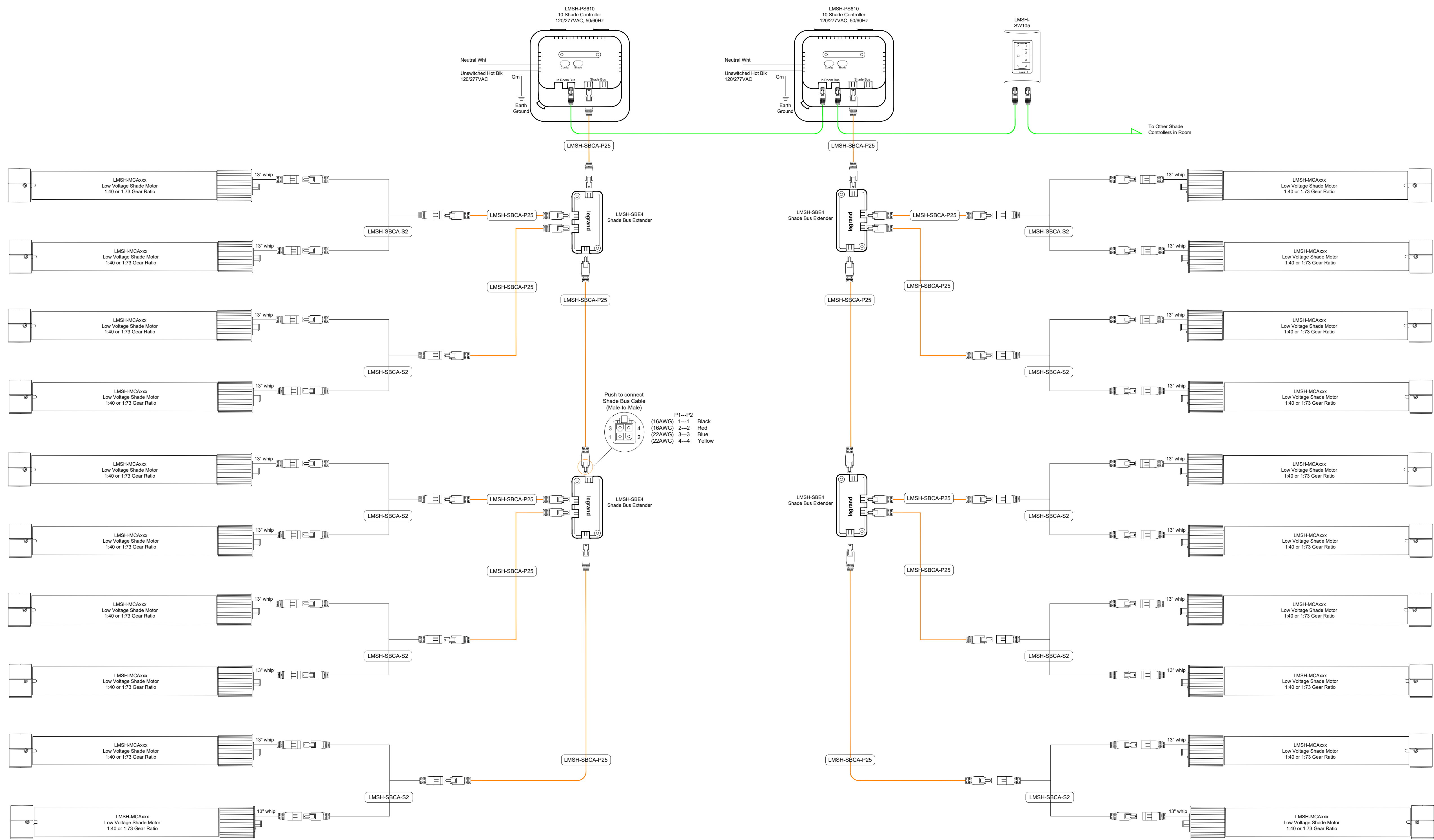
SHEET:	
DATE:	3/24/21
QUOTE:	

REVISIONS:

REV	DESCRIPTION	DATE

PROJECT:

ORIGINAL DOCUMENT:	
WS PROJECT NUMBER:	
APPLICATION ENGINEER:	



ROOM WITH 20 SHADE MOTORS

SHEET INFORMATION:		PROJECT:	
		DATE:	
SHEET:	DATE:	DESCRIPTION:	REV:
DATE:	3/24/21		
QUOTE:			
ORIGINAL DOCUMENT:		PROJECT:	
WIS PROJECT NUMBER:		DATE:	
APPLICATION ENGINEER:		DESCRIPTION:	REV:

Wattstopper

www.legrand.us/wattstopper
Phone: 800-879-8585



