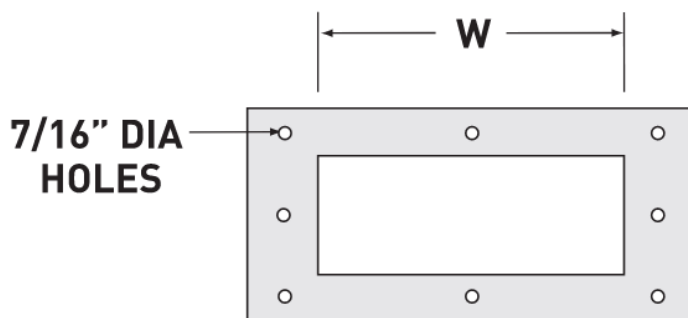
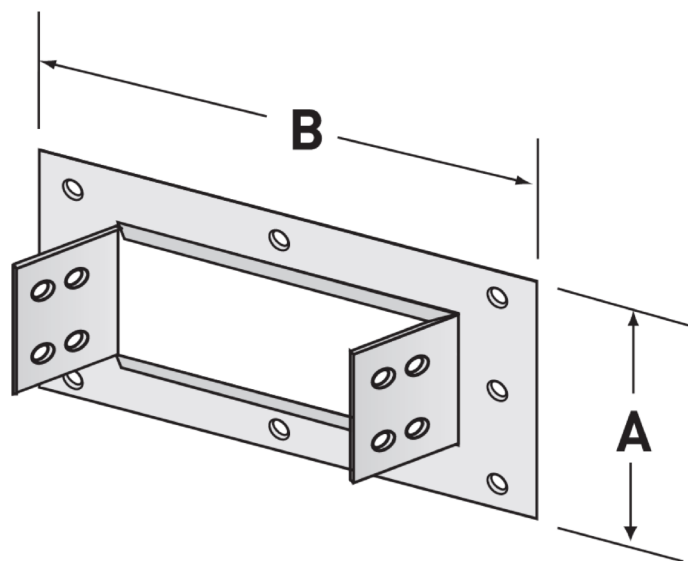


## 0403

### TRAY-TO-BOX FRAME CONNECTOR

**TRAY-TO-BOX  
FRAME CONNECTOR** G T



#### DIMENSIONS

A	$H + 3\text{-}\frac{3}{4}$
B	$W + 4$

#### WIDTHS (W) INCHES

6 | 9 | 12 | 18 | 24 | 30 | 36

CONNECTOR DESIGNED TO FIT BOTH SERIES 1 & 2 SYSTEMS. WHEN ORDERING, HOWEVER, THEY SHOULD BE SPECIFIED AS SERIES 2.

PRODUCT NUMBER	FASTENER OPTIONS
<b>0403</b>	<span style="background-color: #92d050; padding: 2px 5px;">GE</span> <span style="background-color: #00a0e3; padding: 2px 5px;">S6</span>
<b>CATALOG NUMBERING EXAMPLE:</b>	
Connector System No. 4 G 2 - <b>0403</b>	Width Fasteners - 12 - GE

Sold individually.

- **Material:** Hot-Dipped Galvanized (G), 316L Stainless Steel (T)
- **Fasteners:** Geomet (GE), 316L Stainless Steel (S6)
- **Height (H):** Tray height: 4", 5", 6", 7"
- **Torque:** 19 - 25 ft-lbs