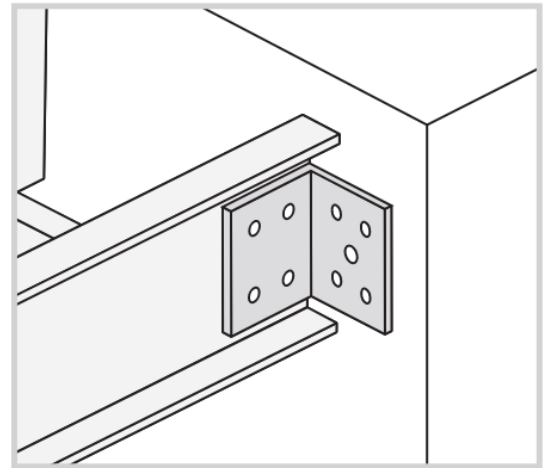
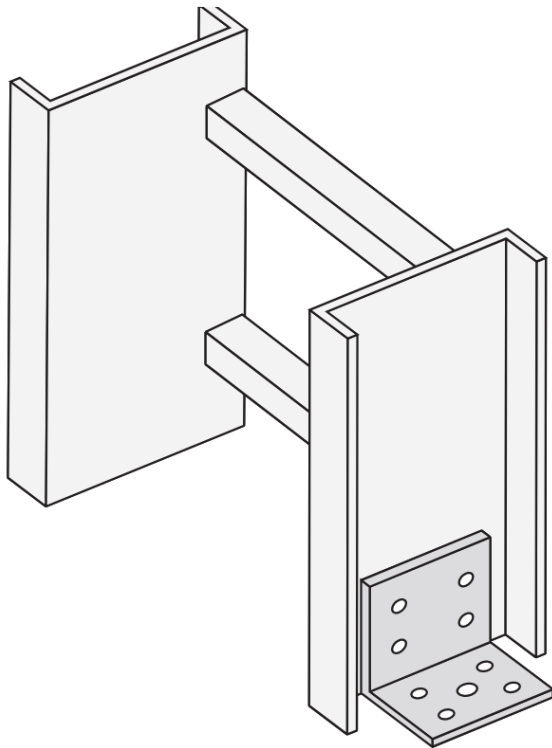


1864

FLOOR FLANGE / TRAY-TO-BOX CONNECTOR SPLICE

FLOOR FLANGE / TRAY-TO-BOX CONNECTOR

G T



Fasteners for tray attachment only are included. Floor connection leg has 9/16" diameter hole.

CONNECTOR DESIGNED TO FIT BOTH SERIES 1 & 2 SYSTEMS. WHEN ORDERING, HOWEVER, THEY SHOULD BE SPECIFIED AS SERIES 2.

PRODUCT NUMBER	FASTENER OPTIONS
1864	GE S6
CATALOG NUMBERING EXAMPLE:	
Connector System No. Fasteners 4 G 2 - 1864 - G E	

- **Material:** Hot-Dipped Galvanized (G), 316L Stainless Steel (T)
- **Fasteners:** Geomet (GE), 316L Stainless Steel (S6)
- **Height (H):** Tray height: 4", 5", 6", 7"
- **Torque:** 19 - 25 ft-lbs