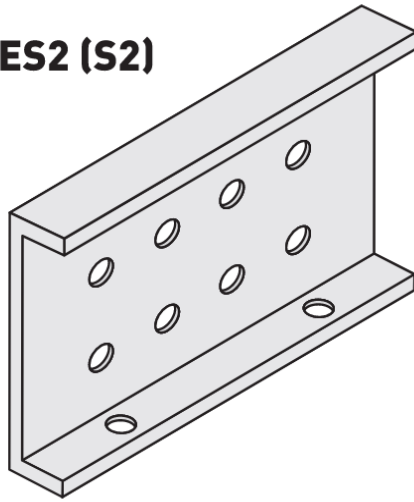


1385 MID-SPAN SPLICE

MID-SPAN SPLICE

G T

SERIES2 (S2)



These heavy-duty splice plates are designed for random location, including mid-span. Field-drilled holes are required in the bottom flanges of adjoining trays.

SERIES2 (S2)

Fitting side rails have 5" tangents at the end of each fitting, to accommodate splice plates with eight holes.

PRODUCT NUMBER	FASTENER OPTIONS
1385	GE S6
CATALOG NUMBERING EXAMPLE:	
Connector System No.†	Fasteners
4 G 2 -	1385 - S 6
†This item must be specified as Series 2 in the System No.	

- **Material:** Hot-Dipped Galvanized (G), 316L Stainless Steel (T)
- **Fasteners:** Geomet (GE), 316L Stainless Steel (S6)
- **Height (H):** Tray height: 4", 5", 6", 7"
- **Torque:** 19 - 25 ft-lbs