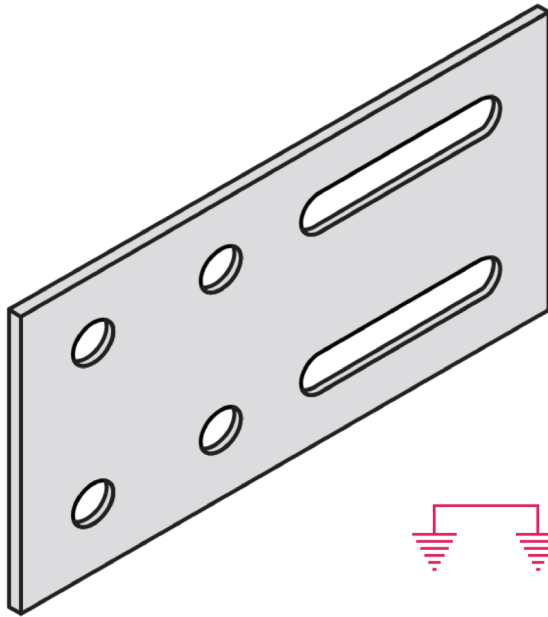


EXPANSION SPLICE G T



Permits thermal contraction and expansion in a cable tray installation. The length of the straight cable tray run and the temperature differential govern the number and spacing of expansion connectors. Expansion splice plates permit 2" of movement.

CONNECTOR DESIGNED TO FIT BOTH SERIES 1 & 2 SYSTEMS. WHEN ORDERING, HOWEVER, THEY SHOULD BE SPECIFIED AS SERIES 2.

PRODUCT NUMBER	FASTENER OPTIONS
1314	<span style="background-color: #90EE90; padding: 2px;">GE</span> <span style="background-color: #00BFFF; padding: 2px;">S6</span>
CATALOG NUMBERING EXAMPLE:	
Connector System No.	Fasteners
4 G 2 -	1314 - GE

The symbol indicates that bonding jumpers are required.

- **Material:** Hot-Dipped Galvanized (G), 316L Stainless Steel (T)
- **Fasteners:** Geomet (GE), 316L Stainless Steel (S6)
- **Height (H):** Tray height: 4", 5", 6", 7"
- **Torque:** 19 - 25 ft-lbs