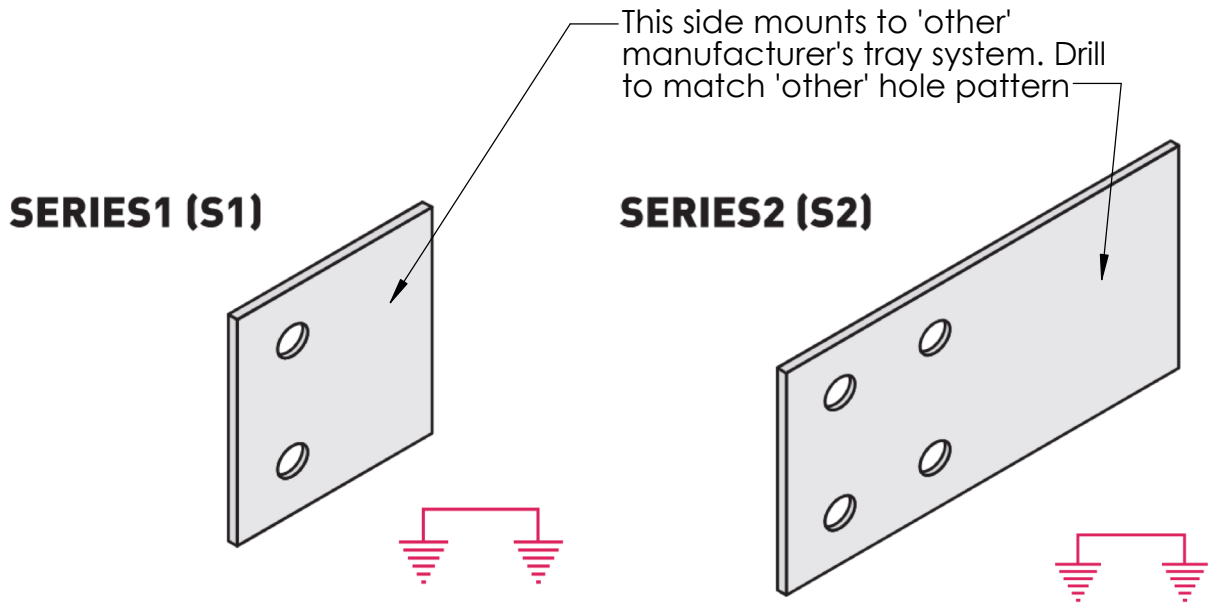


UNIVERSAL SPLICE G T



SERIES1 (S1)

Fitting side rails have 2" tangents (flat portion beyond curvature) at the end of each fitting, to accommodate splice plates with four holes.

SERIES2 (S2)

Fitting side rails have 5" tangents at the end of each fitting, to accommodate splice plates with eight holes.

The symbol indicates that bonding jumpers are required.

- **Material:** Hot-Dipped Galvanized (G), 316L Stainless Steel (T)
- **Fasteners:** Geomet (GE), 316L Stainless Steel (S6)
- **Height (H):** Tray height: 4", 5", 6", 7"
- **Torque:** 19 - 25 ft-lbs

PRODUCT NUMBER	FASTENER OPTIONS
1335	GE S6
CATALOG NUMBERING EXAMPLE:	
Connector System No.†	Fasteners
4 G 1 -	1335 - GE