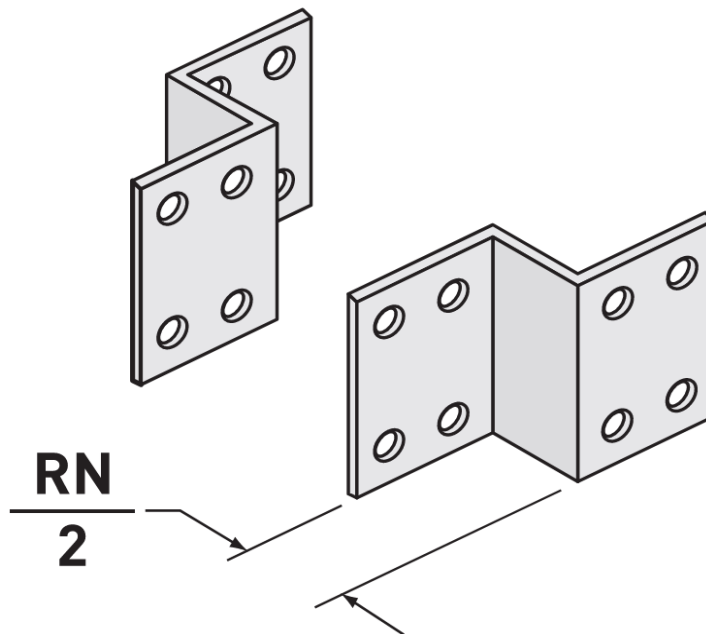


## 1303 STRAIGHT REDUCER SPLICE

### STRAIGHT REDUCER SPLICE G T



#### REDUCTION (RN) INCHES

3 | 6 | 9 | 12 | 15 | 18 | 21 | 24 | 27 | 30

CONNECTOR DESIGNED TO FIT BOTH SERIES 1 & 2 SYSTEMS. WHEN ORDERING, HOWEVER, THEY SHOULD BE SPECIFIED AS SERIES 2.

EXAMPLE: TO REDUCE FROM AN 18" WIDE TRAY TO A 12" WIDE TRAY THE PART NUMBER WOULD BE 4G2-1303-06-GE.

PRODUCT NUMBER	FASTENER OPTIONS
1303	<span style="background-color: #90EE90; padding: 2px;">GE</span> <span style="background-color: #00BFFF; padding: 2px;">S6</span>
<b>CATALOG NUMBERING EXAMPLE:</b>	
Connector System No.	RN Fasteners
4 G 2 - <b>1303</b> - 06 - G E	

- **Material:** Hot-Dipped Galvanized (G), 316L Stainless Steel (T)
- **Fasteners:** Geomet (GE), 316L Stainless Steel (S6)
- **Height (H):** Tray height: 4", 5", 6", 7"
- **Torque:** 19 - 25 ft-lbs