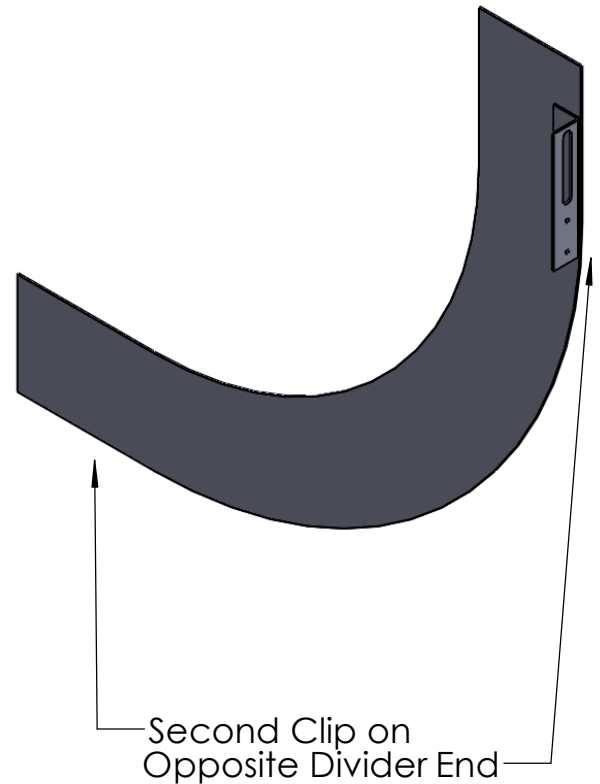


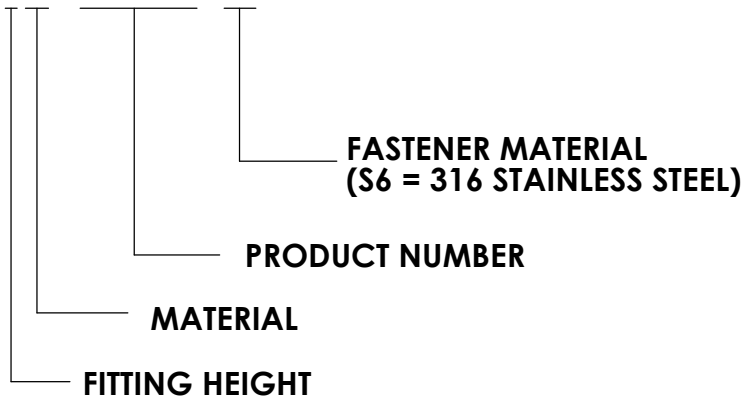


PW Steel Ladder Cable Tray Vertical Inside Divider

PRODUCT NUMBER	R	DIVIDER TYPE
9112-99	12	90° Inside Elbow
9124-99	24	
9136-99	36	
6112-99	12	60° Inside Elbow
6124-99	24	
6136-99	36	
4612-99	12	45° Inside Elbow
4624-99	24	
4636-99	36	
3112-99	12	30° Inside Elbow
3124-99	24	
3136-99	36	
FASTENER OPTIONS		S6



SAMPLE PART NO. 6M-9112-99-S6



Material: Mill Galvanized Steel (M)
 HDGAF Steel (G)
 Stainless Steel (T)

Fitting Height: 4, 5, 6, 7"

Furnished with two #10 Stainless Steel Self-Drilling Screws

"Copyright LNCA, Inc. Drawings are proprietary and may not be copied or otherwise duplicated or used without express written permission."

CABCS1525

Legrand/Cablofil
 8319 State Rt. 4
 Mascoutah, IL 62258 USA
 800-658-4641
 Fax 618-566-4978
 www.legrand.us/cablofil