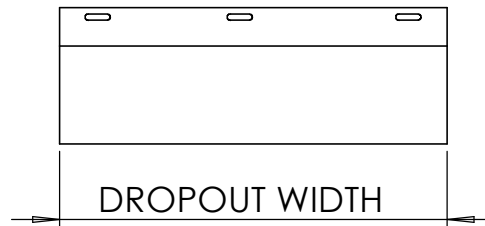
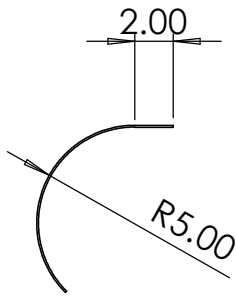
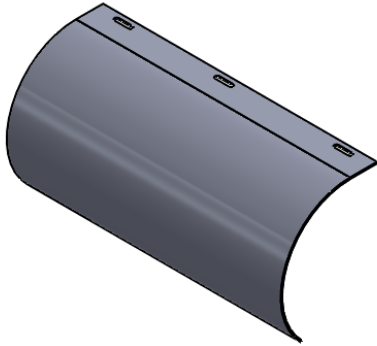




PW Ladder Cable Tray Cable Dropout

0254 Series 5 Inch Radius Dropout

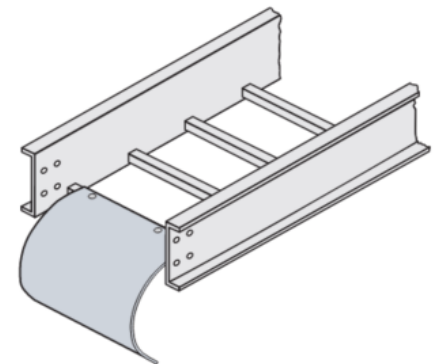


TRAY WIDTH (NOMINAL)	6	9	12	18	24	30	36	IN
DROPOUT WIDTH (FLG IN)	2 ¹ / ₄	5 ¹ / ₄	8 ¹ / ₄	14 ¹ / ₄	20 ¹ / ₄	26 ¹ / ₄	32 ¹ / ₄	
DROPOUT WIDTH (FLG OUT)	5 ¹ / ₄	8 ¹ / ₄	11 ³ / ₄	17 ³ / ₄	23 ³ / ₄	29 ³ / ₄	35 ³ / ₄	

PRODUCT NUMBER	R
0254	5
FASTENER OPTIONS	ZN S6
CATALOG NUMBERING EXAMPLE:	
Material - Flange	Width Fasteners
MI - 0254	- 06 - S 6

Material: Mill Galvanized Steel (M)
HDGAF Steel (G)
Stainless Steel (T)

Hardware: 1/4" Carriage Bolt, Flat Washer and Hex Nut Included for Cable Tray Attachment



"Copyright LNCA, Inc. Drawings are proprietary and may not be copied or otherwise duplicated or used without express written permission."

CABCS1527

Legrand/Cablofil
8319 State Rt. 4
Mascoutah, IL 62258 USA
800-658-4641
Fax 618-566-4978
www.legrand.us/cablofil