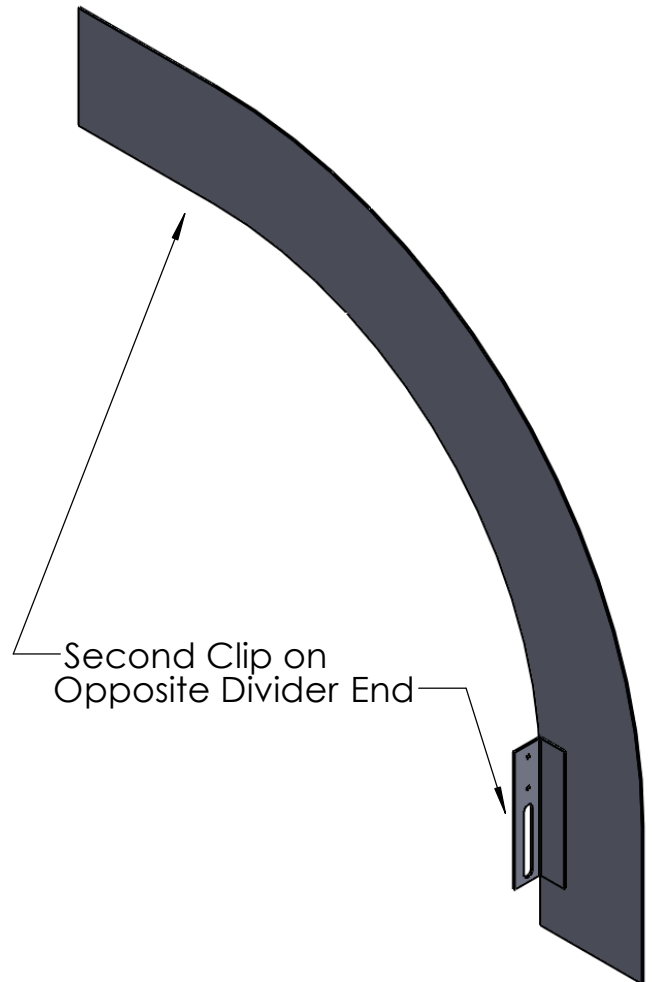


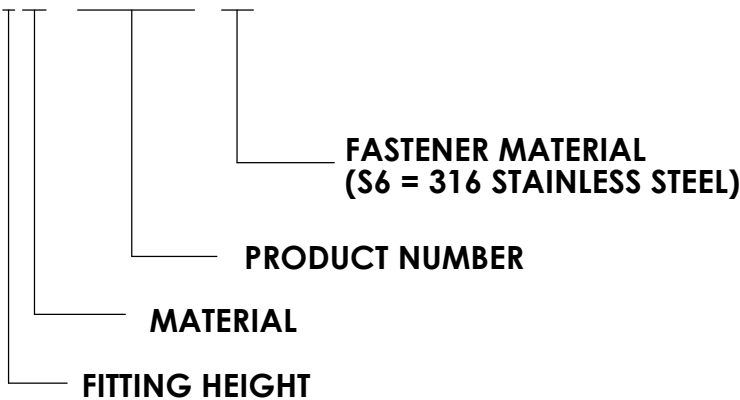


PW Steel Ladder Cable Tray Vertical Outside Divider

PRODUCT NUMBER	R	DIVIDER TYPE
9212-99	12	90° Outside Elbow
9224-99	24	
9236-99	36	
6212-99	12	60° Outside Elbow
6224-99	24	
6236-99	36	
4712-99	12	45° Outside Elbow
4724-99	24	
4736-99	36	
3212-99	12	30° Outside Elbow
3224-99	24	
3236-99	36	
FASTENER OPTIONS		S6



SAMPLE PART NO. 6M-9212-99-S6



Material: Mill Galvanized Steel (M)
HDGAF Steel (G)
Stainless Steel (T)

Fitting Height: 4, 5, 6, 7"

Furnished with two #10 Stainless Steel Self-Drilling Screws

"Copyright LNCA, Inc. Drawings are proprietary and may not be copied or otherwise duplicated or used without express written permission."

CABCS1526

Legrand/Cablofil
8319 State Rt. 4
Mascoutah, IL 62258 USA
800-658-4641
Fax 618-566-4978
www.legrand.us/cablofil