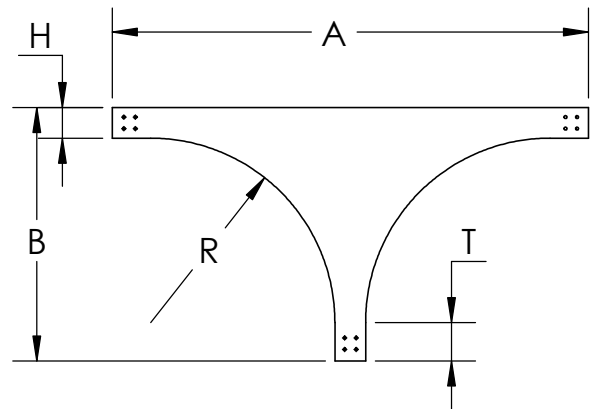
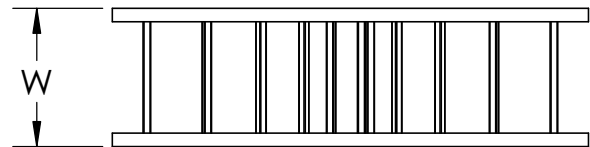
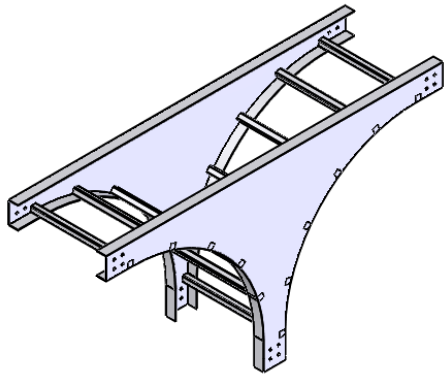




PW Steel Ladder Cable Tray Vertical Fitting

TEE Vertical Tee Down



VERTICAL TEE DOWN CATALOG NUMBERING EXAMPLE

FITTING		SYSTEM NO. PRODUCT NO.	
BOTTOM TYPE	LD - 4G2I - 2124 - 18	WIDTH	
VENTED			06 - 6"
LD - Ladder			09 - 9"
VC! - Vented Corrugated			12 - 12"
NON-VENTED			18 - 18"
SC! - Solid Corrugated			24 - 24"
SF! - Solid Flat Bottom			30 - 30"
I Available for flange in only			36 - 36"
VC/SC Available in steel only			
SF Available in stainless steel only			

MATERIAL		FITTING		FLANGE	
SIDE RAIL	G	SERIES	1 - SERIES 1	DIRECTION	I - Flange In
HEIGHT	L	SERIES	2 - SERIES 2	DIRECTION	O - Flange Out

MATERIAL: STEEL/STAINLESS STEEL

FINISH SUFFIX:

G: HOT DIP GALVANIZED STEEL PER ASTM A123

L: 304 STAINLESS STEEL PER ASTM A-240

T: 316 STAINLESS STEEL PER ASTM A-240

BOTTOM: LD - LADDER

VC - VENTED CORRUGATED

SC - SOLID CORRUGATED

SF - SOLID FLAT BOTTOM

Construction: Welded

Tray Design: Tray constructed and markings are per the latest addition of NEMA Standards Publication VE1, CSA C22.2 No. 126

Connectors: All fittings are supplied with necessary connectors and fasteners

Fitting Heights (H): 4", 5", 6", 7"

Tangents: Series 1 fittings have a 2" tangent
Series 2 fittings have a 5" tangent

PRODUCT NUMBER		W	H	SERIES 1		SERIES 2	
TEE DOWN	RADIUS (IN.)			A	B	A	B
2124 24"		ALL	4	56	30	62	33
			5	57	31	63	34
			6	58	32	64	35
			7	59	33	65	36

"Copyright LNA, Inc. Drawings are proprietary and may not be copied or otherwise duplicated or used without express written permission."

CABCS1523

Legrand
8319 State Rt. 4
Mascoutah, IL 62258 USA
800-658-4641
618-566-3250
Fax 618-566-4978
www.legrand.us/cablofil