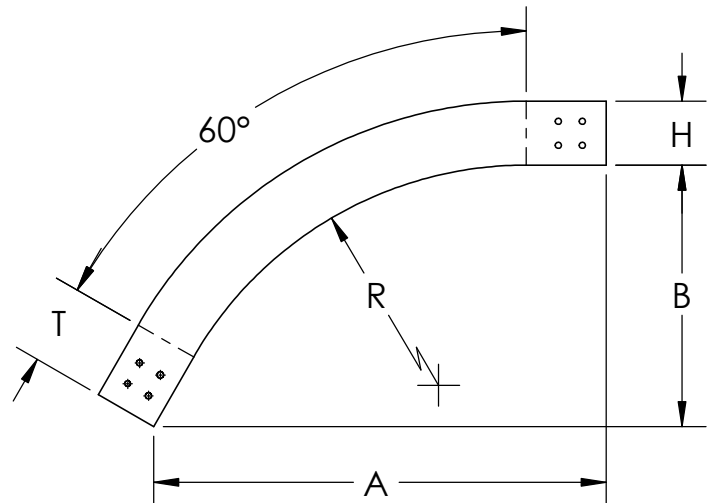
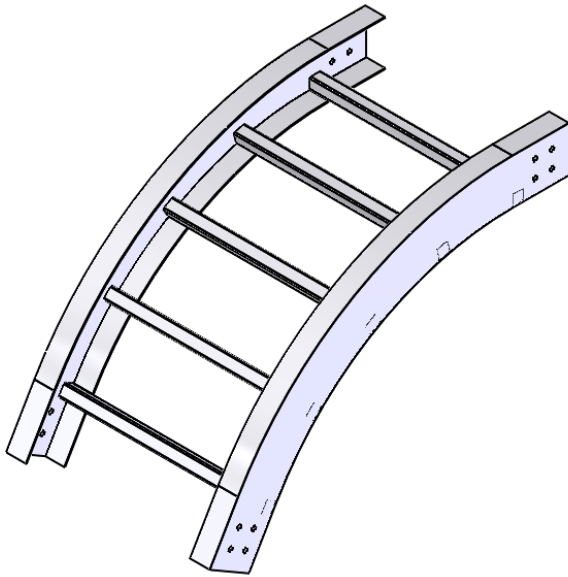




PW Steel Ladder Cable Tray Vertical Fitting

60VO Vertical Outside 60° Elbow



MATERIAL: STEEL/STAINLESS STEEL

FINISH SUFFIX:

G: HOT DIP GALVANIZED STEEL PER ASTM A123

L: 304 STAINLESS STEEL PER ASTM A-240

T: 316 STAINLESS STEEL PER ASTM A-240

BOTTOM: LD - LADDER

VC - VENTED CORRUGATED

SC - SOLID CORRUGATED

SF - SOLID FLAT BOTTOM

Construction: Welded

Tray Design: Tray constructed and markings are per the latest addition of NEMA Standards Publication VE1, CSA C22.2 No. 126

Connectors: All fittings are supplied with necessary connectors and fasteners

Fitting Heights (H): 4", 5", 6", 7"

Tangents: Series 1 fittings have a 2" tangent
Series 2 fittings have a 5" tangent

RAIL HEIGHT (IN.) >		4, 5, 6, 7			
PRODUCT NUMBER	RADIUS (IN.)	SERIES 1		SERIES 2	
		A	B	A	B
6212	12"	13 ¹ / ₂	7 ³ / ₄	18	1 ³ / ₈
6224	24"	23 ⁷ / ₈	13 ³ / ₄	28 ³ / ₈	16 ³ / ₈
6236	36"	34 ¹ / ₄	19 ³ / ₄	38 ³ / ₄	22 ³ / ₈

VERTICAL OUTSIDE CATALOG NUMBERING EXAMPLE					
FITTING					
SYSTEM NO. PRODUCT NO.					
BOTTOM TYPE			WIDTH		
LD - 4G2I - 6224 - 18					
VENTED			06 - 6"		
LD - Ladder			09 - 9"		
VC! - Vented Corrugated			12 - 12"		
NON-VENTED			18 - 18"		
SC! - Solid Corrugated			24 - 24"		
SFI - Solid Flat Bottom			30 - 30"		
! Available for flange in only			36 - 36"		
VC/SC Available in steel only			7 - 7"		
SF Available in stainless steel only					
MATERIAL		FITTING		FLANGE	
SIDE RAIL	G	SERIES	1 - SERIES 1	I - Flange In	24 - 24"
HEIGHT	L	SERIES	2 - SERIES 2	O - Flange Out	30 - 30"
	T				

"Copyright LNA, Inc. Drawings are proprietary and may not be copied or otherwise duplicated or used without express written permission."

CABCS1510

Legrand
8319 State Rt. 4
Mascoutah, IL 62258 USA
800-658-4641
618-566-3250
Fax 618-566-4978
www.legrand.us/cablofil