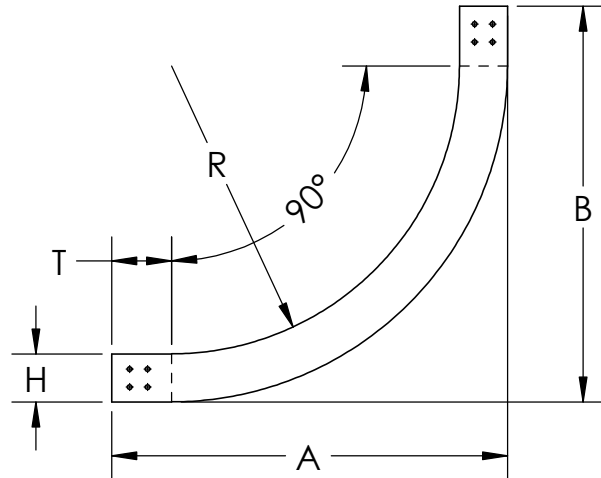
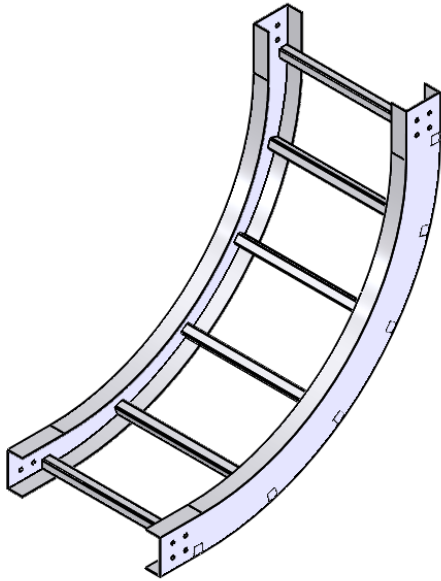




# PW Steel Ladder Cable Tray Vertical Fitting

## 90VI Vertical Inside 90° Elbow



RAIL HEIGHT >			4				5				6				7				
PRODUCT NUMBER	RADIUS (IN.)	R	SERIES 1		SERIES 2		SERIES 1		SERIES 2		SERIES 1		SERIES 2		SERIES 1		SERIES 2		
			A	B	A	B	A	B	A	B	A	B	A	B	A	B			
90°	9112	12	ALL	18	18	21	21	19	19	22	22	20	20	23	23	21	21	24	24
	9124	24	ALL	30	30	33	33	31	31	34	34	32	32	35	35	33	33	36	36
	9136	36	ALL	42	42	45	45	43	43	46	46	44	44	47	47	45	45	48	48

**MATERIAL:** STEEL/STAINLESS STEEL

**FINISH SUFFIX:**

**G:** HOT DIP GALVANIZED STEEL PER ASTM A123

**L:** 304 STAINLESS STEEL PER ASTM A-240

**T:** 316 STAINLESS STEEL PER ASTM A-240

**BOTTOM:** LD - LADDER

VC - VENTED CORRUGATED

SC - SOLID CORRUGATED

SF - SOLID FLAT BOTTOM

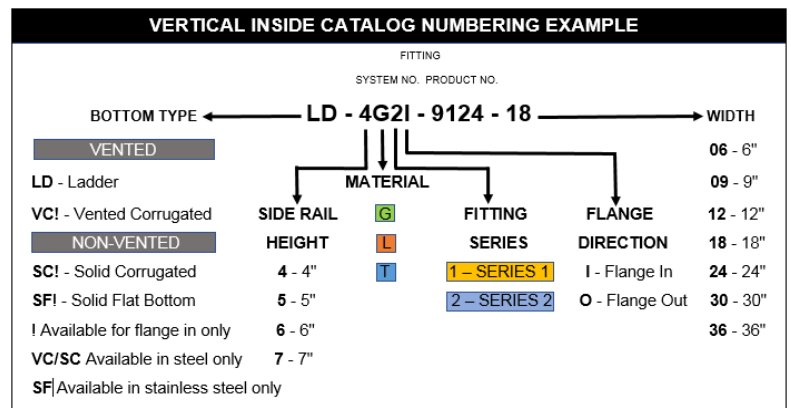
**Construction:** Welded

**Tray Design:** Tray constructed and markings are per the latest addition of NEMA Standards Publication VE1, CSA C22.2 No. 126

**Connectors:** All fittings are supplied with necessary connectors and fasteners

**Fitting Heights (H):** 4", 5", 6", 7"

**Tangents:** Series 1 fittings have a 2" tangent  
Series 2 fittings have a 5" tangent



"Copyright LNA, Inc. Drawings are proprietary and may not be copied or otherwise duplicated or used without express written permission."

CABCS1507

Legrand  
8319 State Rt. 4  
Mascoutah, IL 62258 USA  
800-658-4641  
618-566-3250  
Fax 618-566-4978  
www.legrand.us/cablofil