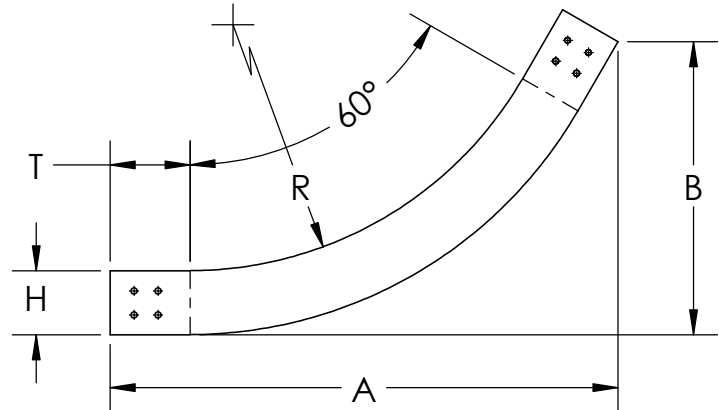
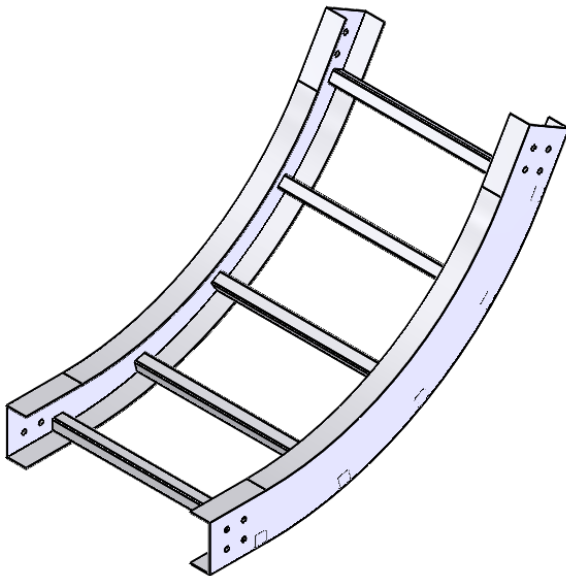




# PW Steel Ladder Cable Tray Vertical Fitting

## 60VI Vertical Inside 60° Elbow



RAIL HEIGHT >			4				5				6				7				
PRODUCT NUMBER	RADIUS (IN.)	W	SERIES 1		SERIES 2		SERIES 1		SERIES 2		SERIES 1		SERIES 2		SERIES 1		SERIES 2		
			A	B	A	B	A	B	A	B	A	B	A	B	A	B			
60"	6112	12	ALL	16 <sup>1</sup> / <sub>4</sub>	9 <sup>3</sup> / <sub>4</sub>	21 <sup>1</sup> / <sub>4</sub>	12 <sup>3</sup> / <sub>4</sub>	17 <sup>1</sup> / <sub>4</sub>	10 <sup>1</sup> / <sub>4</sub>	22 <sup>1</sup> / <sub>4</sub>	12 <sup>7</sup> / <sub>4</sub>	18 <sup>3</sup> / <sub>4</sub>	10 <sup>3</sup> / <sub>4</sub>	23 <sup>1</sup> / <sub>4</sub>	13 <sup>3</sup> / <sub>4</sub>	19 <sup>1</sup> / <sub>2</sub>	11 <sup>1</sup> / <sub>4</sub>	24	13 <sup>3</sup> / <sub>4</sub>
	6124	24	ALL	27 <sup>1</sup> / <sub>4</sub>	15 <sup>1</sup> / <sub>4</sub>	31 <sup>1</sup> / <sub>4</sub>	18 <sup>3</sup> / <sub>4</sub>	28 <sup>1</sup> / <sub>4</sub>	16 <sup>1</sup> / <sub>4</sub>	32 <sup>3</sup> / <sub>4</sub>	18 <sup>7</sup> / <sub>4</sub>	29	16 <sup>3</sup> / <sub>4</sub>	33 <sup>1</sup> / <sub>2</sub>	19 <sup>3</sup> / <sub>4</sub>	29 <sup>3</sup> / <sub>4</sub>	17 <sup>3</sup> / <sub>4</sub>	34 <sup>3</sup> / <sub>4</sub>	19 <sup>3</sup> / <sub>4</sub>
	6136	36	ALL	37 <sup>1</sup> / <sub>4</sub>	21 <sup>1</sup> / <sub>4</sub>	42 <sup>1</sup> / <sub>4</sub>	24 <sup>3</sup> / <sub>4</sub>	38 <sup>3</sup> / <sub>4</sub>	22 <sup>1</sup> / <sub>4</sub>	43 <sup>1</sup> / <sub>4</sub>	24 <sup>7</sup> / <sub>4</sub>	39 <sup>3</sup> / <sub>4</sub>	22 <sup>3</sup> / <sub>4</sub>	43 <sup>3</sup> / <sub>4</sub>	25 <sup>3</sup> / <sub>4</sub>	40 <sup>3</sup> / <sub>4</sub>	23 <sup>3</sup> / <sub>4</sub>	44 <sup>3</sup> / <sub>4</sub>	25 <sup>3</sup> / <sub>4</sub>

**MATERIAL:** STEEL/STAINLESS STEEL

**FINISH SUFFIX:**

**G:** HOT DIP GALVANIZED STEEL PER ASTM A123

**L:** 304 STAINLESS STEEL PER ASTM A-240

**T:** 316 STAINLESS STEEL PER ASTM A-240

**BOTTOM:** LD - LADDER

VC - VENTED CORRUGATED

SC - SOLID CORRUGATED

SF - SOLID FLAT BOTTOM

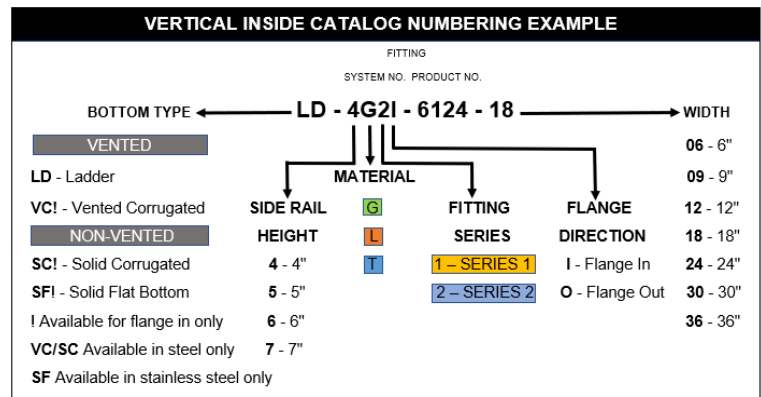
**Construction:** Welded

**Tray Design:** Tray constructed and markings are per the latest addition of NEMA Standards Publication VE1, CSA C22.2 No. 126

**Connectors:** All fittings are supplied with necessary connectors and fasteners

**Fitting Heights (H):** 4", 5", 6", 7"

**Tangents:** Series 1 fittings have a 2" tangent  
Series 2 fittings have a 5" tangent



"Copyright LNA, Inc. Drawings are proprietary and may not be copied or otherwise duplicated or used without express written permission."

CABCS1506

Legrand  
8319 State Rt. 4  
Mascoutah, IL 62258 USA  
800-658-4641  
618-566-3250  
Fax 618-566-4978  
www.legrand.us/cablofil