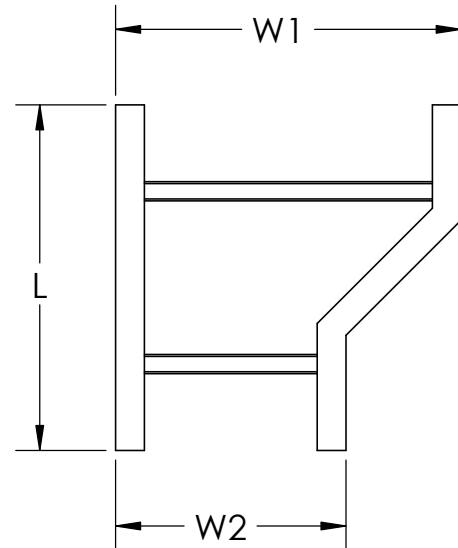
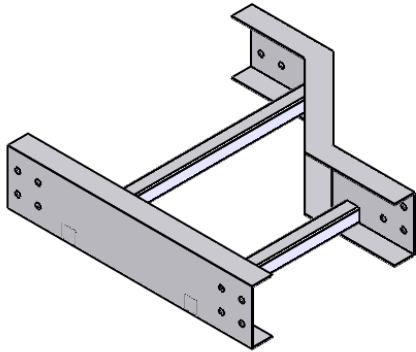




# PW Steel Ladder Cable Tray Horizontal Fitting

## R H REDUCER Horizontal Right Hand Reducer



HORIZONTAL REDUCER CATALOG NUMBERING EXAMPLE				
FITTING				
SYSTEM NO. PRODUCT NO.				
BOTTOM TYPE	LD - 4G2I - 0818 - 12			WIDTH
VENTED				06 - 6"
LD - Ladder				09 - 9"
VC! - Vented Corrugated				12 - 12"
NON-VENTED				18 - 18"
SC! - Solid Corrugated				24 - 24"
SF! - Solid Flat Bottom				30 - 30"
I Available for flange in only				36 - 36"
VC/SC Available in steel only				
SF Available in stainless steel only				
	MATERIAL	FITTING	FLANGE	
	LD - Ladder	G	I - Flange In	
	VC! - Vented Corrugated	L	O - Flange Out	
	SC! - Solid Corrugated	T		
	SF! - Solid Flat Bottom	1 - SERIES 1		
		2 - SERIES 2		

**MATERIAL:** STEEL/STAINLESS STEEL

**FINISH SUFFIX:**

**G:** HOT DIP GALVANIZED STEEL PER ASTM A123

**L:** 304 STAINLESS STEEL PER ASTM A-240

**T:** 316 STAINLESS STEEL PER ASTM A-240

**BOTTOM:** LD - LADDER

VC - VENTED CORRUGATED

SC - SOLID CORRUGATED

SF - SOLID FLAT BOTTOM

**Construction:** Welded

**Tray Design:** Tray constructed and markings are per the latest addition of NEMA Standards Publication VE1, CSA C22.2 No. 126

**Connectors:** All fittings are supplied with necessary connectors and fasteners

**Fitting Heights (H):** 4", 5", 6", 7"

**Fitting Length:** L=12" for Series 1 fittings

L=18" for Series 2 fittings

MAIN WIDTH (IN.) W1	BRANCH WIDTH (IN.) W2	RIGHT HAND
9	6	0809
	9	0812
12	6	0818
	9	0818
	12	0818
18	6	0824
	9	0824
	12	0824
	18	0824
24	6	0830
	9	0830
	12	0830
	18	0830
	24	0830
30	6	0836
	9	0836
	12	0836
	18	0836
	24	0836
	30	0836

"Copyright LNA, Inc. Drawings are proprietary and may not be copied or otherwise duplicated or used without express written permission."

CABCS1516

Legrand  
8319 State Rt. 4  
Mascoutah, IL 62258 USA  
800-658-4641  
618-566-3250  
Fax 618-566-4978  
www.legrand.us/cablofil