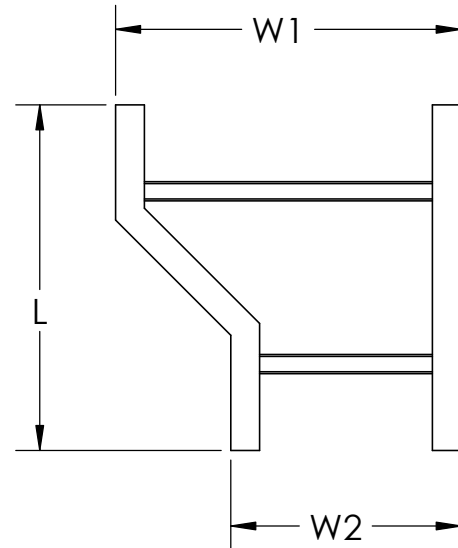
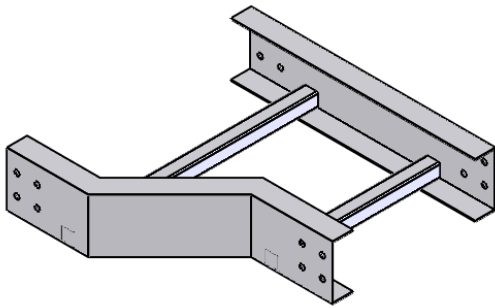




PW Steel Ladder Cable Tray Horizontal Fitting

L H REDUCER Horizontal Left Hand Reducer



HORIZONTAL REDUCER CATALOG NUMBERING EXAMPLE					
FITTING					
SYSTEM NO. PRODUCT NO.					
BOTTOM TYPE	LD - 4G2I - 0718 - 12				WIDTH
VENTED					06 - 6"
LD - Ladder					09 - 9"
VC! - Vented Corrugated					12 - 12"
NON-VENTED					18 - 18"
SC! - Solid Corrugated					24 - 24"
SFI - Solid Flat Bottom					30 - 30"
I Available for flange in only					36 - 36"
VC/SC Available in steel only					
SF Available in stainless steel only					

MATERIAL					
SIDE RAIL	G	FITTING	FLANGE		
HEIGHT	L	SERIES	DIRECTION		
4 - 4"	T	1 - SERIES 1	I - Flange In		
5 - 5"		2 - SERIES 2	O - Flange Out		
6 - 6"					
7 - 7"					

MATERIAL: STEEL/STAINLESS STEEL

FINISH SUFFIX:

G: HOT DIP GALVANIZED STEEL PER ASTM A 123

L: 304 STAINLESS STEEL PER ASTM A-240

T: 316 STAINLESS STEEL PER ASTM A-240

BOTTOM: LD - LADDER

VC - VENTED CORRUGATED

SC - SOLID CORRUGATED

SF - SOLID FLAT BOTTOM

Construction: Welded

Tray Design: Tray constructed and markings are per the latest addition of NEMA Standards Publication VE1, CSA C22.2 No. 126

Connectors: All fittings are supplied with necessary connectors and fasteners

Fitting Heights (H): 4", 5", 6", 7"

Fitting Length: L=12" for Series 1 fittings
L=18" for Series 2 fittings

MAIN WIDTH (IN.) W1	BRANCH WIDTH (IN.) W2	LEFT HAND
9	6	0709
	9	0712
12	6	0718
	9	0718
	12	0718
18	6	0724
	9	0724
	12	0724
	18	0724
24	6	0730
	9	0730
	12	0730
	18	0730
	24	0730
30	6	0736
	9	0736
	12	0736
	18	0736
	24	0736
36	6	0736
	9	0736
	12	0736
	18	0736
	24	0736
	30	0736

"Copyright LNA, Inc. Drawings are proprietary and may not be copied or otherwise duplicated or used without express written permission."

CABCS1515

Legrand
8319 State Rt. 4
Mascoutah, IL 62258 USA
800-658-4641
618-566-3250
Fax 618-566-4978
www.legrand.us/cablofil