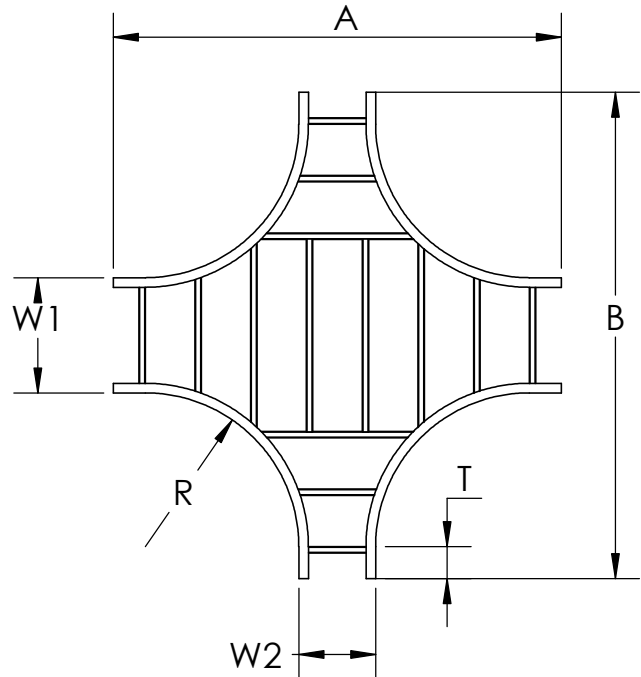
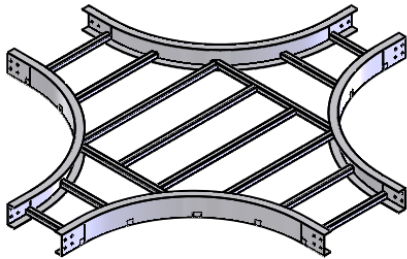




PW Steel Ladder Cable Tray Horizontal Fitting

CROSS Horizontal Reducing Cross



REDUCING CROSS CATALOG NUMBERING EXAMPLE				
FITTING				
SYSTEM NO. PRODUCT NO.				
BOTTOM TYPE	LD - 4G2I - 1024 - 1812			WIDTH
VENTED				06 - 6"
LD - Ladder				09 - 9"
VC! - Vented Corrugated				12 - 12"
NON-VENTED				18 - 18"
SC! - Solid Corrugated				24 - 24"
SFI - Solid Flat Bottom				30 - 30"
! Available for flange in only				36 - 36"
VC/SC Available in steel only				
SF Available in stainless steel only				

MATERIAL				
SIDE RAIL	HEIGHT	FITTING	SERIES	FLANGE DIRECTION
G	L	I	1 - SERIES 1	I - Flange In
L	I	O	2 - SERIES 2	O - Flange Out

MATERIAL: STEEL/STAINLESS STEEL

FINISH SUFFIX:

G: HOT DIP GALVANIZED STEEL PER ASTM A123

L: 304 STAINLESS STEEL PER ASTM A-240

T: 316 STAINLESS STEEL PER ASTM A-240

BOTTOM: LD - LADDER

VC - VENTED CORRUGATED

SC - SOLID CORRUGATED

SF - SOLID FLAT BOTTOM

Construction: Welded

Tray Design: Tray constructed and markings are per the latest addition of NEMA Standards Publication VE1, CSA C22.2 No. 126

Connectors: All fittings are supplied with necessary connectors and fasteners

Fitting heights (H): 4", 5", 6", 7"

Tangents: Series 1 fittings have a 2" tangent
Series 2 fittings have a 5" tangent

MAIN WIDTH W1	BRANCH WIDTH W2	PROD. NUM. RADIUS	SERIES 1		SERIES 2		PROD. NUM. RADIUS	SERIES 1		SERIES 2		PROD. NUM. RADIUS	SERIES 1		SERIES 2			
			A	B	A	B		A	B	A	B		A	B	A	B		
9	6	1012 12"	34	37	40	43	1024 24"	58	61	64	67	1036 36"	82	85	88	91		
	12		34	40	40	46		58	64	64	70		82	88	88	94		
9	37		40	43	46	61		64	67	70	85		88	91	94			
18	6		34	46	40	52		58	70	64	76		82	94	88	100		
	9		37	46	43	52		61	70	67	76		85	94	91	100		
24	12		40	46	46	52		64	70	70	76		88	94	94	100		
	6		34	52	40	58		58	76	64	82		82	100	88	106		
	9		37	52	43	58		61	76	67	82		85	100	91	106		
	12		40	52	46	58		64	76	70	82		88	100	94	106		
30	6		34	58	40	64		1024 24"	58	82	64		88	1036 36"	82	106	88	112
	9		37	58	43	64		61	82	67	88		85	106	91	112		
	12		40	58	46	64		64	82	70	88		88	106	94	112		
	18	46	58	52	64	70	82	76	88	94	106	100	112					
36	24	52	58	58	64	76	82	82	88	100	106	106	112					
	6	34	64	40	70	58	88	64	94	82	112	88	118					
	9	37	64	43	70	61	88	67	94	85	112	91	118					
	12	40	64	46	70	64	88	70	94	88	112	94	118					
	18	46	64	52	70	70	88	76	94	94	112	100	118					
	24	52	64	58	70	76	88	82	94	100	112	106	118					
30	58	64	64	70	82	88	88	94	106	112	112	118						

"Copyright LNA, Inc. Drawings are proprietary and may not be copied or otherwise duplicated or used without express written permission."

CABCS1513

Legrand
8319 State Rt. 4
Mascoutah, IL 62258 USA
800-658-4641
618-566-3250
Fax 618-566-4978
www.legrand.us/cablofil