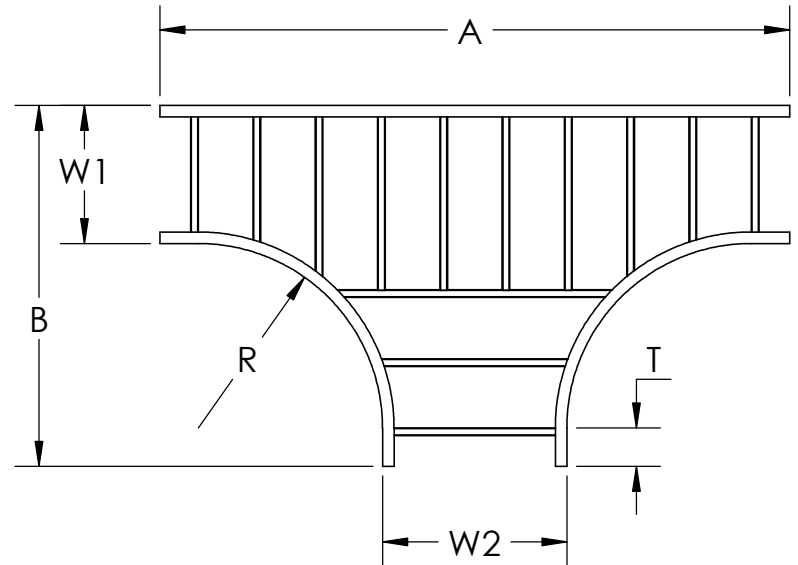
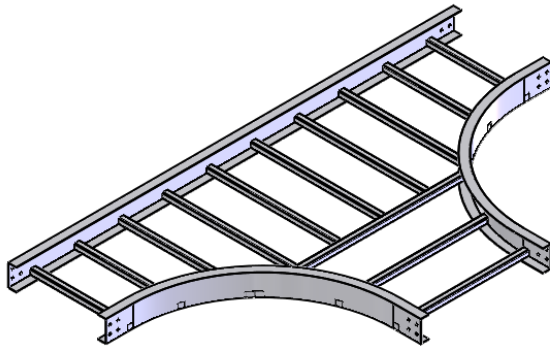




PW Steel Ladder Cable Tray Horizontal Fitting

TEE Horizontal Expanding Tee



| EXPANDING TEE CATALOG NUMBERING EXAMPLE | | | | |
|---|-------------------------|----------|--------------|----------|
| FITTING | | | | |
| SYSTEM NO. PRODUCT NO. | | | | |
| BOTTOM TYPE | LD - 4G2I - 2024 - 1824 | | | WIDTH |
| VENTED | | | | 06 - 6" |
| LD - Ladder | | | | 09 - 9" |
| VC! - Vented Corrugated | SIDE RAIL | MATERIAL | FITTING | FLANGE |
| NON-VENTED | HEIGHT | L | 1 - SERIES 1 | 12 - 12" |
| SC! - Solid Corrugated | 4 - 4" | I | 2 - SERIES 2 | 18 - 18" |
| SF! - Solid Flat Bottom | 5 - 5" | | | 24 - 24" |
| I Available for flange in only | 6 - 6" | | | 30 - 30" |
| VC/SC Available in steel only | 7 - 7" | | | 36 - 36" |
| SF Available in stainless steel only | | | | |

MATERIAL: STEEL/STAINLESS STEEL

FINISH SUFFIX:

G: HOT DIP GALVANIZED STEEL PER ASTM A123

L: 304 STAINLESS STEEL PER ASTM A-240

T: 316 STAINLESS STEEL PER ASTM A-240

BOTTOM: LD - LADDER

VC - VENTED CORRUGATED

SC - SOLID CORRUGATED

SF - SOLID FLAT BOTTOM

Construction: Welded

Tray Design: Tray constructed and markings are per the latest addition of NEMA Standards Publication VE1, CSA C22.2 No. 126

Connectors: All fittings are supplied with necessary connectors and fasteners

Fitting Heights (H): 4", 5", 6", 7"

Tangents: Series 1 fittings have a 2" tangent
Series 2 fittings have a 5" tangent

| MAIN WIDTH W1 | BRANCH WIDTH W2 | PRODUCT NUMBER RADIUS (IN.) | SERIES1 | | SERIES2 | | PRODUCT NUMBER RADIUS (IN.) | SERIES1 | | SERIES2 | | PRODUCT NUMBER RADIUS (IN.) | SERIES1 | | SERIES2 | |
|---------------|-----------------|-----------------------------|---------|----|---------|----|-----------------------------|---------|----|---------|----|-----------------------------|---------|----|---------|----|
| | | | A | B | A | B | | A | B | A | B | | A | B | | |
| 6 | 9 | 2012 12" | 37 | 20 | 43 | 23 | 2024 24" | 61 | 32 | 67 | 35 | 2036 36" | 85 | 44 | 91 | 47 |
| | 12 | | 40 | 20 | 46 | 23 | | 64 | 32 | 70 | 35 | | 88 | 44 | 94 | 47 |
| | 18 | | 46 | 20 | 52 | 23 | | 70 | 32 | 76 | 35 | | 94 | 44 | 100 | 47 |
| | 24 | | 52 | 20 | 58 | 23 | | 76 | 32 | 82 | 35 | | 100 | 44 | 106 | 47 |
| | 30 | | 58 | 20 | 64 | 23 | | 82 | 32 | 88 | 35 | | 106 | 44 | 112 | 47 |
| | 36 | | 64 | 20 | 70 | 23 | | 88 | 32 | 94 | 35 | | 112 | 44 | 118 | 47 |
| 9 | 12 | 2012 12" | 40 | 23 | 46 | 26 | 2024 24" | 64 | 35 | 70 | 38 | 2036 36" | 88 | 47 | 94 | 50 |
| | 18 | | 46 | 23 | 52 | 26 | | 70 | 35 | 76 | 38 | | 94 | 47 | 100 | 50 |
| | 24 | | 52 | 23 | 58 | 26 | | 76 | 35 | 82 | 38 | | 100 | 47 | 106 | 50 |
| | 30 | | 58 | 23 | 64 | 26 | | 82 | 35 | 88 | 38 | | 106 | 47 | 112 | 50 |
| 12 | 18 | 2012 12" | 46 | 26 | 52 | 29 | 2024 24" | 70 | 38 | 76 | 41 | 2036 36" | 94 | 50 | 100 | 53 |
| | 24 | | 52 | 26 | 58 | 29 | | 76 | 38 | 82 | 41 | | 100 | 50 | 106 | 53 |
| | 30 | | 58 | 26 | 64 | 29 | | 82 | 38 | 88 | 41 | | 106 | 50 | 112 | 53 |
| | 36 | | 64 | 26 | 70 | 29 | | 88 | 38 | 94 | 41 | | 112 | 50 | 118 | 53 |
| 18 | 24 | 2012 12" | 52 | 32 | 58 | 35 | 2024 24" | 76 | 44 | 82 | 47 | 2036 36" | 100 | 56 | 106 | 59 |
| | 30 | | 58 | 32 | 64 | 35 | | 82 | 44 | 88 | 47 | | 106 | 56 | 112 | 59 |
| | 36 | | 64 | 32 | 70 | 35 | | 88 | 44 | 94 | 47 | | 112 | 56 | 118 | 59 |
| | 42 | | 70 | 32 | 76 | 35 | | 94 | 44 | 100 | 47 | | 118 | 56 | 124 | 59 |
| 24 | 30 | 2012 12" | 58 | 38 | 64 | 41 | 2024 24" | 82 | 50 | 88 | 53 | 2036 36" | 106 | 62 | 112 | 65 |
| | 36 | | 64 | 38 | 70 | 41 | | 88 | 50 | 94 | 53 | | 112 | 62 | 118 | 65 |
| | 42 | | 70 | 38 | 76 | 41 | | 94 | 50 | 100 | 53 | | 118 | 62 | 124 | 65 |
| | 48 | | 76 | 38 | 82 | 41 | | 100 | 50 | 106 | 53 | | 124 | 62 | 130 | 65 |
| 30 | 36 | 2012 12" | 64 | 44 | 70 | 47 | 2024 24" | 88 | 56 | 94 | 59 | 2036 36" | 112 | 68 | 118 | 71 |
| | 42 | | 70 | 44 | 76 | 47 | | 94 | 56 | 100 | 59 | | 124 | 68 | 130 | 71 |

"Copyright LNA, Inc. Drawings are proprietary and may not be copied or otherwise duplicated or used without express written permission."

Legrand
8319 State Rt. 4
Mascoutah, IL 62258 USA
800-658-4641
618-566-3250
Fax 618-566-4978
www.legrand.us/cablofil

CABCS1519