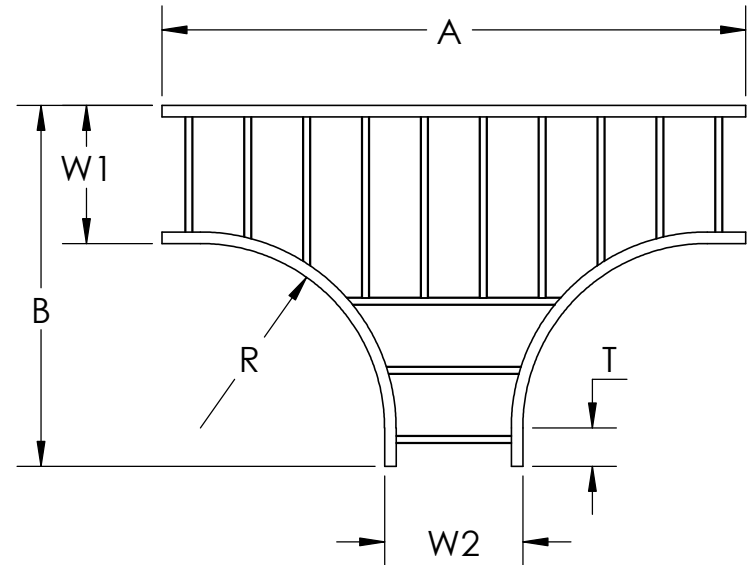
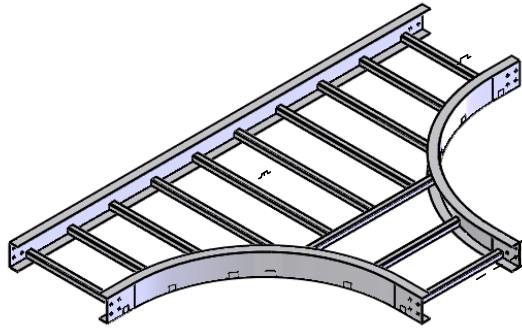




PW Steel Ladder Cable Tray Horizontal Fitting

TEE Horizontal Reducing Tee



REDUCING TEE CATALOG NUMBERING EXAMPLE				
FITTING				
SYSTEM NO. PRODUCT NO.				
BOTTOM TYPE	LD - 4G2I - 2024 - 1812			WIDTH
VENTED				06 - 6"
LD - Ladder				09 - 9"
VC! - Vented Corrugated				12 - 12"
NON-VENTED				18 - 18"
SC! - Solid Corrugated				24 - 24"
SF! - Solid Flat Bottom				30 - 30"
I Available for flange in only				36 - 36"
VC/SC Available in steel only				
SF Available in stainless steel only				

MATERIAL				
SIDE RAIL	HEIGHT	SERIES	DIRECTION	
G	L	1 - SERIES 1	I - Flange In	
T		2 - SERIES 2	O - Flange Out	

MATERIAL: STEEL/STAINLESS STEEL

FINISH SUFFIX:

G: HOT DIP GALVANIZED STEEL PER ASTM A123

L: 304 STAINLESS STEEL PER ASTM A-240

T: 316 STAINLESS STEEL PER ASTM A-240

BOTTOM: LD - LADDER

VC - VENTED CORRUGATED

SC - SOLID CORRUGATED

SF - SOLID FLAT BOTTOM

Construction: Welded

Tray Design: Tray constructed and markings are per the latest addition of NEMA Standards Publication VE1, CSA C22.2 No. 126

Connectors: All fittings are supplied with necessary connectors and fasteners

Fitting Heights (H): 4", 5", 6", 7"

Tangents: Series 1 fittings have a 2" tangent
Series 2 fittings have a 5" tangent

MAIN WIDTH W1	BRANCH WIDTH W2	PRODUCT NUMBER RADIUS (IN.)	SERIES1		SERIES2		PRODUCT NUMBER RADIUS (IN.)	SERIES1		SERIES2		PRODUCT NUMBER RADIUS (IN.)	SERIES1		SERIES2	
			A	B	A	B		A	B	A	B		A	B		
9	6	2012 12"	34	23	40	26	2024 24"	58	35	64	38	2036 36"	82	47	88	50
	6		34	26	40	29		58	38	64	41		82	50	88	53
12	9		37	26	43	29		61	38	67	41		85	50	91	53
	6		36	32	40	35		58	44	64	47		82	56	88	59
18	9		37	32	43	35		61	44	67	47		85	56	91	59
	12		40	32	46	35		64	44	70	47		88	56	94	59
24	6		36	38	40	41		58	50	64	53		82	62	88	65
	9		37	38	43	41		61	50	67	53		85	62	91	65
30	12		40	38	46	41		64	50	70	53		88	62	94	65
	18		46	38	52	41		70	50	76	53		94	62	100	65
36	6		34	44	40	47		58	56	64	59		82	68	88	71
	9		37	44	43	47		61	56	67	59		85	68	91	71
24	12	40	44	46	47	64	56	70	59	88	68	94	71			
	18	46	44	52	47	70	56	76	59	94	68	100	71			
6	52	44	58	47	76	56	82	59	100	68	106	71				
	6	34	50	40	53	58	62	64	65	82	74	88	77			
9	37	50	43	53	61	62	67	65	85	74	91	77				
	12	40	50	46	53	64	62	70	65	88	74	94	77			
18	46	50	52	53	70	62	76	65	94	74	100	77				
	24	52	50	58	53	76	62	82	65	100	74	106	77			
30	58	50	64	53	82	62	88	65	106	74	112	77				

"Copyright LNA, Inc. Drawings are proprietary and may not be copied or otherwise duplicated or used without express written permission."

CABCS1518

Legrand
8319 State Rt. 4
Mascoutah, IL 62258 USA
800-658-4641
618-566-3250
Fax 618-566-4978
www.legrand.us/cablofil