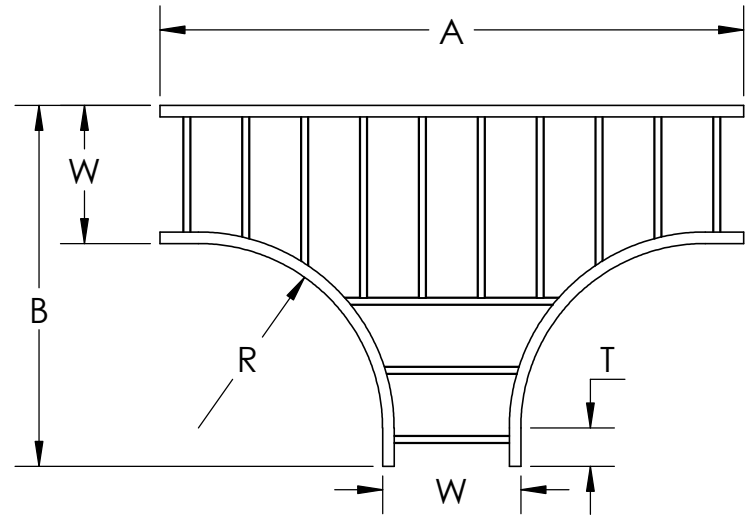
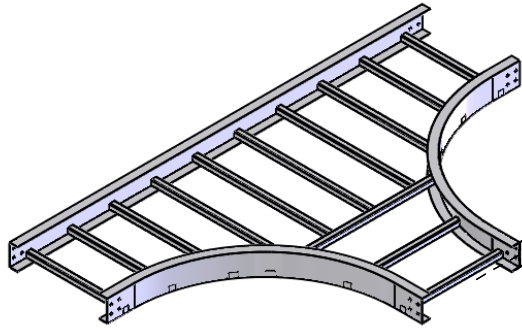




# PW Steel Ladder Cable Tray Horizontal Fitting

## TEE Horizontal Tee



HORIZONTAL TEE CATALOG NUMBERING EXAMPLE					
FITTING					
SYSTEM NO. PRODUCT NO.					
BOTTOM TYPE		LD - 4G2I - 2024 - 18		WIDTH	
VENTED				06 - 6"	
LD - Ladder				09 - 9"	
VC! - Vented Corrugated				12 - 12"	
NON-VENTED				18 - 18"	
SC! - Solid Corrugated				24 - 24"	
SF! - Solid Flat Bottom				30 - 30"	
! Available for flange in only				36 - 36"	
VC/SC Available in steel only					
SF Available in stainless steel only					
MATERIAL					
SIDE RAIL		G	FITTING		FLANGE
HEIGHT		L	SERIES		DIRECTION
4 - 4"		I	1 - SERIES 1		I - Flange In
5 - 5"			2 - SERIES 2		O - Flange Out

**MATERIAL:** STEEL/STAINLESS STEEL

**FINISH SUFFIX:**

**G:** HOT DIP GALVANIZED STEEL PER ASTM A123

**L:** 304 STAINLESS STEEL PER ASTM A-240

**T:** 316 STAINLESS STEEL PER ASTM A-240

**BOTTOM:** LD - LADDER

VC - VENTED CORRUGATED

SC - SOLID CORRUGATED

SF - SOLID FLAT BOTTOM

**Construction:** Welded

**Tray Design:** Tray constructed and markings are per the latest addition of NEMA Standards Publication VE1, CSA C22.2 No. 126

**Connectors:** All fittings are supplied with necessary connectors and fasteners

**Fitting Heights (H):** 4", 5", 6", 7"

**Tangents:** Series 1 fittings have a 2" tangent  
Series 2 fittings have a 5" tangent

PRODUCT NUMBER RADIUS (IN.)	W	SERIES1		SERIES2	
		A	B	A	B
2012 12"	6	34	20	40	23
	9	37	23	43	26
	12	40	26	46	29
	18	46	32	52	35
	24	52	38	58	41
	30	58	44	64	47
2024 24"	6	58	32	64	35
	9	61	35	67	38
	12	64	38	70	41
	18	70	44	76	47
	24	76	50	82	53
	30	82	56	88	59
2036 36"	6	82	44	88	47
	9	85	47	91	50
	12	88	50	94	53
	18	94	56	100	59
	24	100	62	106	65
	30	106	68	112	71
36	112	74	118	77	

"Copyright LNA, Inc. Drawings are proprietary and may not be copied or otherwise duplicated or used without express written permission."

Legrand  
8319 State Rt. 4  
Mascoutah, IL 62258 USA  
800-658-4641  
618-566-3250  
Fax 618-566-4978  
www.legrand.us/cablofil

CABCS1517