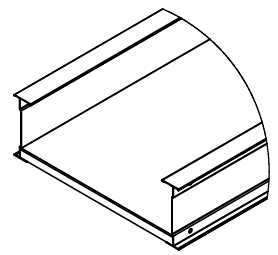
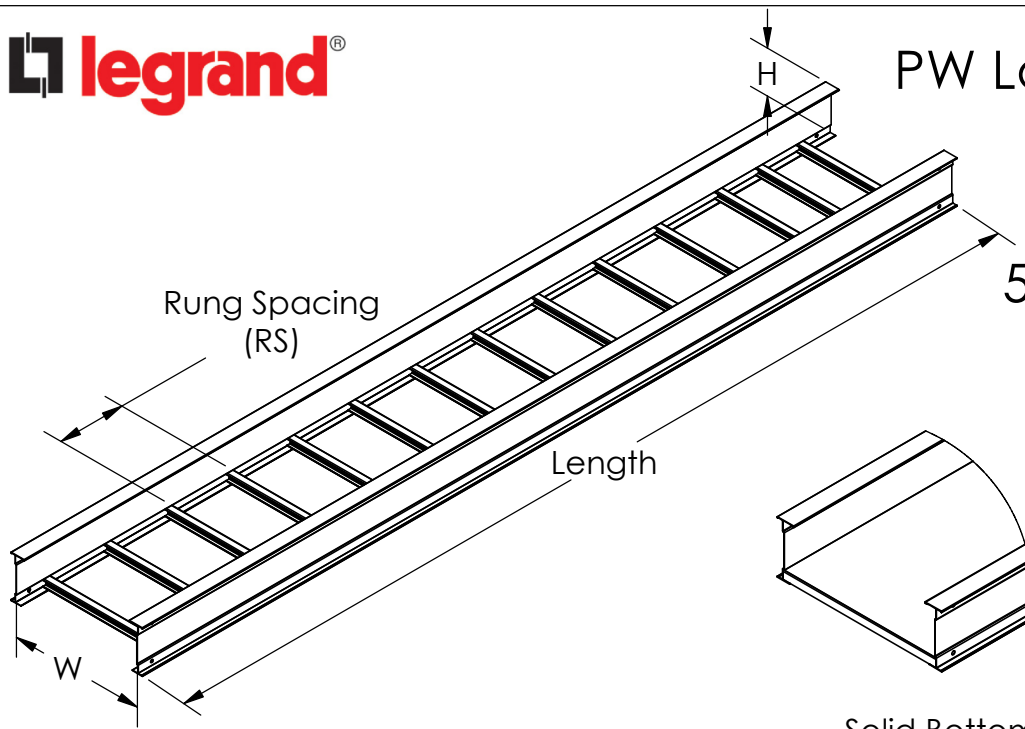




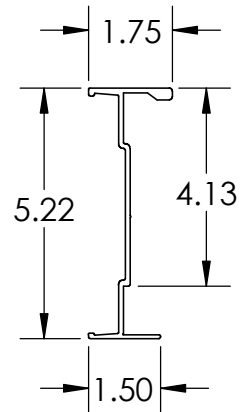
# PW Ladder Cable Tray Straight Section

## 5A20B

### 5"(H) Side Rail Tray



Solid Bottom (SB)



Overall Width:  $W + 1.5"$

Tray Width (W)	Tray Weight * (LBS./FT.)
6	2.12
9	2.19
12	2.27
18	2.42
24	2.73
30	2.92
36	3.11

\* Based on 9" Rung Spacing

- **Material:** Aluminum Alloy 6063-T6
- **Finish:** Plain
- **Bottom:** Ldr: 1" wide I rung  
SB: Flat Sheet over 12" Rung Spacing
- **Construction:** Welded
- **Tray Design:** Tray construction and markings are per the latest edition of NEMA Standards Publication VE1, CSA C22.2 No. 126.
- **Tray Grounding Capability:** Classified as an equipment grounding conductor per NEC 392.60 with a maximum 1600 ampere rating. UL Cross Sectional area: 1.50 in<sup>2</sup>
- **Connectors:** Supplied in pairs with hardware. Splice resistance is less than 0.00033 ohms.
- **Mechanical Properties:**  
One rail:  $I_x-x = 3.344 \text{ in}^4$ ,  $S_x-x = 1.146 \text{ in}^3$

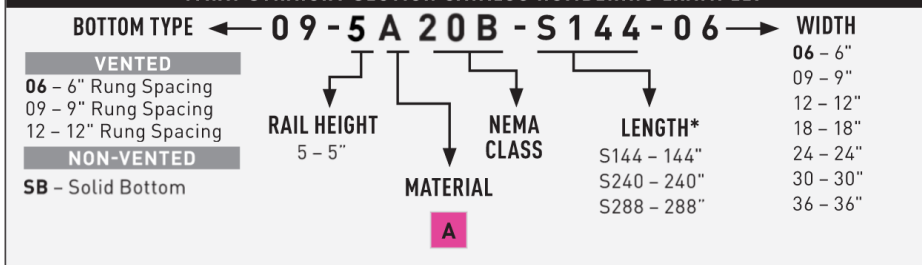
#### SUPPORT SPAN (FT.)

6	8	10	12	14	16	18	20	22	24	26	28	30
---	---	----	----	----	----	----	----	----	----	----	----	----

#### SAFE LOAD DATA (LBS./FT.) / DEFLECTION (IN.) / SAFETY FACTOR 1.5

	410	0.62	332	1.22	231	1.76	169	2.40	130	3.13	102	3.96	83	4.89	67	5.92	55	7.04				
--	-----	------	-----	------	-----	------	-----	------	-----	------	-----	------	----	------	----	------	----	------	--	--	--	--

#### ITRAY STRAIGHT SECTION CATALOG NUMBERING EXAMPLE:



**Legrand**  
8319 State Route 4  
Mascoutah, IL 62258 USA  
800-658-4641  
618-566-3230  
Fax 618-566-3250  
www.legrand.us/cablofil

