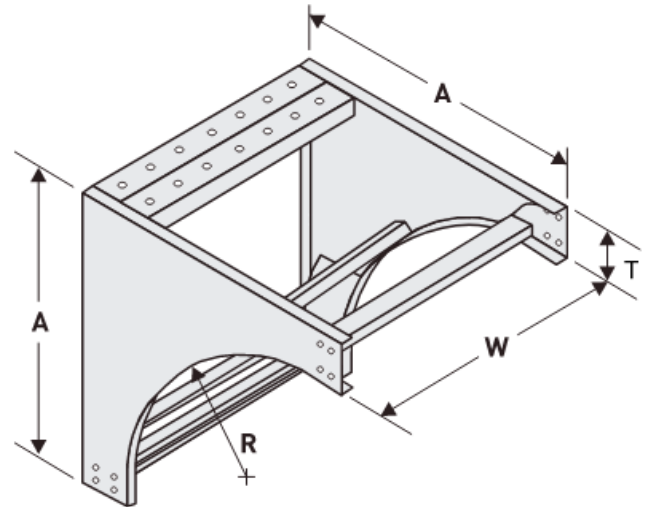
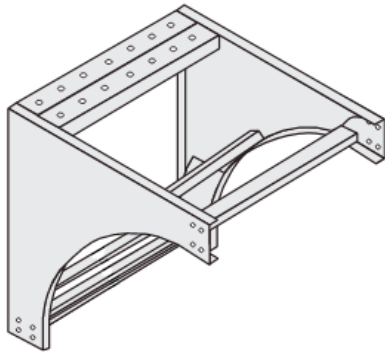




PW Steel Ladder Cable Tray Vertical Fitting

ELBOW Vertical 90 Support Elbow



VERTICAL 90 SUPPORT ELBOW BRANCH CATALOG NUMBERING EXAMPLE				
FITTING				
SYSTEM NO. PRODUCT NO.				
BOTTOM TYPE	LD - 4G2I - 9324 - 18			WIDTH
VENTED				06 - 6"
LD - Ladder				09 - 9"
VC! - Vented Corrugated				12 - 12"
NON-VENTED				18 - 18"
SC! - Solid Corrugated				24 - 24"
SFI - Solid Flat Bottom				30 - 30"
! Available for flange in only				36 - 36"
VC/SC Available in steel only				
SF Available in stainless steel only				

MATERIAL				
SIDE RAIL	FITTING	FLANGE	DIRECTION	
G	2 - SERIES 2	I - Flange In		
L		O - Flange Out		
T				

MATERIAL: STEEL/STAINLESS STEEL

FINISH SUFFIX:

G: HOT DIP GALVANIZED STEEL PER ASTM A123

L: 304 STAINLESS STEEL PER ASTM A-240

T: 316 STAINLESS STEEL PER ASTM A-240

BOTTOM: LD - LADDER

VC - VENTED CORRUGATED

SC - SOLID CORRUGATED

SF - SOLID FLAT BOTTOM

Construction: Welded

Tray Design: Tray constructed and markings are per the latest addition of NEMA Standards Publication VE1, CSA C22.2 No. 126

Connectors: All fittings are supplied with necessary connectors and fasteners

Fitting Heights (H): 4", 5", 6", 7"

Tangents: Series 2 fittings have a 5" tangent

PRODUCT NUMBER RADIUS	W	H	SERIES 2
			A
9324 24"	ALL	4	33
		5	34
		6	35
		7	36

"Copyright LNA, Inc. Drawings are proprietary and may not be copied or otherwise duplicated or used without express written permission."

CABCS1525

Legrand
8319 State Rt. 4
Mascoutah, IL 62258 USA
800-658-4641
618-566-3250
Fax 618-566-4978
www.legrand.us/cablofil