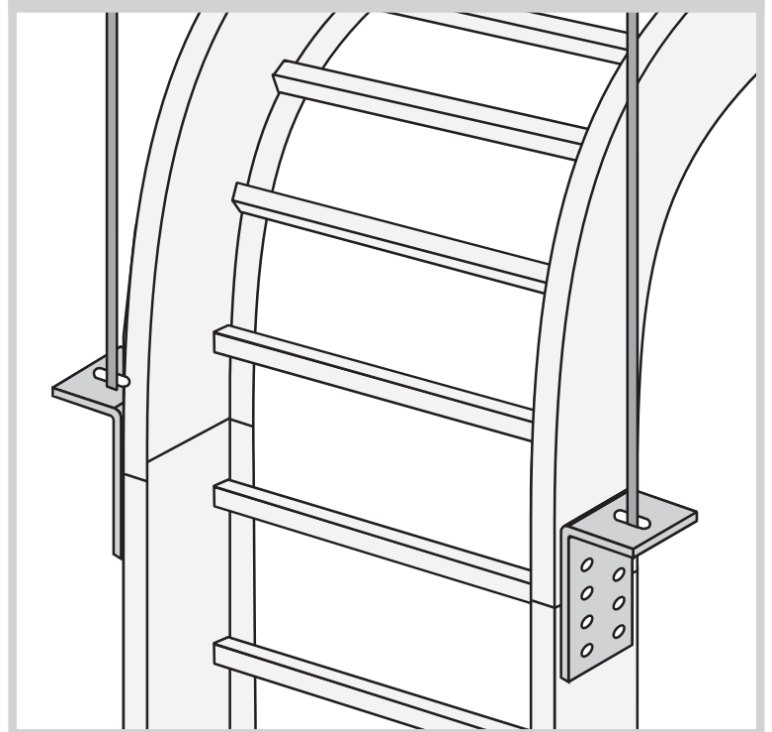
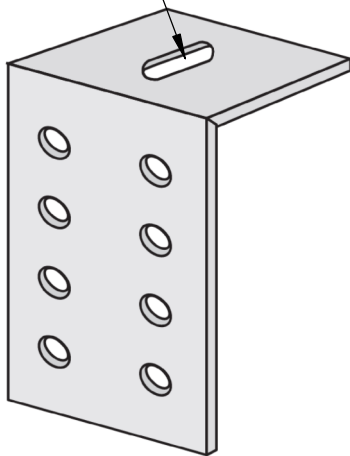


#### VERTICAL HANGER SPLICE

G T

HOLE SIZED FOR 1/2" THREADED ROD



CONNECTOR DESIGNED TO FIT BOTH SERIES 1 & 2 SYSTEMS. WHEN ORDERING, HOWEVER, THEY SHOULD BE SPECIFIED AS SERIES 2.

PRODUCT NUMBER	FASTENER OPTIONS
0356	GE S6
CATALOG NUMBERING EXAMPLE:	
Connector System No.	Fasteners
6 G 2 - 0356	- S 6

- **Material:** Hot-Dipped Galvanized (G), 316L Stainless Steel (T)
- **Fasteners:** Geomet (GE), 316L Stainless Steel (S6)
- **Height (H):** Tray height: 4", 5", 6", 7"
- **Torque:** 19 - 25 ft-lbs